

# D-Subminiature

## 557-110 EMI Backshell

- Solid EMI Backshell, .25" Flange
- Cone-and-Ring Shield Termination
- Saddle Clamp Strain Relief



**T** Top Entry

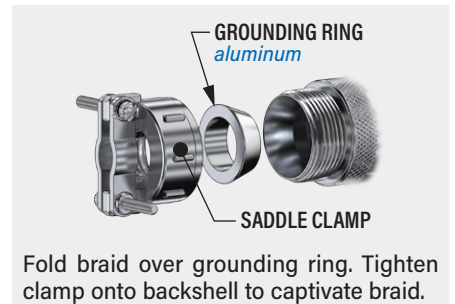


**S** Side Entry



**E** End Entry

### CONE-AND-RING SHIELD TERMINATION



**557-110**  
This accessory fits D-Subminiature M24308 connectors.  
Not compatible with Series 28 HiPer-D

One piece, Cone-and-ring shield termination, saddle clamp, .25 (6.4) flange. 557-110 aluminum backshell fits M24308 D-Subminiature connectors. Grounding ring shield termination. Three screwlock options: male socket head, male extended length, or fixed female hex posts. Aluminum with stainless steel screws and clips.

### TABLE 1 SCREWLOCK OPTIONS

<b>C</b>	<b>F</b>
4-40 Socket Head Male Screwlocks With Clips	4-40 Female Screwlocks (fixed, non-rotating)
<b>E</b>	
4-40 Extended Length Slotted Male Screwlocks With Clips	

### PART NUMBER

Sample PN →	<b>557T110</b>	<b>M</b>	<b>3</b>	<b>F</b>	<b>03</b>	<b>C</b>
Base P/N	<b>557E110</b> <b>E</b> End Entry					
	<b>557S110</b> <b>S</b> Side Entry					
	<b>557T110</b> <b>T</b> Top Entry					
Finish	<b>TZ</b> Tin-Zinc					
	<b>MN</b> MegaNickel					
	<b>JF</b> Cadmium, Yel. Chromate					
	<b>M</b> Electroless Nickel					
	<b>NF</b> Olive Drab Cadmium					
	<b>MT</b> Nickel-PTFE					
	<b>ZR</b> Black Zinc-Nickel					
Shell Size	<b>1 2 3 4 5 6</b>					
Strain Relief	<b>F</b> Saddle Clamp					
Entry Size	Entry Size	Cable Range		Shell Size		
		Min	Max			
	<b>02</b>	.125 (3.2)	.250 (6.4)	1-6		
	<b>03</b>	.250 (6.4)	.375 (9.5)	1-6		
	<b>04</b>	.312 (7.9)	.500 (12.7)	1-6		
	<b>05</b>	.375 (9.5)	.625 (15.9)	6		
Screwlocks (Table 1)	<b>Omit</b> #4-40 Tapped Holes					
	<b>C</b> Socket Head Male Screwlocks					
	<b>E</b> Extended Slotted Male Screwlock (Profiles <b>S T</b> only)					
	<b>P</b> Female Screwlocks (fixed)					

D-SUBMINIATURE ACCESSORIES

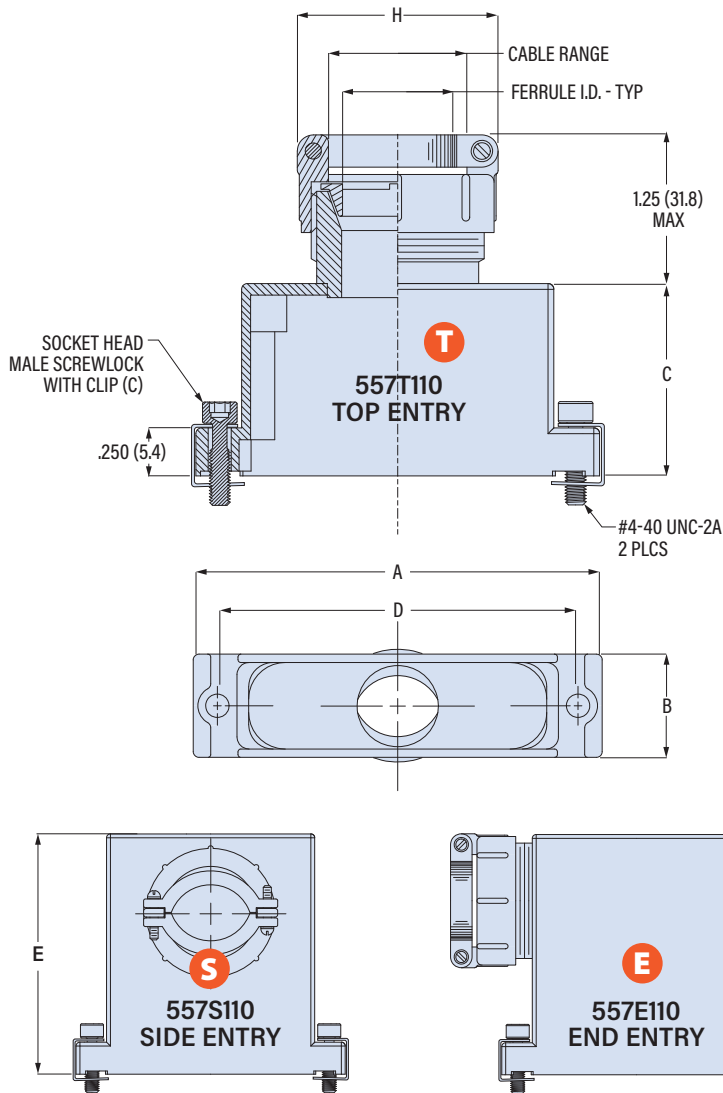
# D-Subminiature

## 557-110

### EMI Backshell

- Solid EMI Backshell, .25" Flange
- Cone-and-Ring Shield Termination
- Saddle Clamp Strain Relief

D-SUBMINIATURE ACCESSORIES



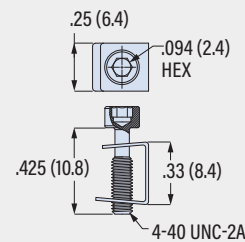
Shell Size	A Max		B		C		D ±.005 (0.13)		E		F		G		Max Entry Size
	in	mm	in	mm	in	mm	in	mm	in	mm	in	mm	in	mm	
1	1.25	31.8	.53	13.5	.75	19.1	.984	25.0	1.88	47.8	.43	10.9	.90	22.9	04
2	1.58	40.1	.53	13.5	.75	19.1	1.312	33.3	1.88	47.8	.43	10.9	.90	22.9	04
3	2.13	54.1	.53	13.5	1.00	25.4	1.852	47.0	1.88	47.8	.43	10.9	2.00	50.8	04
4	2.77	70.4	.53	13.5	1.00	25.4	2.500	63.5	1.88	47.8	.43	10.9	2.00	50.8	04
5	2.68	68.1	.66	16.8	1.25	31.8	2.406	61.1	2.13	54.1	.56	14.2	2.00	50.8	04
6	2.77	70.4	.73	18.5	1.25	31.8	2.500	63.5	2.22	56.4	.63	16.0	2.00	50.8	05

Entry Size	H Max		Ferrule I.D. (REF)		Cable Range Min		Cable Range Max	
	in	mm	in	mm	in	mm	in	mm
02	.968	24.6	.125	3.2	.125	3.2	.250	6.4
03	1.046	26.6	.250	6.4	.250	6.4	.375	9.5
04	1.156	29.4	.375	9.5	.312	7.9	.500	12.7
05	1.218	30.9	.500	12.7	.375	9.5	.625	15.9

#### SCREWLOCK OPTIONS

**C**

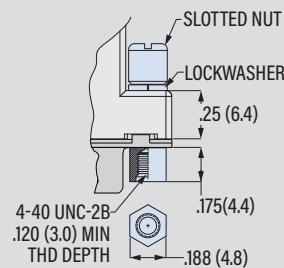
4-40 Socket Head Male Screwlocks With Clips



Part Number **687-236**  
Order 2 per backshell

**P**

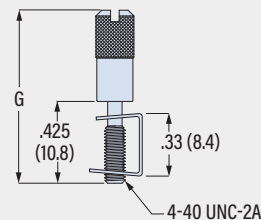
4-40 Female Screwlocks with Nut and Lockwasher



Part Number **687-418F**  
Order 2 per backshell

**E**

4-40 Extended Length Slotted Male Screwlocks With Clips



Shell Size	G Length		Part Number
	in	mm	
1, 2	.90	22.9	<b>687-236-3</b>
3-6	2.00	50.8	<b>687-236-2</b>

Order 2 per backshell