

D-Subminiature

557-432

Low Profile Micro Band Backshell

- Solid EMI Backshell, .25" Flange
- Micro Band Shield Termination
- Qwik-Ty® Strain Relief



T Top Entry



B 45° Entry

557-432

This accessory fits D-Subminiature M24308 connectors.
Not compatible with Series 28 HiPer-D

One piece, reduced can height, Micro band shield termination. 557-432 aluminum backshell fits M24308 D-Subminiature connectors. Low profile backshell has reduced can height for limited clearance equipment. Terminate cable braid to backshell with .12 wide (3.0) Micro band. Optional slot for routing individual pigtail shields. Qwik-Ty strain relief arm. Aluminum with stainless steel screws and clips.

TABLE 1 SCREWLOCK OPTIONS

C

4-40 Socket Head Male Screwlocks with "C" Clips



P

4-40 Female Screwlocks (fixed, non-rotating)



E

4-40 Extended Length Slotted Male Screwlocks with "C" clips



PART NUMBER

	557T432	M	3	32	C	K																				
Base P/N	557B432 B 45° Entry 557T432 T Top Entry																									
Finish	TZ Tin-Zinc MN MegaNickel JF Cadmium, Yel. Chromate M Electroless Nickel NF Olive Drab Cadmium MT Nickel-PTFE ZR Black Zinc-Nickel																									
Shell Size	1 2 3 4 5 6																									
Entry Size	<table border="1"> <thead> <tr> <th>Entry Size</th> <th>Entry Dia.</th> <th>Shell Size</th> </tr> </thead> <tbody> <tr> <td>16</td> <td>.188 (4.8)</td> <td>1-6</td> </tr> <tr> <td>23</td> <td>.250 (6.4)</td> <td>1-6</td> </tr> <tr> <td>30</td> <td>.312 (7.9)</td> <td>1-6</td> </tr> <tr> <td>31</td> <td>.375 (9.5)</td> <td>1-6</td> </tr> <tr> <td>32</td> <td>.438 (11.1)</td> <td>1-6</td> </tr> <tr> <td>33</td> <td>.562 (14.3)</td> <td>6</td> </tr> </tbody> </table>	Entry Size	Entry Dia.	Shell Size	16	.188 (4.8)	1-6	23	.250 (6.4)	1-6	30	.312 (7.9)	1-6	31	.375 (9.5)	1-6	32	.438 (11.1)	1-6	33	.562 (14.3)	6				
Entry Size	Entry Dia.	Shell Size																								
16	.188 (4.8)	1-6																								
23	.250 (6.4)	1-6																								
30	.312 (7.9)	1-6																								
31	.375 (9.5)	1-6																								
32	.438 (11.1)	1-6																								
33	.562 (14.3)	6																								
Screwlocks (Table 1)	Omit Thru-Holes (screwlocks not included) C Socket Head Male Screwlocks E Extended Male Screwlocks (T top entry only) P Female Screwlocks (fixed, non-rotating)																									
Band	Omit No Band K Micro Band Included J Micro Slim Band Included L Micro-Max Band Included																									



BAND OPTIONS

Band Type and Width	Hand Tool	Pneumatic Tool
Micro: .12 (3.0)	601-101	601-107
Micro Slim: .12 (3.0)	601-122	601-123
Micro-Max: .12 (3.0)	601-129	601-130

Terminate braid to backshell with band strap and banding tool. Pre-coiled bands are passivated SST. Micro Slim bands: reduced thickness for weight reduction. Micro-Max bands: high-tension for lower-resistivity termination.

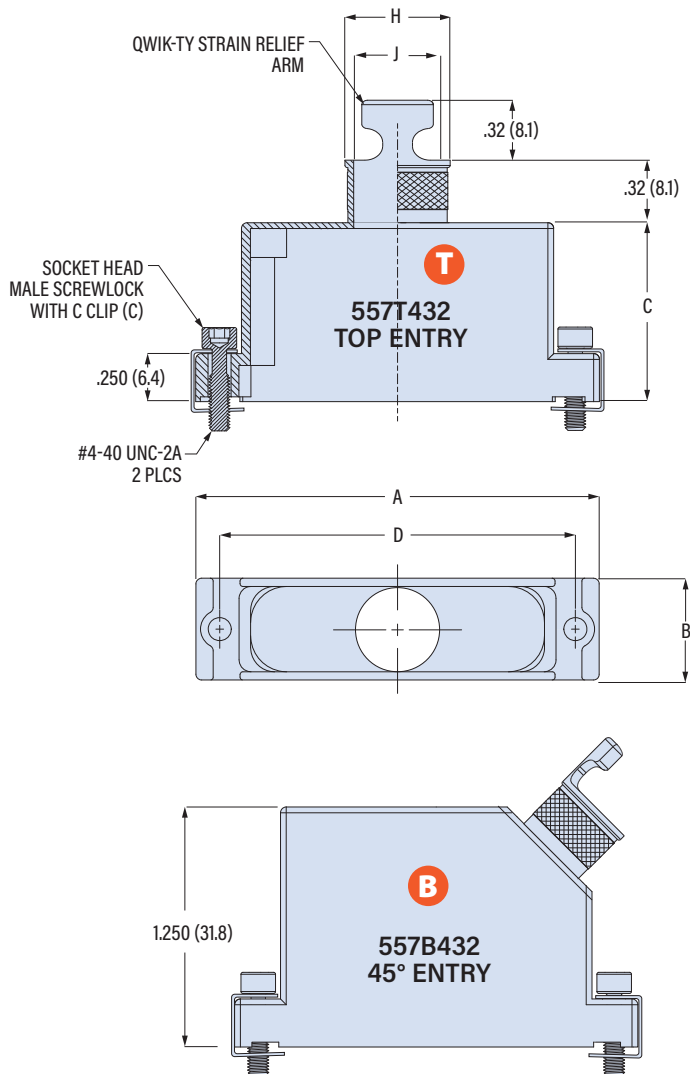
D-Subminiature

557-432

Low Profile Micro Band Backshell

- Solid EMI Backshell, .25" Flange
- Micro Band Shield Termination
- Qwik-Ty® Strain Relief

D-SUBMINIATURE ACCESSORIES



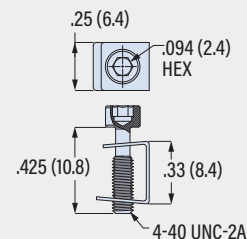
Shell Size	A Max		B		C Max		D ±.005 (0.13)		Max Entry Size
	in	mm	in	mm	in	mm	in	mm	
1	1.250	31.8	.53	13.5	.75	19.1	.984	25.0	32
2	1.580	40.1	.53	13.5	.75	19.1	1.312	33.3	32
3	2.130	54.1	.53	13.5	.93	23.6	1.852	47.0	32
4	2.770	70.4	.53	13.5	.93	23.6	2.500	63.5	32
5	2.680	68.1	.66	16.8	.93	23.6	2.406	61.1	32
6	2.770	70.4	.73	18.5	.93	23.6	2.500	63.5	33

Entry Size	ø H		ø J	
	in	mm	in	mm
16	.299	7.6	.188	4.8
23	.361	9.2	.250	6.4
30	.423	10.7	.312	7.9
31	.486	12.3	.375	9.5
32	.548	13.9	.438	11.1
33	.673	17.1	.562	14.3

SCREWLOCK OPTIONS

C

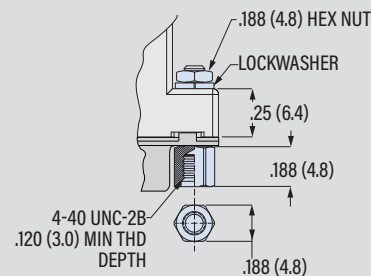
4-40 Socket Head Male Screwlocks with Clips



Part Number **687-236**
Order 2 per backshell

P

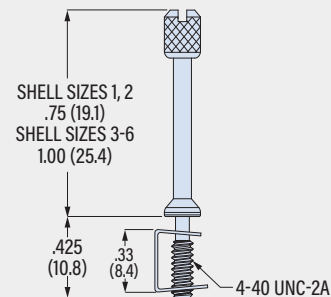
4-40 Female Screwlocks with Nut and Lockwasher



Part Number **687-178P**
Order 2 per backshell

E

4-40 Extended Length Slotted Male Screwlocks with Clips



Shell Size	Length		Part Number
	in	mm	
1, 2	.75	19.1	687-626-1E
3, 4, 5, 6	1.00	25.4	687-626-2E

Order 2 per backshell