

D-Subminiature

557-467

Straight Clamp Backshell

- Solid Backshell, .25" Flange
- Straight Clamp Strain Relief
- For Unshielded Cable



557-467

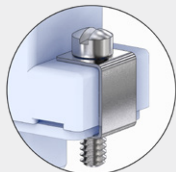
This accessory fits D-Subminiature M24308 connectors. Not compatible with Series 28 HiPer-D

Straight clamp. 557-467 aluminum backshell fits M24308 D-Subminiature connectors. Use with unshielded wire bundles. Flat bars with silicone pads provide strain relief. Aluminum with stainless steel screws and clips.

TABLE 1
SCREWLOCK OPTIONS

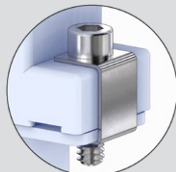
B

4-40 Fillister Head Male Screwlocks with Clips



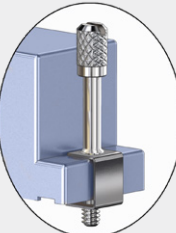
C

4-40 Socket Head Male Screwlocks with Clips



E

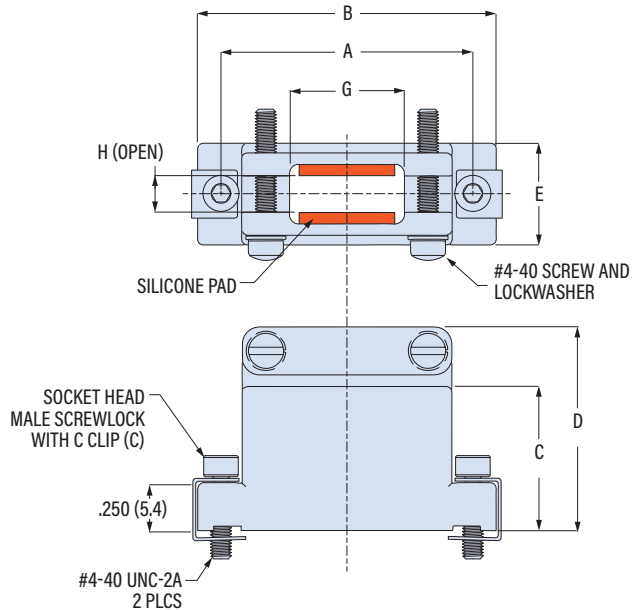
4-40 Extended Length Slotted Male Screwlocks with Clips



PART NUMBER

Sample PN → **557T467 M -2 C**

Base P/N	557T467
Finish	TZ Tin-Zinc MN MegaNickel JF Cadmium, Yel. Chromate M Electroless Nickel NF Olive Drab Cadmium MT Nickel-PTFE ZR Black Zinc-Nickel
Shell Size	-1 -2 -3 -4 -5 -6
Screwlocks (Table 1)	B Fillister Head Male Screwlocks C Socket Head Male Screwlocks E Extended Slotted Male Screwlocks



Shell Size	A		B		C		D		E		F Min		G Min		H (open)	
	in	mm	in	mm	in	mm	in	mm	in	mm	in	mm	in	mm	in	mm
1	.984	25.0	1.250	31.8	.75	19.1	1.06	26.9	.53	13.5	.50	12.7	.350	8.9	.188	4.8
2	1.312	33.3	1.580	40.1	.75	19.1	1.06	26.9	.53	13.5	.50	12.7	.562	14.3	.188	4.8
3	1.852	47.0	2.100	53.3	.75	19.1	1.06	26.9	.53	13.5	.50	12.7	1.000	25.4	.188	4.8
4	2.500	63.5	2.750	69.9	1.00	25.4	1.31	33.3	.53	13.5	.68	17.3	1.625	41.3	.188	4.8
5	2.406	61.1	2.680	68.1	1.00	25.4	1.31	33.3	.66	16.8	.68	17.3	1.500	38.1	.250	6.4
6	2.500	63.5	2.740	69.6	1.00	25.4	1.31	33.3	.71	18.5	.68	17.3	1.625	41.3	.250	6.4

D-SUBMINIATURE ACCESSORIES