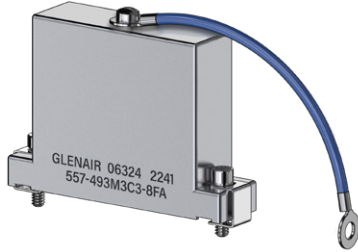


# D-Subminiature

## 557-493

### Shorting Cap Backshell, Solid



#### 557-493

This accessory fits D-Subminiature M24308 connectors.  
Not compatible with Series 28 HiPer-D

*Split, shrouded.* 557-493 one piece shorting cap backshell fits M24308 D-Subminiature connectors. #4-40 screwlocks are included. Aluminum with stainless steel screws and washers.

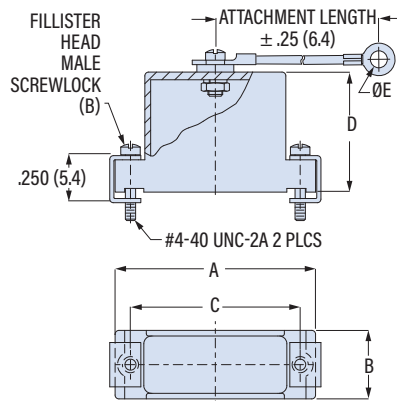
**TABLE 1 SCREWLOCK OPTIONS**

<p><b>B</b> 4-40 Fillister Hd Male Screwlocks With Clips</p>	<p><b>C</b> 4-40 Socket Hd Male Screwlocks With Clips</p>
<p><b>J</b> 4-40 Female Screwlocks</p>	

**TABLE 2 ATTACHMENT TYPE**

<p><b>D</b></p> <p>SST Bead Chain</p>	<p><b>F</b></p> <p>SST Wire Rope, Nylon Jacket</p>
<p><b>G</b></p> <p>Black Nylon Rope</p>	<p><b>H</b></p> <p>SST Wire Rope, Clear FEP Jacket</p>
<p><b>S</b></p> <p>SST Sash Chain</p>	<p><b>U</b></p> <p>SST Wire Rope, Black Polyurethane Jacket</p>

PART NUMBER																	
Sample PN→	<b>557-493</b> ZR 5 C 1 -8 U A																
Base P/N	<b>557-493</b>																
Finish	<p><b>TZ</b> Tin-Zinc</p> <p><b>MN</b> MegaNickel</p> <p><b>JF</b> Cadmium, Yel. Chromate</p> <p><b>M</b> Electroless Nickel</p> <p><b>NF</b> Olive Drab Cadmium</p> <p><b>MT</b> Nickel-PTFE</p> <p><b>ZR</b> Black Zinc-Nickel</p>																
Shell Size	<b>1 2 3 4 5 6</b>																
Screwlocks (Table 1)	<p><b>B</b> Fillister Head Male Screwlocks</p> <p><b>C</b> Socket Head Male Screwlocks</p> <p><b>J</b> Female Screwlocks</p>																
Height Code	<table border="1"> <thead> <tr> <th>Code</th> <th>D</th> </tr> </thead> <tbody> <tr><td>1</td><td>1.00 (25.4)</td></tr> <tr><td>2</td><td>1.25 (31.8)</td></tr> <tr><td>3</td><td>1.50 (38.1)</td></tr> <tr><td>4</td><td>1.75 (44.5)</td></tr> <tr><td>5</td><td>2.00 (50.8)</td></tr> <tr><td>6</td><td>2.50 (63.5)</td></tr> <tr><td>7</td><td>3.00 (76.2)</td></tr> </tbody> </table>	Code	D	1	1.00 (25.4)	2	1.25 (31.8)	3	1.50 (38.1)	4	1.75 (44.5)	5	2.00 (50.8)	6	2.50 (63.5)	7	3.00 (76.2)
Code	D																
1	1.00 (25.4)																
2	1.25 (31.8)																
3	1.50 (38.1)																
4	1.75 (44.5)																
5	2.00 (50.8)																
6	2.50 (63.5)																
7	3.00 (76.2)																
Attachment Length	<p><b>-N</b> No Attachment</p> <p>Attachment Length in 1/2 inch increments</p> <p>("-10" = five inches)</p>																
Attachment Type (Table 2)	<p>Omit if not required.</p> <p>See Table 2 for attachment types</p>																
Attachment Dia.	<p>Omit if not required</p> <table border="1"> <thead> <tr> <th>Code</th> <th>E Dia.</th> </tr> </thead> <tbody> <tr><td>A</td><td>.140 (3.6)</td></tr> <tr><td>B</td><td>.167 (4.2)</td></tr> <tr><td>C</td><td>.182 (4.6)</td></tr> <tr><td>D</td><td>.191 (4.9)</td></tr> <tr><td>E</td><td>.125 (3.2)</td></tr> <tr><td>F</td><td>.218 (5.5)</td></tr> </tbody> </table>	Code	E Dia.	A	.140 (3.6)	B	.167 (4.2)	C	.182 (4.6)	D	.191 (4.9)	E	.125 (3.2)	F	.218 (5.5)		
Code	E Dia.																
A	.140 (3.6)																
B	.167 (4.2)																
C	.182 (4.6)																
D	.191 (4.9)																
E	.125 (3.2)																
F	.218 (5.5)																



Shell Size	A Max		B		C ±.005 (0.13)	
	in	mm	in	mm	in	mm
1	1.25	31.8	.53	13.5	.984	25.0
2	1.58	40.1	.53	13.5	1.312	33.3
3	2.13	54.1	.53	13.5	1.852	47.0
4	2.77	70.4	.53	13.5	2.500	63.5
5	2.68	68.1	.66	16.8	2.406	61.1
6	2.77	70.4	.73	18.5	2.500	63.5

D-SUBMINIATURE ACCESSORIES