

D-Subminiature

557-538

Shrouded Backshell, Banding, Composite Snap-Together

- Split EMI Backshell
- Banding Shield Termination
- Lightweight Composite



557-538

This accessory fits D-Subminiature M24308 connectors.
Not compatible with Series 28 HiPer-D

Lightweight composite, snap-together.
557-538 composite thermoplastic backshell fits M24308 D-Subminiature connectors. Two-piece snap-together backshell offers simple, fast assembly. Banding platform has Qwik-Ty strain relief arm and optional slots for individual wire shields. Backshell fully shrouds the connector. Eleven shroud lengths: Choose shroud length based on mating connector mounting style. Cable shield attaches to backshell with optional band strap. Connector is captivated between backshell halves. #4-40 screwlocks are included. Thermoplastic with stainless steel screws and washers.

PART NUMBER

Sample PN →		557T538	XM	314	R3	B	S	K
Base P/N	557T538							
Finish	XM	Electroless Nickel						
	XMT	Nickel-PTFE						
Shell Size	Size Code	Shell Size						
	114	1 (DE)						
	214	2 (DA)						
	314	3 (DB)						
	414	4 (DC)						
	517	5 (DD)						
Shroud Length	Mating Connector Rear Panel Mounting							
	Code	Panel Thickness	L					
	R1	.031 (0.8)	.247 (6.3)					
	R2	.047 (1.2)	.231 (5.9)					
	R3	.062 (1.6)	.216 (5.5)					
	R4	.093 (2.4)	.185 (4.7)					
	R5	.104 (2.6)	.174 (4.4)					
	R6	.125 (3.2)	.153 (3.9)					
	R7	.156 (4.0)	.125 (3.2)					
	R8	.135 (3.4)	.140 (3.6)					
R9	.188 (4.8)	.094 (2.4)						
	CC	Cable-to-Cable	.174 (4.4)					
	F0	Front Panel Mtng.	.343 (8.7)					
Screwlocks <i>(Table 1)</i>	B	Male, Fillister Head						
	E	Male, Extended Slotted						
	K	Male, Socket Head, Knurled						
Slot	<i>Omit</i>	No Slot						
	S	Slot <i>(in Banding Area)</i>						
Band	<i>Omit</i>	No Band						
	K	Standard Band Included						
	J	Slim Standard Band Included						

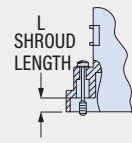
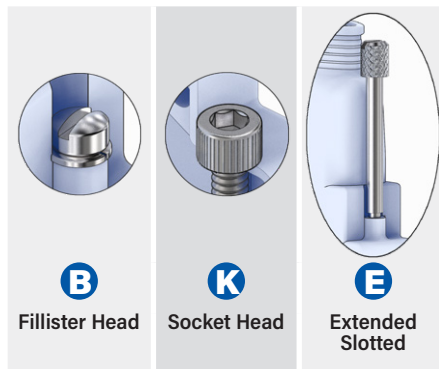


TABLE 1
HARDWARE OPTIONS

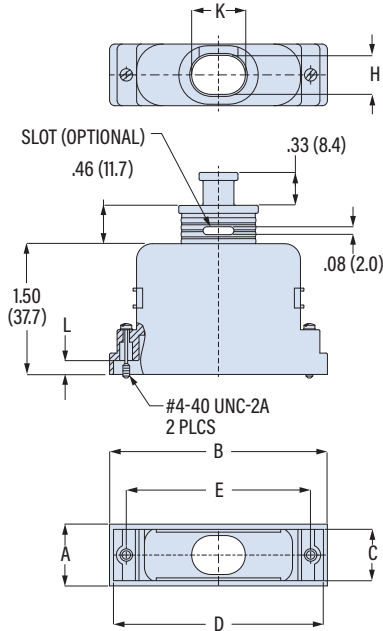


D-Subminiature

557-538

Shrouded Backshell, Banding, Snap-Together

- Split EMI Backshell
- Banding Shield Termination
- Lightweight Composite



Shroud Length	Mating Connector Panel Thickness		L Shroud Length	
	in	mm	in	mm
CC	N/A	N/A	.174	4.4
F0	N/A	N/A	.343	8.7
R1	.031	0.8	.247	6.3
R2	.047	1.2	.231	5.9
R3	.062	1.6	.216	5.5
R4	.093	2.4	.185	4.7
R5	.104	2.6	.174	4.4
R6	.125	3.2	.153	3.9
R7	.156	4.0	.125	3.2
R8	.135	3.4	.140	3.6
R9	.188	4.8	.094	2.4

Shell Size	A Max		B		C Min		D Min		E ±.005 (0.13)		H		J		K	
	in	mm	in	mm	in	mm	in	mm	in	mm	in	mm	in	mm	in	mm
1	.625	15.9	1.395	35.4	.510	13.0	1.229	31.2	.984	25.0	.436	11.1	.436	11.1	.436	11.1
2	.625	15.9	1.723	43.8	.510	13.0	1.557	39.5	1.312	33.3	.436	11.1	.759	19.3	.759	19.3
3	.625	15.9	2.270	57.7	.510	13.0	2.104	53.4	1.852	47.0	.436	11.1	.875	22.2	1.125	28.6
4	.625	15.9	2.911	73.9	.510	13.0	2.745	69.7	2.500	63.5	.436	11.1	1.100	27.9	1.773	45.0
5	.750	19.1	2.817	71.6	.620	15.7	2.651	67.3	2.406	61.1	.547	13.9	1.100	27.9	1.679	42.6

D-SUBMINIATURE ACCESSORIES

BAND OPTIONS

Terminate cable braid to backshell with optional band strap and banding tool. Pre-coiled bands are passivated stainless steel. Slim Standard bands have reduced thickness for weight reduction.



Band Type and Width	Hand Tool	Pneumatic Tool
Standard: .24 (6.1)	601-100	601-106
Slim Standard: .24 (6.1)	601-109	601-110