

D-Subminiature

557-553 TAG Ring® Backshell

- Solid Backshell, .25" Flange
- TAG Ring® Shield Termination
- Saddle Clamp Strain Relief



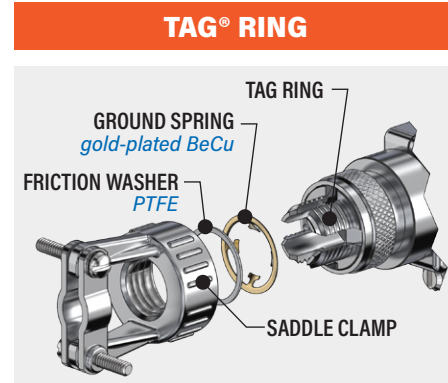
T Top Entry



S Side Entry



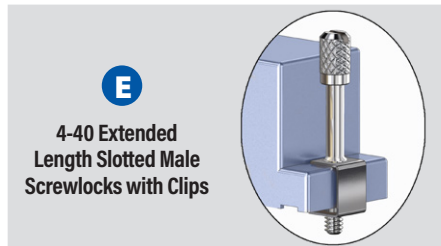
E End Entry



557-553
This accessory fits D-Subminiature M24308 connectors.
Not compatible with Series 28 HiPer-D

TAG Ring shield termination. 557-553 backshell fits M24308 D-Subminiature connectors. TAG ring has slots for individual wire shields. Gold-plated copper alloy spring and PTFE friction washer. Backshell body is aluminum, screws and clips are stainless steel.

**TABLE 1
SCREWLOCK OPTIONS**



PART NUMBER

Sample PN →		557T553	M	3	F	03	C
Base P/N	557E553	E End Entry					
	557S553	S Side Entry					
	557T553	T Top Entry					
Finish	TZ	Tin-Zinc					
	MN	MegaNickel					
	JF	Cadmium, Yel. Chromate					
	M	Electroless Nickel					
	NF	Olive Drab Cadmium					
	MT	Nickel-PTFE					
	ZR	Black Zinc-Nickel					
Shell Size	1 2 3 4 5 6						
Strain Relief	F	Saddle Clamp, Short					
	G	Nut					
	L	Saddle Clamp, Long					
Entry Size	Entry Size	Cable Range	Shell Size				
		Min	Max				
	02	.125 (3.2)	.250 (6.4)	1-6			
	03	.250 (6.4)	.375 (9.5)	1-6			
	04	.250 (6.4)	.438 (11.1)	1-6			
05	.375 (9.5)	.625 (15.9)	6				
Screwlocks (Table 1)	<i>Omit</i>	#4-40 Tapped Holes					
	C	Socket Head Male Screwlocks					
	E	Extended Slotted Male Screwlock (Profiles S T only)					
	X	.125 (3.2) Thru-Holes (screwlocks not included)					

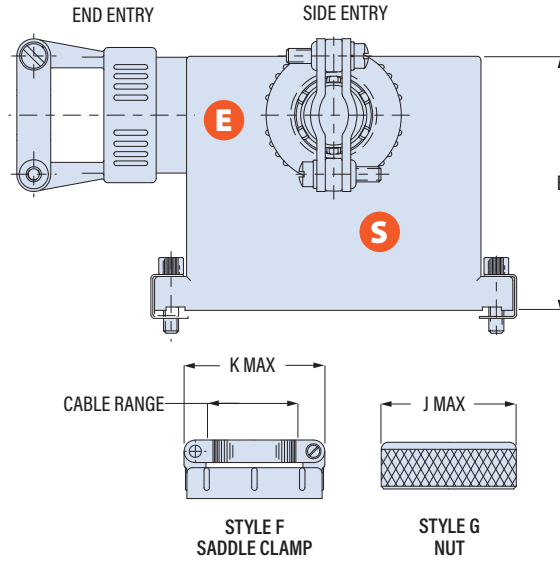
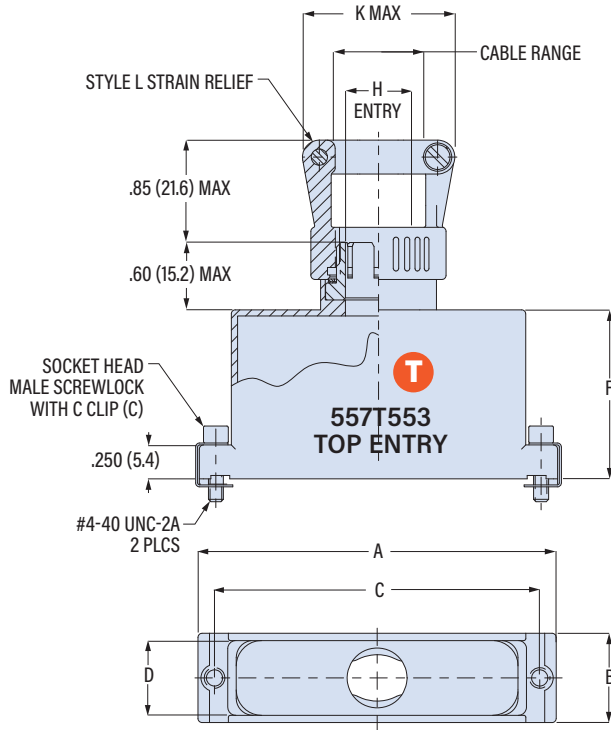
D-SUBMINIATURE ACCESSORIES

D-Subminiature

557-553

TAG Ring® Backshell

- Solid Backshell, .25" Flange
- TAG Ring® Shield Termination
- Saddle Clamp Strain Relief



Shell Size	A Max		B		C ±.005 (0.13)		D		E		F		G		Max Entry Size
	in	mm	in	mm	in	mm	in	mm	in	mm	in	mm	in	mm	
1	1.25	31.8	.53	13.5	.984	25.0	.43	10.9	1.88	47.8	.75	19.1	.90	22.9	04
2	1.58	40.1	.53	13.5	1.312	33.3	.43	10.9	1.88	47.8	.75	19.1	.90	22.9	04
3	2.13	54.1	.53	13.5	1.852	47.0	.43	10.9	1.88	47.8	1.00	25.4	2.00	50.8	04
4	2.77	70.4	.53	13.5	2.500	63.5	.43	10.9	1.88	47.8	1.00	25.4	2.00	50.8	04
5	2.68	68.1	.66	16.8	2.406	61.1	.56	14.2	2.13	54.1	1.25	31.8	2.00	50.8	04
6	2.77	70.4	.73	18.5	2.500	63.5	.63	16.0	2.22	56.4	1.25	31.8	2.00	50.8	05

Entry Size	H Entry	J Max		K Max		Cable Range		Min	Max	
		in	mm	in	mm	in	mm			in
02	.25	6.4	.55	14.0	.97	24.63	.125	3.2	.250	6.4
03	.37	9.4	.67	17.0	1.05	26.7	.250	6.4	.375	9.5
04	.50	12.7	.80	20.3	1.16	29.5	.250	6.4	.438	11.1
05	.62	15.7	.92	23.4	1.22	31.0	.375	9.5	.625	15.9

SCREWLOCK OPTIONS

C
4-40 Socket Head Male Screwlocks with Clips

.25 (6.4)
.094 (2.4) HEX

.425 (10.8)
.33 (8.4)
4-40 UNC-2A

Part Number **687-236**
Order 2 per backshell

E
4-40 Extended Length Slotted Male Screwlocks with Clips

G
.425 (10.8)
.33 (8.4)
4-40 UNC-2A

Shell Size	G Length	Part Number
1, 2	.90 22.9	687-236-3
3, 4, 5	2.00 50.8	687-236-2

Order 2 per backshell

D-SUBMINIATURE ACCESSORIES