

D-Subminiature

557-609

Split Lip Backshell, EMI Banding

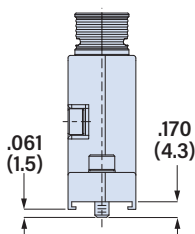
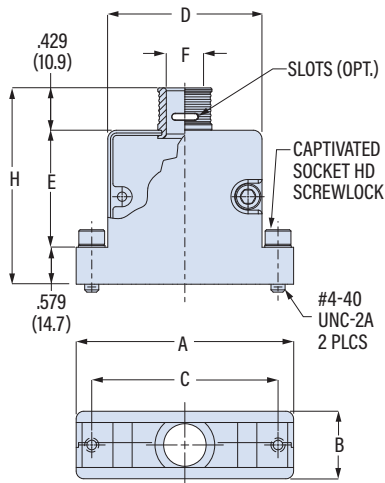
- Round or Elliptical Entry
- 1-3 Entries
- Split Backshell



557-609

This accessory fits D-Subminiature M24308 connectors.
Not compatible with Series 28 HiPer-D

Two piece banding, round or elliptical entry. 557-609 backshell fits M24308 D-Subminiature connectors. EMI protected. Cable shield attaches to backshell with optional band strap. Connector is captivated between backshell halves. #4-40 socket head screwlocks are included. Aluminum with stainless steel screws and washers.

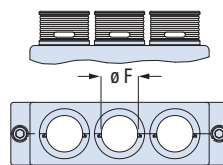


PART NUMBER

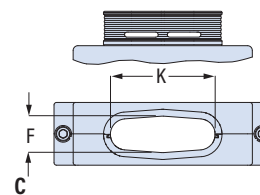
Sample PN → 557T609

Base P/N	557T609					
Material/ Finish	TZ	Tin-Zinc				
	MN	MegaNickel				
	JF	Cadmium, Yel. Chromate				
	M	Electroless Nickel				
	NF	Olive Drab Cadmium				
	MT	Nickel-PTFE				
	ZR	Black Zinc-Nickel				
Shell Size	1 2 3 4 5 6					
Entry	Code			Shell Size		
	R1	1 Round Entry		1-6		
	R2	2 Round Entries		3-6		
	R3	3 Round Entries		4-6		
	E1	1 Elliptical Entry		2-6		
	R1E1	1 Round and 1 Elliptical		3-6		
Slots	Omit	No Slot				
	S	Slot (in banding area)				
Band	Omit	No Band				
	B	Standard Band Included				
	J	Slim Standard Band Included				

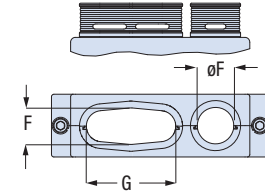
ENTRY R1 R2 R3 ROUND ENTRY



ENTRY E1 1 ELLIPTICAL ENTRY



ENTRY R1E1 1 ELLIPTICAL AND 1 ROUND ENTRY



Shell Size	A	B	±.005 (0.13)		D	E Max	F Max	G Max	H	K Max								
	in	mm	in	mm	in	mm	in	mm	in	mm								
1	1.213	30.8	.630	16.0	.984	25.0	.728	18.5	1.300	33.0	.315	8.0	N/A	N/A	2.308	58.6	N/A	N/A
2	1.535	39.0	.630	16.0	1.312	33.3	1.059	26.9	1.300	33.0	.315	8.0	N/A	N/A	2.308	58.6	.661	16.8
3	2.087	53.0	.630	16.0	1.852	47.0	1.598	40.6	1.520	38.6	.315	8.0	.575	14.6	2.528	64.2	1.200	30.5
4	2.728	69.3	.630	16.0	2.500	63.5	2.248	57.1	1.520	38.6	.315	8.0	1.225	31.1	2.528	64.2	1.850	47.0
5	2.638	67.0	.750	19.1	2.406	61.1	2.192	55.7	1.520	38.6	.433	11.0	1.051	26.7	2.528	64.2	1.794	45.6
6	2.728	69.3	.787	20.0	2.500	63.5	2.248	57.1	1.520	38.6	.470	11.9	1.070	27.2	2.528	64.2	1.850	47.0

BAND OPTIONS

Terminate cable braid to backshell with optional band strap and banding tool. Pre-coiled bands are passivated stainless steel. Slim Standard bands have reduced thickness for weight reduction.

Band Type and Width	Hand Tool	Pneumatic Tool
Standard: .24 (6.1)	601-100	601-106
Slim Standard: .24 (6.1)	601-109	601-110

D-SUBMINIATURE ACCESSORIES