

# D-Subminiature

## 557-666

### Potting Shell



#### 557-666

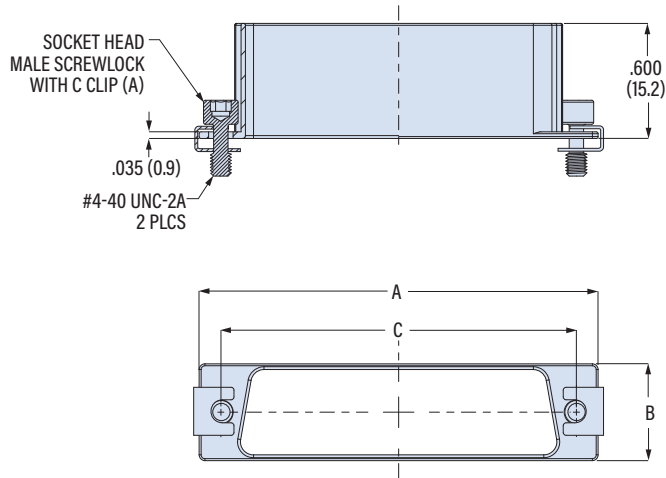
This accessory fits D-Subminiature M24308 connectors. Not compatible with Series 28 HiPer-D

Aluminum potting shell fits M24308-type D-Subminiature connectors. Available in five standard finishes. Fill with potting compound to encapsulate connector terminals and to provide wire strain relief. One piece aluminum shell with passivated stainless steel screwlocks and clips.

| Shell Size | A Max |      | B    |      | C<br>±.005 (0.13) |      |
|------------|-------|------|------|------|-------------------|------|
|            | in    | mm   | in   | mm   | in                | mm   |
| 1          | 1.203 | 30.6 | .500 | 12.7 | .984              | 25.0 |
| 2          | 1.531 | 38.9 | .500 | 12.7 | 1.312             | 33.3 |
| 3          | 2.078 | 52.8 | .500 | 12.7 | 1.852             | 47.0 |
| 4          | 2.718 | 69.0 | .500 | 12.7 | 2.500             | 63.5 |
| 5          | 2.625 | 66.7 | .609 | 15.5 | 2.406             | 61.1 |

#### PART NUMBER

|                         |                                            |                                        |          |          |          |
|-------------------------|--------------------------------------------|----------------------------------------|----------|----------|----------|
| Sample PN →             |                                            | <b>557-666</b>                         | <b>M</b> | <b>3</b> | <b>A</b> |
| Base P/N                | <b>557-666</b>                             |                                        |          |          |          |
| Finish                  | <b>TZ</b>                                  | Tin-Zinc                               |          |          |          |
|                         | <b>MN</b>                                  | MegaNickel                             |          |          |          |
|                         | <b>JF</b>                                  | Cadmium, Yel. Chromate                 |          |          |          |
|                         | <b>M</b>                                   | Electroless Nickel                     |          |          |          |
|                         | <b>NF</b>                                  | Olive Drab Cadmium                     |          |          |          |
|                         | <b>MT</b>                                  | Nickel-PTFE                            |          |          |          |
|                         | <b>ZR</b>                                  | Black Zinc-Nickel                      |          |          |          |
| Shell Size              | <b>1 2 3 4 5</b>                           |                                        |          |          |          |
| Screwlocks<br>(Table 1) | <b>Omit</b> .128 (3.3) diameter thru holes |                                        |          |          |          |
|                         | <b>A</b>                                   | Socket Head Male Screwlocks            |          |          |          |
|                         | <b>C</b>                                   | Fillister Head Slotted Male Screwlocks |          |          |          |



**TABLE 1**  
SCREWLOCK OPTIONS

**A**

4-40 Socket Head Male Screwlocks with Clips

Part Number **687-316M**  
Order 2 per backshell

**C**

4-40 Fillister Head Male Screwlocks with Clips

Part Number **687-316**  
Order 2 per backshell

D-SUBMINIATURE ACCESSORIES