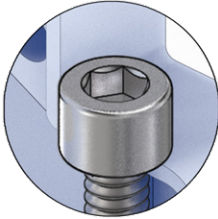


D-Subminiature

687-092, 687-345

Replacement Screwlocks for Type 1 Shrouded Backshells

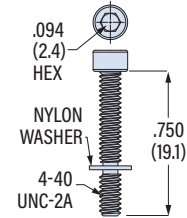
687-092A SOCKET HEAD MALE SCREWLOCK FOR TYPE 1 BACKSHELLS



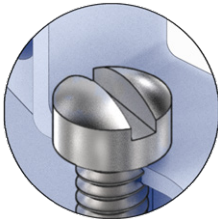
Replacement male screwlock for Type 1 split shrouded Series 550 backshells. 300 Series stainless steel. Includes nylon washer.

- Order (2) per backshell
- Fits Top Entry and Side Entry backshells

PART NUMBER
687-092A



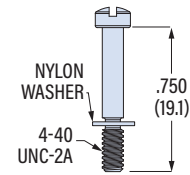
687-092B FILLISTER HEAD MALE SCREWLOCK FOR TYPE 1 BACKSHELLS



Replacement male screwlock for Type 1 split shrouded Series 550 backshells. 300 Series stainless steel. Includes nylon washer.

- Order (2) per backshell
- Fits Top Entry and Side Entry backshells

PART NUMBER
687-092B



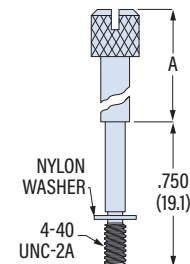
687-092E EXTENDED KNURLED SLOT HEAD MALE SCREWLOCK FOR TYPE 1 BACKSHELLS



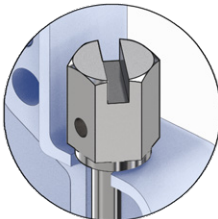
Replacement male screwlock for Type 1 split shrouded Series 550 backshells. 300 Series stainless steel. Includes nylon washer.

- Order (2) per backshell
- Fits Top Entry and Side Entry backshells

Shell Size	Part No.	A	
		in	mm
1	687-092E1	1.03	26.2
2	687-092E2	1.03	26.2
3-6	687-092E	1.53	38.9



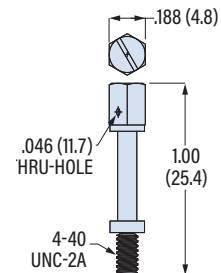
687-092H HEX HEAD SLOTTED DRILLED MALE SCREWLOCK FOR TYPE 1 BACKSHELLS



Replacement male screwlock for Type 1 split shrouded Series 550 backshells. 300 Series stainless steel. Hex head is cross-drilled for safety wire.

- Order (2) per backshell
- Fits Top Entry and Side Entry backshells

PART NUMBER
687-092H



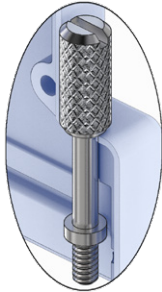
D-Subminiature

687-092, 687-345

Replacement Screwlocks for Type 1 Shrouded Backshells

D-SUBMINIATURE ACCESSORIES

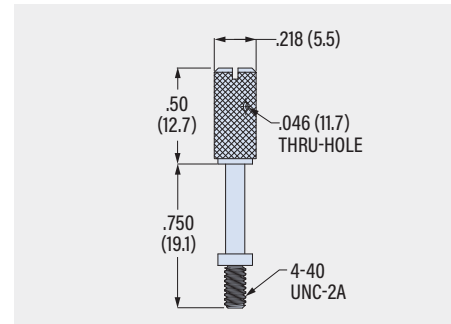
687-092K KNURLED SLOTTED MALE SCREWLOCK FOR TYPE 1 BACKSHELLS



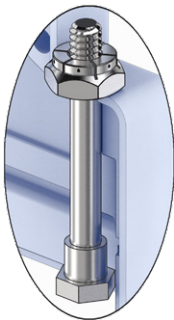
Replacement male screwlock for Type 1 split shrouded Series 550 backshells. 300 Series stainless steel. Head is cross-drilled for safety wire.

- Order (2) per backshell
- Fits Top Entry and Side Entry backshells

PART NUMBER
687-092K



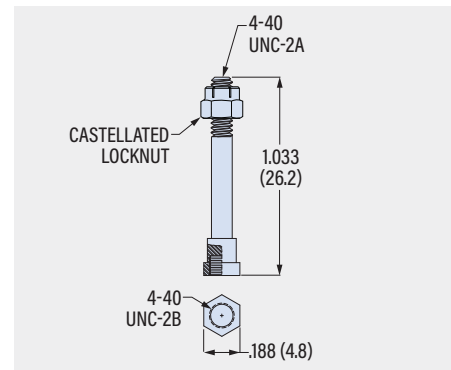
687-092P FEMALE SCREWLOCK FOR TYPE 1 BACKSHELLS



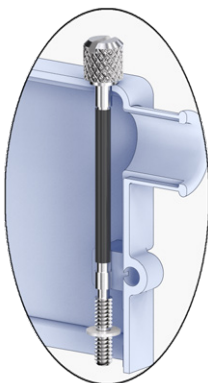
Replacement female screwlock for Type 1 split shrouded Series 550 backshells. 300 Series stainless steel. Fixed, non-rotating.

- Order (2) per backshell
- Fits Top Entry and Side Entry backshells

PART NUMBER
687-092P



687-345 MALE SCREWLOCK FOR TYPE 1 END ENTRY BACKSHELLS



Replacement male screwlock for End Entry Type 1 split shrouded Series 550 backshells. 300 Series stainless steel. Hex head or knurled slot head. Includes nylon washer and heatshrink tube.

- Order (2) per backshell
- Fits End Entry backshells

PART NUMBER

Head Style	Shell Size	Part No.	A	
			in	mm
Slot	1-2	687-345-03	1.87	47.5
	3-6	687-345-04	2.16	54.9
Hex	1-2	687-345-03H	1.87	47.5
	3-6	687-345-04H	2.16	54.9

