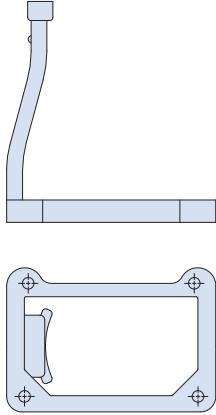


DPX / AS81659



507-002

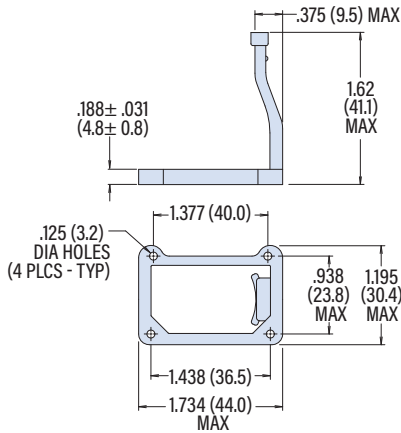
Qwik-Ty, AS81659



507-002

This Qwik-Ty strain relief fits AS81659 connectors

Black anodized aluminum with stainless steel hardware.



PART NUMBER

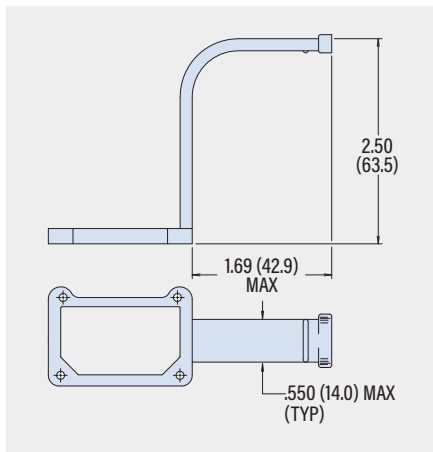
Sample PN → **507-002** **L** **H**

Base P/N **507-002**

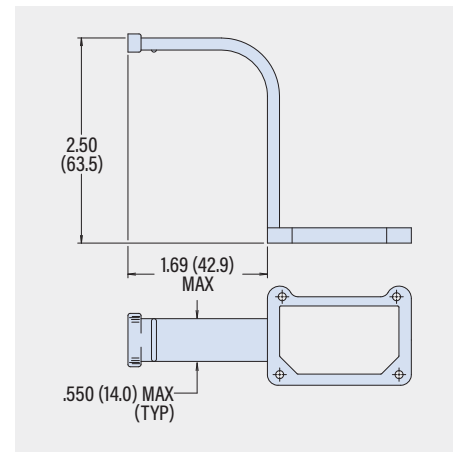
- Mounting**
- A** Angle Mount Right
 - B** Back Mount
 - C** Angle Mount Left
 - D** 90° Back Mount
 - L** Left Mount
 - R** Right Mount

Mounting Hardware **Omit** No Hardware
H Hardware Included (4) #2-56 screws and (4) lockwashers

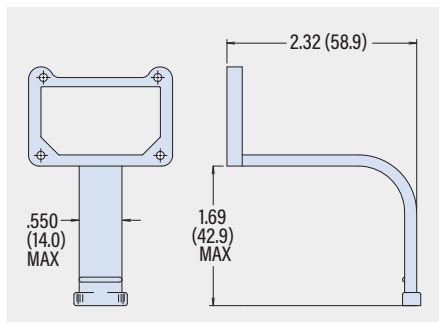
507-002A ANGLE MOUNT RIGHT



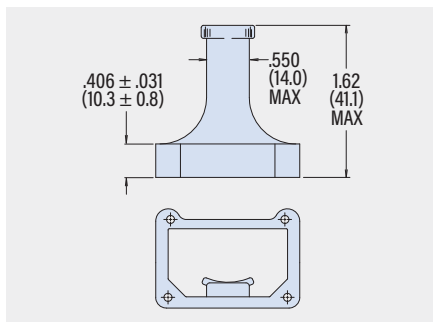
507-002C ANGLE MOUNT LEFT



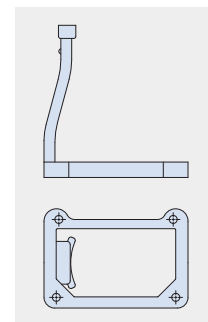
507-002D 90° BACK MOUNT



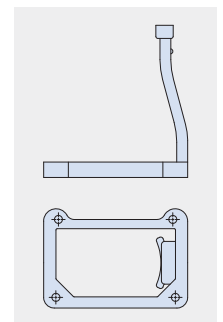
507-002B BACK MOUNT



507-002L LEFT MOUNT



507-002R RIGHT MOUNT



DPX / AS81659 BACKSHELLS