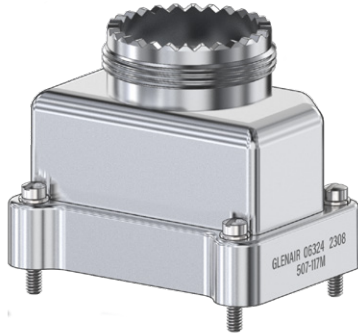


DPX / AS81659



507-117

Backshell, EMI, AS81659, M25 Thread



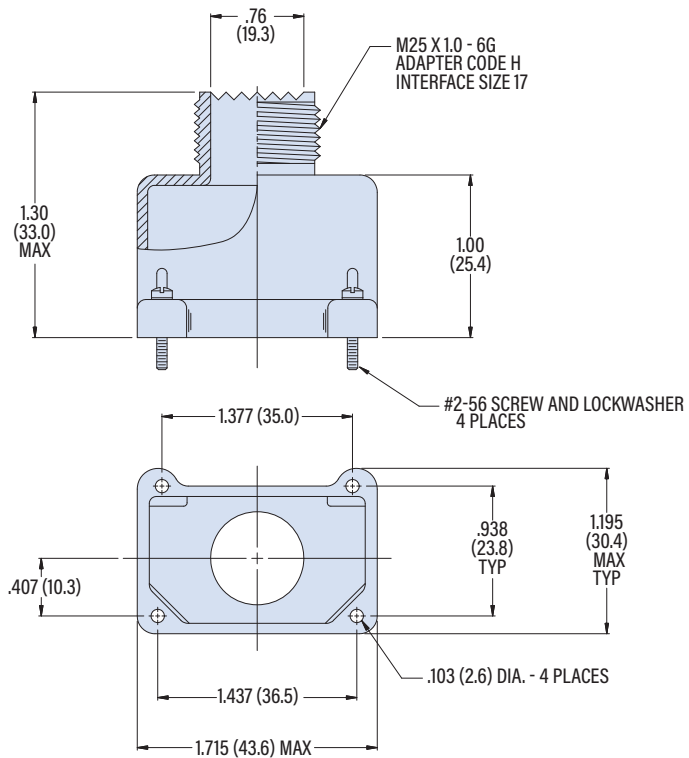
PART NUMBER	
Sample PN →	507-117 NF
Base P/N	507-117
Finish	M Electroless Nickel
	JF Cadmium with Yellow Chromate
	TZ Tin-Zinc
	NF Olive Drab Cadmium

507-117

EMI backshell with M25 thread fits AS81659 connectors

Backshell has M25 thread and interface teeth compatible with Adapter Code H (D38999 Series III/IV) size 17 fittings.

Aluminum with stainless steel hardware.



DPX / AS81659 BACKSHELLS