

M83733 / DPK Backshells



501-001

Backshell, EMI Cone-and-Ring, M83733



501-001

EMI Cone-and-Ring backshell fits M83733 connectors

Fits ITT Cannon DPK and MIL-DTL-83733 connectors. Available with 1-3 ports located on top, ends or sides. Cone-and-ring shield termination.

Aluminum with stainless steel hardware.

CONE-AND-RING

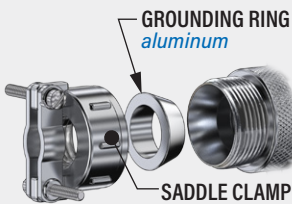
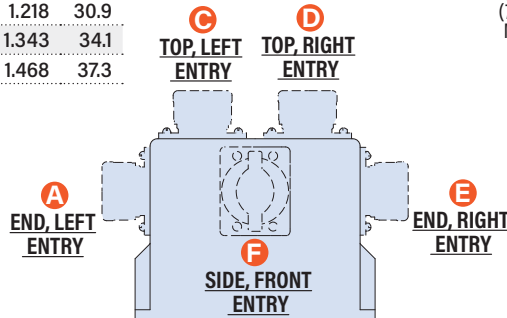


TABLE 1 ENTRY SIZE

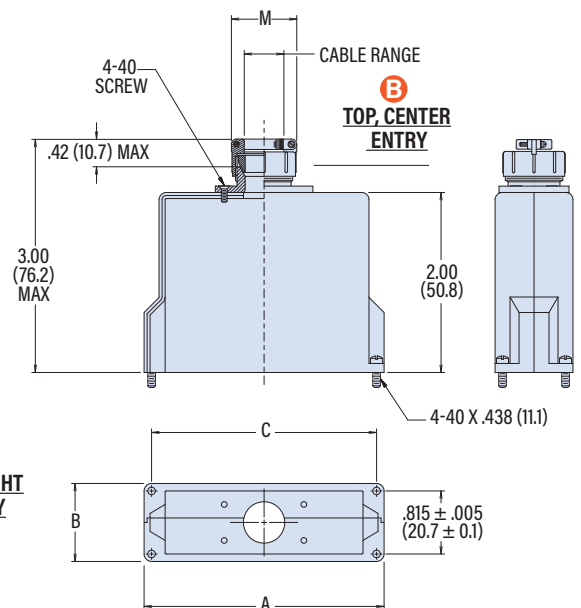
Entry Size	Cable Range				M Max	
	in	mm	in	mm	in	mm
01	.062	1.6	.125	3.2	.781	19.8
02	.125	3.2	.250	6.4	.968	24.6
03	.250	6.4	.375	9.5	1.046	26.6
04	.312	7.9	.500	12.7	1.156	29.4
05	.437	11.1	.625	15.9	1.218	30.9
06	.562	14.3	.750	19.1	1.343	34.1
07	.687	17.4	.875	22.2	1.468	37.3



PART NUMBER

Sample PN →	501-001	NF	B	A06	B03	E03
Base P/N	501-001					
Finish	M	Electroless Nickel				
	TZ	Tin-Zinc				
	NF	Olive Drab Cadmium				
Shell Size	A					
	B					
Port 1	Location	A B C D E F See Drawing				
	Entry Size	01 02 03 04 05 06 07 See Table 1				
Omit Ports 2-3 for single entry location. When Location "C" and/or "D" are selected, Location "B" cannot be selected. When "C" and "D" are both selected, the maximum entry size is "02".						
Port 2	Location	A B C D E F See Drawing				
	Entry Size	01 02 03 04 05 06 07 See Table 1				
Port 3	Location	A B C D E F See Drawing				
	Entry Size	01 02 03 04 05 06 07 See Table 1				

Shell Size	A		B		C	
	in	mm	in	mm	± .005 (0.13)	in
A	2.095	53.2	1.000	25.4	1.895	48.1
B	3.395	86.2	1.000	25.4	3.195	81.1



M83733 / DPK BACKSHELLS