

M83733 / DPK Backshells



507-013

Strain Relief, Straight Clamp, M83733



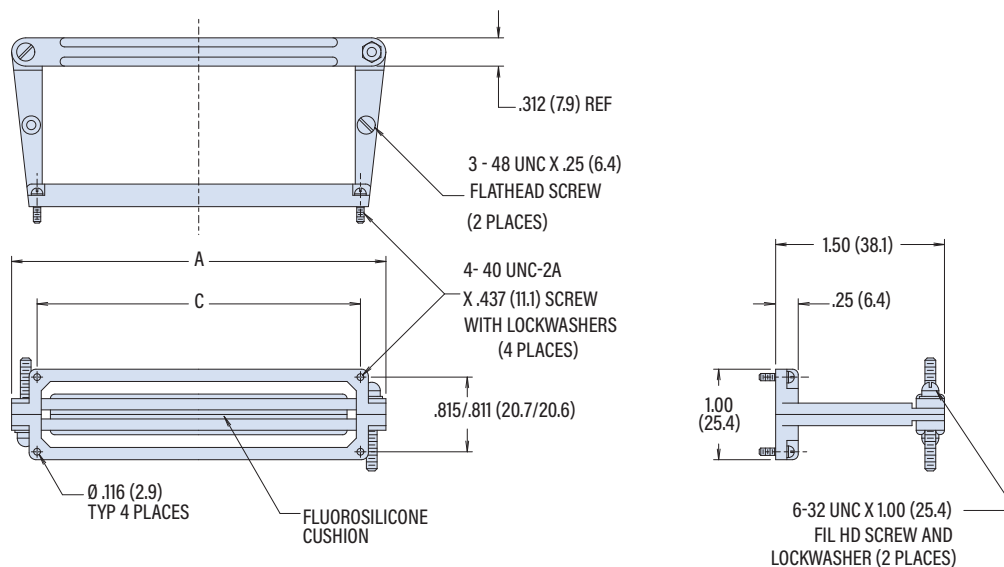
507-013
 Straight clamp strain relief fits M83733 connectors

Fits ITT Cannon DPK and MIL-DTL-83733 connectors. Saddle bars have cushions to prevent damage to wire insulation.

Aluminum with stainless steel hardware, fluorosilicone cushions.

PART NUMBER	
Sample PN →	507-013 B M
Base P/N	507-013
Shell Size	A B
Finish	Omit Olive Drab Cadmium TZ Tin-Zinc M Electroless Nickel

Shell Size	Connector Series	A		C	
		±.062 (1.57) in	mm	±.005 (0.13) in	mm
A	DPKA	2.437	61.9	1.895	48.1
B	DPKB / DPJM	3.750	95.3	3.195	81.2



M83733 / DPK BACKSHELLS