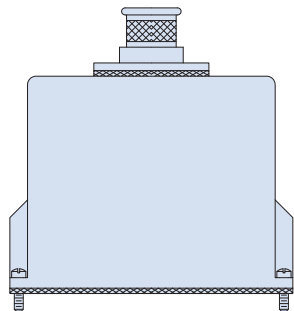


M83733 / DPK Backshells



507-078

Backshell, EMI Banding, M83733



507-078

EMI banding backshell fits M83733 connectors

Fits ITT Cannon DPK and MIL-DTL-83733 connectors. Available with 1-3 ports located on top, end or side. Attach cable braid to backshell with *Band-Master ATS*® banding strap. Backshell is supplied with three EMI gaskets: entry gasket, backshell/connector interface and connector/panel interface.

Aluminum with stainless steel hardware.
Backshell gaskets: metalastic.
Connector interface gasket: monel mesh.

TABLE 1 ENTRY SIZE

Entry Size	ø E		ø F		ø G	
	in	mm	in	mm	in	mm
02	.250	6.4	.375	9.5	.438	11.1
03	.375	9.5	.500	12.7	.562	14.3
04	.500	12.7	.625	15.9	.688	17.5
05	.625	15.9	.750	19.1	.812	20.6
06	.750	19.1	.875	22.2	.938	23.8
07*	.875	22.2	1.000	25.4	1.062	27.0

* Entry 07 available on entry location "F" only

BAND OPTIONS

Terminate cable braid to backshell with optional band strap and banding tool. Pre-coiled bands are passivated stainless steel. Slim Standard bands have reduced thickness for weight reduction.

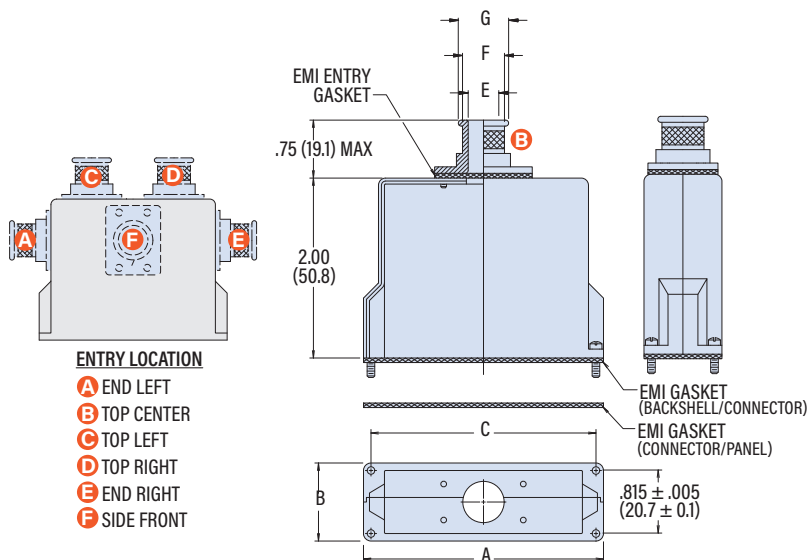


Band Type and Width	Hand Tool	Pneumatic Tool
Standard: .24 (6.1)	601-100	601-106
Slim Standard: .24 (6.1)	601-109	601-110

PART NUMBER

Sample PN →	507-078	NF	A	A05	B04	E03	K
Base P/N	507-078						
Finish	M	Electroless Nickel					
	TZ	Tin-Zinc					
	NF	Olive Drab Cadmium					
Shell Size	A						
	B						
Port 1	Location	A B C D E F See Drawing					
	Entry Size	02 03 04 05 06 07 See Table 1					
Omit Ports 2-3 for single entry location. When Location "C" and/or "D" are selected, Location "B" cannot be selected.							
Port 2	Location	A B C D E F See Drawing					
	Entry Size	02 03 04 05 06 07 See Table 1					
Port 3	Location	A B C D E F See Drawing					
	Entry Size	02 03 04 05 06 07 See Table 1					
Band Option	Omit	No Band					
	K	Standard Band Included (1 per port)					
	J	Slim Standard Band Included (1 per port)					

Shell Size	A		B		C	
	in	mm	in	mm	±.005 (0.13)	in mm
A	2.095	53.2	1.000	25.4	1.895	48.1
B	3.395	86.2	1.000	25.4	3.195	81.1



M83733 / DPK BACKSHELLS