

# Series 79 Micro-Crimp®



## 799-011

### EMI Banding Backshell, Micro-Crimp®

- Solid, Elliptical Entry
- Band-Master® Shield Termination
- Top and Side Entry



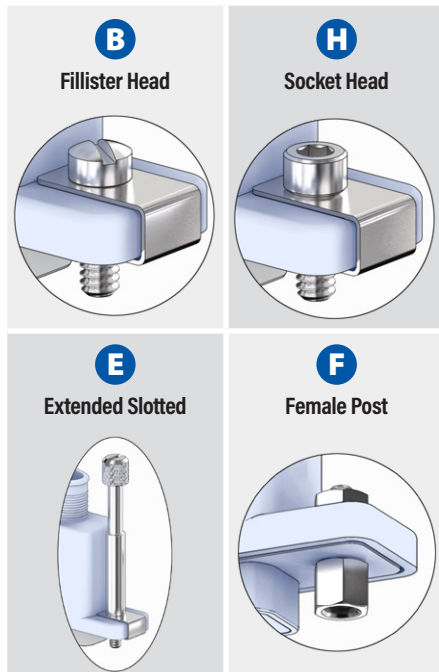
**T** Top Entry

### 799-011

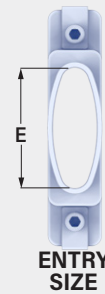
This accessory fits Series 790 connectors: 790-024 and 790-025

EMI, banding elliptical entry. 799-011 backshell fits Series 790 connectors 790-024 and 790-025. Terminate cable shield to backshell with BandMaster ATS band strap. Connector flange sits inside backshell. Optional Qwik-Ty strain relief arm. Aluminum or stainless steel with stainless steel screwlocks and retainer clips.

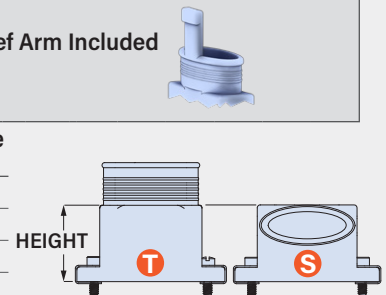
**TABLE 1**  
SCREWLOCK OPTIONS



| PART NUMBER          |   |
|----------------------|---|
| Sample PN →          | <b>799-011T M H 01 H N T 08</b>   |
| Base P/N             | <b>799-011T</b> <b>T</b> Top Entry<br><b>799-011S</b> <b>S</b> Side Entry   |
| Material / Finish    | <b>TZ</b> Alum / Tin-Zinc<br><b>M</b> Alum / Electroless Nickel<br><b>MT</b> Alum / Nickel-PTFE<br><b>ZR</b> Alum / Black Zinc-Nickel<br><b>ZI</b> SST / Passivated |
| Shell Size           | <b>A B C D E F G H J K L M</b>  |
| Entry Size           | Entry Size E Shell Size   |
|                      | <b>01</b> .300 (7.6) A thru M   |
|                      | <b>02</b> .450 (11.4) B thru M  |
|                      | <b>03</b> .600 (15.2) C thru M  |
|                      | <b>04</b> .700 (17.8) D thru M  |
|                      | <b>05</b> .850 (21.6) E thru M  |
|                      | <b>06</b> .965 (24.5) F thru M  |
|                      | <b>07</b> 1.155 (29.3) H thru M   |
|                      | <b>08</b> 1.345 (34.2) H thru M   |
|                      | <b>09</b> 1.460 (37.1) K thru M   |
|                      | <b>10</b> 1.580 (40.1) K thru M   |
|                      | <b>11</b> 1.760 (44.7) K  |
|                      | <b>12</b> 1.645 (41.8) K and M  |
| Screwlocks (Table 1) | <b>B</b> Fillister Head Male  |
|                      | <b>E</b> Extended Male  |
|                      | <b>F</b> Female Jackpost  |
|                      | <b>H</b> Socket Head Male   |
| Band                 | <b>N</b> No Band  |
|                      | <b>B</b> Standard Band Included   |
|                      | <b>S</b> Slim Standard Band Included  |
|                      | <b>M</b> Micro Band Included<br><b>J</b> Micro Slim Band Included<br><b>L</b> Micro-Max Band Included   |
| Qwik-Ty®             | <b>T</b> Qwik-Ty Strain Relief Arm Included   |
|                      | <b>N</b> No Qwik-Ty   |
| Height Code          | Height Code Height Available Profiles   |
|                      | <b>06</b> .750 (19.1) <b>T</b>  |
|                      | <b>07</b> .875 (22.2) <b>T</b>  |
|                      | <b>08</b> 1.000 (25.4) <b>T S</b>   |
|                      | <b>09</b> 1.125 (28.6) <b>T S</b>   |
|                      | <b>10</b> 1.250 (31.8) <b>T S</b>   |



ENTRY SIZE



SERIES 79 MICRO-CRIMP ACCESSORIES

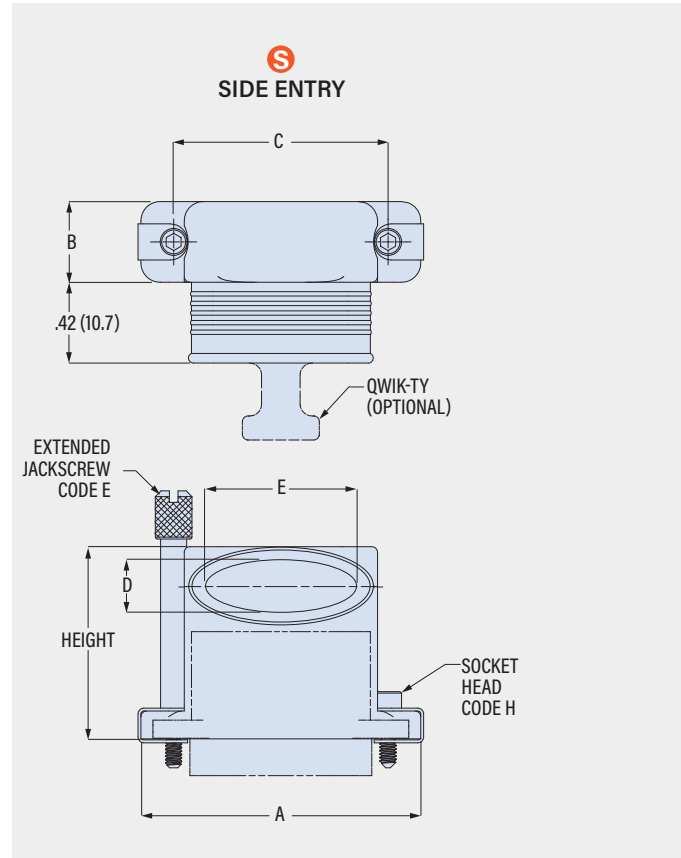
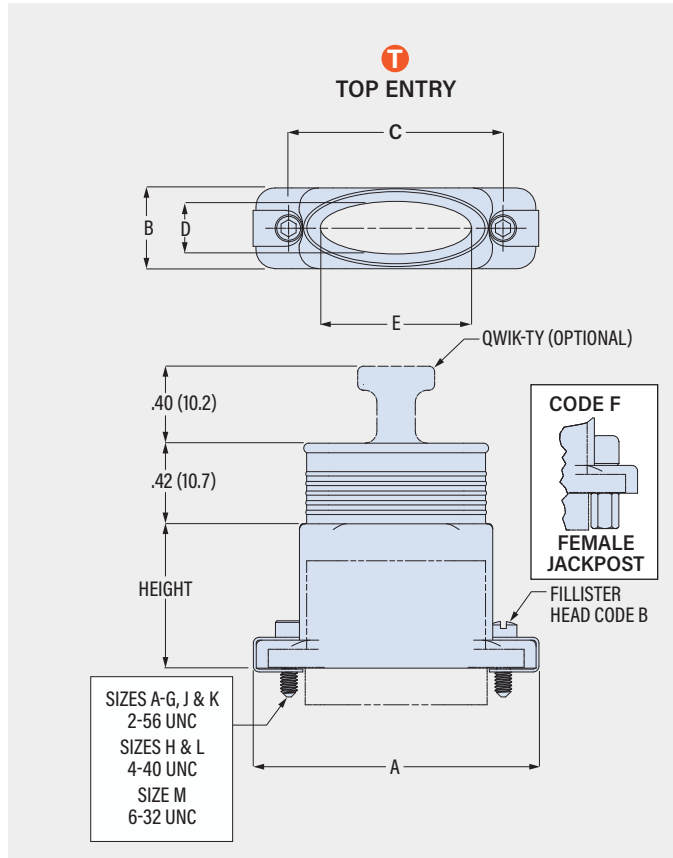
# Series 79 Micro-Crimp®

## 799-011

### EMI Banding Backshell, Micro-Crimp

- Solid with Elliptical Entry
- Band-Master® Shield Termination
- Top and Side Entry

SERIES 79 MICRO-CRIMP ACCESSORIES



| Shell Size | A Max |      | B Max |      | C     |      | D    |      | Available Entries | Entry Size | E     |      | Available Sizes |
|------------|-------|------|-------|------|-------|------|------|------|-------------------|------------|-------|------|-----------------|
|            | in    | mm   | in    | mm   | in    | mm   | in   | mm   |                   |            | in    | mm   |                 |
| <b>A</b>   | .935  | 23.7 | .450  | 11.4 | .565  | 14.4 | .300 | .76  | 01                | <b>01</b>  | .300  | 7.6  | A thru M        |
| <b>B</b>   | 1.085 | 27.6 | .450  | 11.4 | .715  | 18.2 | .300 | .76  | 01 thru 02        | <b>02</b>  | .450  | 11.4 | B thru M        |
| <b>C</b>   | 1.235 | 31.4 | .450  | 11.4 | .865  | 22.0 | .300 | .76  | 01 thru 03        | <b>03</b>  | .600  | 15.2 | C thru M        |
| <b>D</b>   | 1.335 | 33.9 | .450  | 11.4 | .965  | 24.5 | .300 | .76  | 01 thru 04        | <b>04</b>  | .700  | 17.8 | D thru M        |
| <b>E</b>   | 1.485 | 37.7 | .450  | 11.4 | 1.115 | 28.3 | .300 | .76  | 01 thru 05        | <b>05</b>  | .850  | 21.6 | E thru M        |
| <b>F</b>   | 1.635 | 41.5 | .450  | 11.4 | 1.265 | 32.1 | .300 | .76  | 01 thru 06        | <b>06</b>  | .965  | 24.5 | F thru M        |
| <b>G</b>   | 1.585 | 40.3 | .533  | 13.5 | 1.215 | 30.9 | .383 | 9.7  | 01 thru 06        | <b>07</b>  | 1.155 | 29.3 | H thru M        |
| <b>H</b>   | 2.320 | 58.9 | .560  | 14.2 | 1.800 | 45.7 | .410 | 10.4 | 01 thru 08        | <b>08</b>  | 1.345 | 34.2 | H thru M        |
| <b>J</b>   | 1.990 | 50.5 | .450  | 11.4 | 1.615 | 41.0 | .300 | .76  | 01 thru 08        | <b>09</b>  | 1.460 | 37.1 | K thru M        |
| <b>K</b>   | 2.385 | 60.6 | .450  | 11.4 | 2.015 | 51.2 | .300 | .76  | 01 thru 12        | <b>10</b>  | 1.580 | 40.1 | K thru M        |
| <b>L</b>   | 2.556 | 64.9 | .560  | 14.2 | 2.036 | 51.7 | .410 | 10.4 | 01 thru 10        | <b>11</b>  | 1.760 | 44.7 | K               |
| <b>M</b>   | 2.720 | 69.1 | .620  | 15.7 | 2.200 | 55.9 | .470 | 11.9 | 01 thru 10, 12    | <b>12</b>  | 1.645 | 41.8 | K and M         |

### SCREWLOCKS

**CLIP**  
Clip has circular hole and square hole.

**ASSEMBLY**  
**INSTALL CLIP WITH SQUARE HOLE ON TOP.**  
Screw is floating. Mate connectors first, then fasten screwlocks.

### BAND OPTIONS

Terminate cable braid to backshell with optional band strap and banding tool. Pre-coiled bands are passivated stainless steel. Slim Standard bands have reduced thickness for weight reduction. Micro Slim bands have reduced thickness for weight reduction. Micro-Max bands are high-tension for lower-resistivity termination.

| Band Type and Width      | Hand Tool      | Pneumatic      |
|--------------------------|----------------|----------------|
| Standard: .24 (6.1)      | <b>601-100</b> | <b>601-106</b> |
| Slim Standard: .24 (6.1) | <b>601-109</b> | <b>601-110</b> |
| Micro: .12 (3.0)         | <b>601-101</b> | <b>601-107</b> |
| Micro Slim: .12 (3.0)    | <b>601-122</b> | <b>601-123</b> |
| Micro-Max: .12 (3.0)     | <b>601-129</b> | <b>601-118</b> |