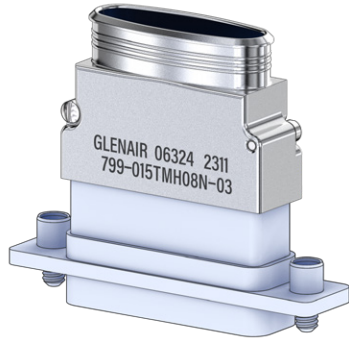




799-015

Piggyback EMI Banding Backshell

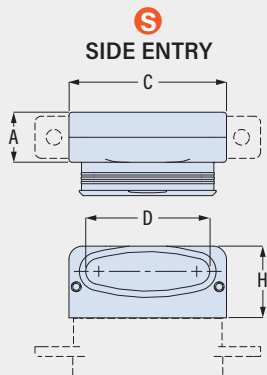
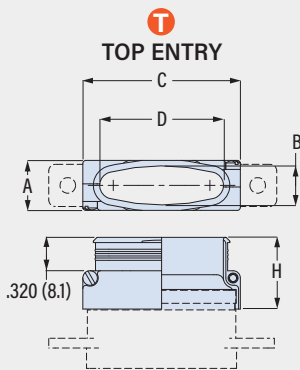
- Piggyback 2 Piece, Elliptical Entry
- Band-Master® Shield Termination
- Top and Side Entry



799-015

This accessory fits Series 790 and 791 connectors:
790-024, 790-025, 791-001, 791-003

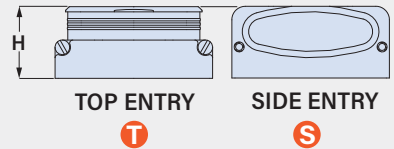
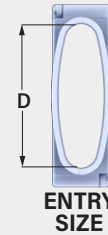
EMI, lightweight, split. 799-015 piggyback backshell fits Series 790 and 791 connectors with rear groove on shell. Terminate cable shield to backshell with BandMaster ATS band strap. Aluminum or stainless steel with stainless steel screws. Non-environmental.



PART NUMBER

Sample PN → 799-015T MT M 09 N -01

| Base P/N | 799-015T T Top Entry 799-015S S Side Entry | | | | | | | | | | | | | | | | | | | | | | | | | | | | | | | | | | | | | | | | | | | | | |
|-------------------|--|------------|---|------------|-------------|------------|-------------|-----|--------------|----------|--------------|-------------|--------------|----|-------------|----------|----|-------------|----------|----|-------------|----------|----|--------------|----------|----|--------------|----------|----|--------------|----------|----|--------------|----------|----|--------------|---------|----|--------------|----------|----|--------------|---|----|--------------|---|
| Material / Finish | TZ Alum / Tin-Zinc M Alum / Electroless Nickel MT Alum / Nickel-PTFE ZR Alum / Black Zinc-Nickel ZI SST / Passivated | | | | | | | | | | | | | | | | | | | | | | | | | | | | | | | | | | | | | | | | | | | | | |
| Shell Size | A B C D E F G H J K L M N | | | | | | | | | | | | | | | | | | | | | | | | | | | | | | | | | | | | | | | | | | | | | |
| Entry Size | <table border="1"> <thead> <tr> <th>Entry Size</th> <th>D</th> <th>Shell Size</th> </tr> </thead> <tbody> <tr><td>01</td><td>.140 (3.6)</td><td>A thru N</td></tr> <tr><td>02</td><td>.290 (7.4)</td><td>B thru N</td></tr> <tr><td>03</td><td>.440 (11.2)</td><td>C thru N</td></tr> <tr><td>04</td><td>.540 (13.7)</td><td>D thru N</td></tr> <tr><td>05</td><td>.690 (17.5)</td><td>E thru N</td></tr> <tr><td>06</td><td>.810 (20.6)</td><td>F thru N</td></tr> <tr><td>07</td><td>1.000 (25.4)</td><td>H thru N</td></tr> <tr><td>08</td><td>1.190 (30.2)</td><td>H thru N</td></tr> <tr><td>09</td><td>1.305 (33.1)</td><td>K thru N</td></tr> <tr><td>10</td><td>1.420 (36.1)</td><td>K thru N</td></tr> <tr><td>11</td><td>1.600 (40.6)</td><td>K and N</td></tr> <tr><td>12</td><td>1.500 (38.1)</td><td>K thru N</td></tr> <tr><td>13</td><td>1.750 (44.5)</td><td>N</td></tr> <tr><td>14</td><td>1.875 (47.6)</td><td>N</td></tr> </tbody> </table> | Entry Size | D | Shell Size | 01 | .140 (3.6) | A thru N | 02 | .290 (7.4) | B thru N | 03 | .440 (11.2) | C thru N | 04 | .540 (13.7) | D thru N | 05 | .690 (17.5) | E thru N | 06 | .810 (20.6) | F thru N | 07 | 1.000 (25.4) | H thru N | 08 | 1.190 (30.2) | H thru N | 09 | 1.305 (33.1) | K thru N | 10 | 1.420 (36.1) | K thru N | 11 | 1.600 (40.6) | K and N | 12 | 1.500 (38.1) | K thru N | 13 | 1.750 (44.5) | N | 14 | 1.875 (47.6) | N |
| Entry Size | D | Shell Size | | | | | | | | | | | | | | | | | | | | | | | | | | | | | | | | | | | | | | | | | | | | |
| 01 | .140 (3.6) | A thru N | | | | | | | | | | | | | | | | | | | | | | | | | | | | | | | | | | | | | | | | | | | | |
| 02 | .290 (7.4) | B thru N | | | | | | | | | | | | | | | | | | | | | | | | | | | | | | | | | | | | | | | | | | | | |
| 03 | .440 (11.2) | C thru N | | | | | | | | | | | | | | | | | | | | | | | | | | | | | | | | | | | | | | | | | | | | |
| 04 | .540 (13.7) | D thru N | | | | | | | | | | | | | | | | | | | | | | | | | | | | | | | | | | | | | | | | | | | | |
| 05 | .690 (17.5) | E thru N | | | | | | | | | | | | | | | | | | | | | | | | | | | | | | | | | | | | | | | | | | | | |
| 06 | .810 (20.6) | F thru N | | | | | | | | | | | | | | | | | | | | | | | | | | | | | | | | | | | | | | | | | | | | |
| 07 | 1.000 (25.4) | H thru N | | | | | | | | | | | | | | | | | | | | | | | | | | | | | | | | | | | | | | | | | | | | |
| 08 | 1.190 (30.2) | H thru N | | | | | | | | | | | | | | | | | | | | | | | | | | | | | | | | | | | | | | | | | | | | |
| 09 | 1.305 (33.1) | K thru N | | | | | | | | | | | | | | | | | | | | | | | | | | | | | | | | | | | | | | | | | | | | |
| 10 | 1.420 (36.1) | K thru N | | | | | | | | | | | | | | | | | | | | | | | | | | | | | | | | | | | | | | | | | | | | |
| 11 | 1.600 (40.6) | K and N | | | | | | | | | | | | | | | | | | | | | | | | | | | | | | | | | | | | | | | | | | | | |
| 12 | 1.500 (38.1) | K thru N | | | | | | | | | | | | | | | | | | | | | | | | | | | | | | | | | | | | | | | | | | | | |
| 13 | 1.750 (44.5) | N | | | | | | | | | | | | | | | | | | | | | | | | | | | | | | | | | | | | | | | | | | | | |
| 14 | 1.875 (47.6) | N | | | | | | | | | | | | | | | | | | | | | | | | | | | | | | | | | | | | | | | | | | | | |
| Band | N No Band M Micro Band Included J Micro Slim Band Included L Micro-Max Band Included | | | | | | | | | | | | | | | | | | | | | | | | | | | | | | | | | | | | | | | | | | | | | |
| Height Code | <table border="1"> <thead> <tr> <th>Code</th> <th>H</th> </tr> </thead> <tbody> <tr><td>-01</td><td>.810 (20.6)</td></tr> <tr><td>-02</td><td>.940 (23.9)</td></tr> <tr><td>-04</td><td>1.190 (30.2)</td></tr> <tr><td>-06</td><td>1.440 (36.6)</td></tr> <tr><td>-08</td><td>1.690 (42.9)</td></tr> </tbody> </table> | Code | H | -01 | .810 (20.6) | -02 | .940 (23.9) | -04 | 1.190 (30.2) | -06 | 1.440 (36.6) | -08 | 1.690 (42.9) | | | | | | | | | | | | | | | | | | | | | | | | | | | | | | | | | |
| Code | H | | | | | | | | | | | | | | | | | | | | | | | | | | | | | | | | | | | | | | | | | | | | | |
| -01 | .810 (20.6) | | | | | | | | | | | | | | | | | | | | | | | | | | | | | | | | | | | | | | | | | | | | | |
| -02 | .940 (23.9) | | | | | | | | | | | | | | | | | | | | | | | | | | | | | | | | | | | | | | | | | | | | | |
| -04 | 1.190 (30.2) | | | | | | | | | | | | | | | | | | | | | | | | | | | | | | | | | | | | | | | | | | | | | |
| -06 | 1.440 (36.6) | | | | | | | | | | | | | | | | | | | | | | | | | | | | | | | | | | | | | | | | | | | | | |
| -08 | 1.690 (42.9) | | | | | | | | | | | | | | | | | | | | | | | | | | | | | | | | | | | | | | | | | | | | | |



BAND OPTIONS

| Shell Size | A Max | B | C Max | Available Entries |
|------------|-----------|-----------|------------|-------------------|
| | in mm | in mm | in mm | |
| A | .385 9.8 | .270 6.9 | .485 12.3 | 01 |
| B | .385 9.8 | .270 6.9 | .635 16.1 | 01 thru 02 |
| C | .385 9.8 | .270 6.9 | .785 19.9 | 01 thru 03 |
| D | .385 9.8 | .270 6.9 | .885 22.5 | 01 thru 04 |
| E | .385 9.8 | .270 6.9 | 1.035 26.3 | 01 thru 05 |
| F | .385 9.8 | .270 6.9 | 1.185 30.1 | 01 thru 06 |
| G | .465 11.8 | .350 8.9 | 1.145 29.1 | 01 thru 06 |
| H | .495 12.6 | .380 9.7 | 1.525 38.7 | 01 thru 08 |
| J | .385 9.8 | .270 6.9 | 1.545 39.2 | 01 thru 08 |
| K | .385 9.8 | .270 6.9 | 1.945 49.4 | 01 thru 12 |
| L | .495 12.6 | .380 9.7 | 1.765 44.8 | 01 thru 10 |
| M | .555 14.1 | .440 11.2 | 1.830 46.5 | 01 thru 10, 12 |
| N | .650 16.5 | .535 13.6 | 2.200 55.9 | 01 thru 14 |

Terminate cable braid to backshell with optional band strap and banding tool. Pre-coiled bands are passivated stainless steel. Micro Slim bands have reduced thickness for weight reduction. Micro-Max bands are high-tension for lower-resistivity termination.



| Band Type and Width | Hand Tool | Pneumatic Tool |
|-----------------------|-----------|----------------|
| Micro: .12 (3.0) | 601-101 | 601-107 |
| Micro Slim: .12 (3.0) | 601-122 | 601-123 |
| Micro-Max: .12 (3.0) | 601-129 | 601-118 |

SERIES 79 MICRO-CRIMP ACCESSORIES