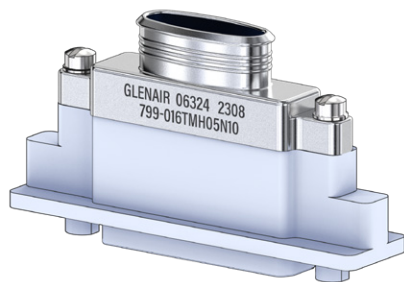




799-016

Piggyback EMI Banding Backshell, Panel Mount

- Solid, Elliptical Entry
- Band-Master® Shield Termination
- Top, Side and 45° Entry



799-016

This accessory fits Series 790 and 791 panel mount connectors:
790-026, 790-027, 790-049, 790-050, 791-017, 791-018, 791-019, 791-020

EMI, lightweight. 799-016 piggyback backshell fits panel mount Series 790 and 791 connectors. Terminate cable shield to backshell with BandMaster ATS band strap. Aluminum or stainless steel with stainless steel screws. Non-environmental.

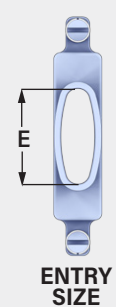
BAND OPTIONS

Terminate cable braid to backshell with optional band strap and banding tool. Pre-coiled bands are passivated stainless steel. Micro Slim bands have reduced thickness for weight reduction. Micro-Max bands are high-tension for lower-resistivity termination.

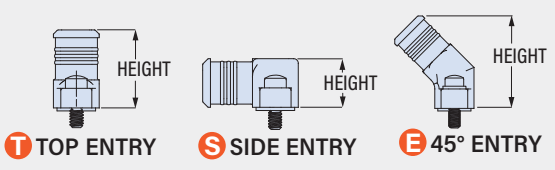
Band Type and Width	Hand Tool	Pneumatic Tool
Micro: .12 (3.0)	601-101	601-107
Micro Slim: .12 (3.0)	601-122	601-123
Micro-Max: .12 (3.0)	601-129	601-118

PART NUMBER

Sample PN →		799-016T	MT	L	07	N	12							
Base P/N	799-016T	T Top Entry												
	799-016S	S Side Entry												
	799-016E	E 45° Entry												
Material / Finish	TZ	Alum / Tin-Zinc												
	M	Alum / Electroless Nickel												
	MT	Alum / Nickel-PTFE												
	ZR	Alum / Black Zinc-Nickel												
	ZI	SST / Passivated												
Shell Size	A	B	C	D	E	F	G	H	J	K	L	M	N	
Entry Size	Entry Size	E	Shell Size											
	01	.255 (6.5)	A thru N											
	02	.405 (10.3)	B thru N											
	03	.555 (14.1)	C thru N											
	04	.655 (16.6)	D thru N											
	05	.805 (20.4)	E thru N											
	06	.920 (23.4)	F thru N											
	07	1.110 (28.2)	H thru N											
	08	1.300 (33.0)	H thru N											
	09	1.415 (35.9)	K thru N											
	10	1.535 (39.0)	K thru N											
	11	1.705 (43.3)	K and N											
	12	1.600 (40.6)	K, M, N											
	13	2.000 (50.8)	N											
Band	N	No Band												
	M	Micro Band Included												
	J	Micro Slim Band Included												
	L	Micro-Max Band Included												



Height Code	Code	Height	Shell Size		
			T Top	E 45°	S Side
	05	.313 (8.0)	—	—	A-F, J, K
	08	.500 (12.7)	—	—	A thru M
	10	.625 (15.9)	A thru L	—	A thru N
	12	.750 (19.1)	A thru N	A-F, J, K	A thru N
	14	.875 (22.2)	A thru N	A thru M	G, H, L, M, N
	16	1.000 (25.4)	A thru N	A thru N	G, H, L, M, N
	18	1.125 (28.6)	A thru N	G, H, L, M, N	M, N
	20	1.250 (31.8)	G, H, L, M, N	G, H, L, M, N	M, N

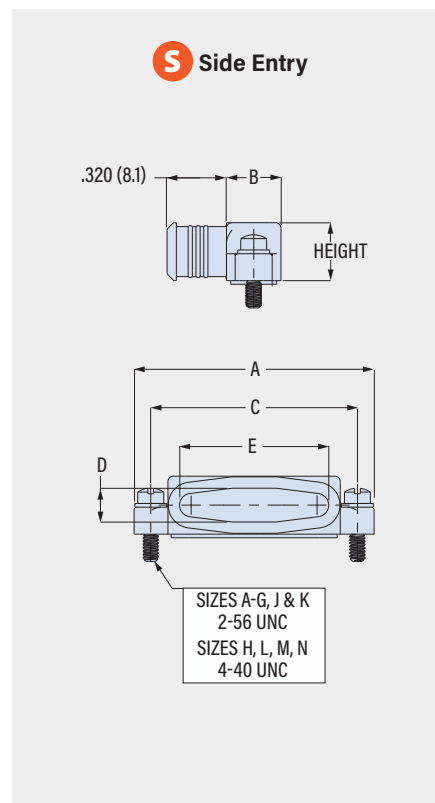
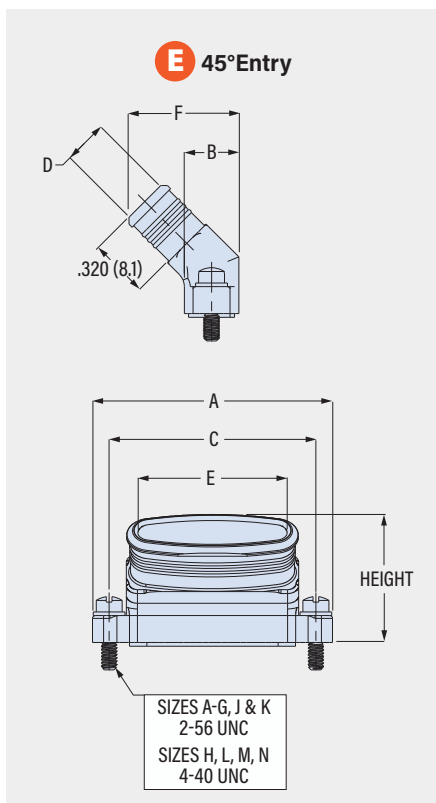
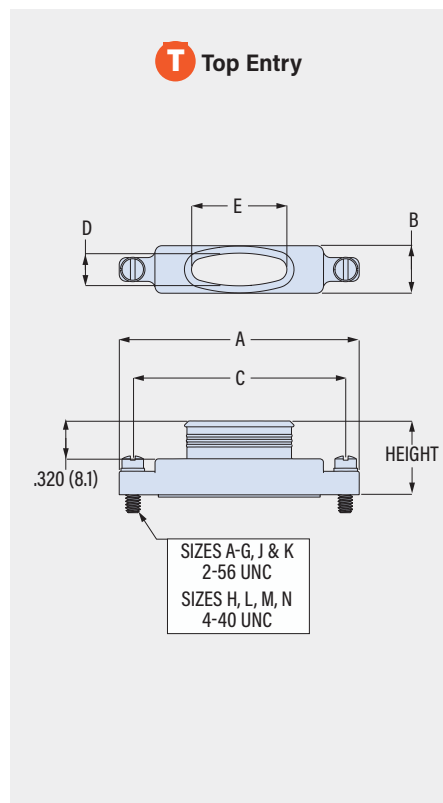


SERIES 79 MICRO-CRIMP ACCESSORIES

799-016

Piggyback EMI Banding Backshell, Panel Mount

- Solid, Elliptical Entry
- Band-Master® Shield Termination
- Top, Side and 45° Entry



Shell Size	A Max		B Max		C		D		F		Available Entries
	in	mm	in	mm	in	mm	in	mm	in	mm	
A	.760	19.3	.308	7.8	.565	14.4	.190	4.8	.59	15.0	01
B	.910	23.1	.308	7.8	.715	18.2	.190	4.8	.59	15.0	01 thru 02
C	1.060	26.9	.308	7.8	.865	22.0	.190	4.8	.59	15.0	01 thru 03
D	1.160	29.5	.308	7.8	.965	24.5	.190	4.8	.59	15.0	01 thru 04
E	1.310	33.3	.308	7.8	1.115	28.3	.190	4.8	.59	15.0	01 thru 05
F	1.460	37.1	.308	7.8	1.265	32.1	.190	4.8	.59	15.0	01 thru 06
G	1.410	35.8	.395	10.0	1.215	30.9	.275	7.0	.68	17.3	01 thru 06
H	2.045	51.9	.410	10.4	1.800	45.7	.300	7.6	.70	17.8	01 thru 08
J	1.810	46.0	.308	7.8	1.615	41.0	.190	4.8	.59	15.0	01 thru 08
K	2.210	56.1	.308	7.8	2.015	51.2	.190	4.8	.59	15.0	01 thru 12
L	2.281	57.9	.410	10.4	2.036	51.7	.300	7.6	.70	17.8	01 thru 10
M	2.445	62.1	.470	11.9	2.200	55.9	.360	9.1	.76	19.3	01 thru 10, 12
N	2.645	67.2	.534	13.6	2.350	59.7	.425	10.8	.83	21.1	01 thru 13

Entry Size	E		Available Sizes
	in	mm	
01	.255	6.5	A thru N
02	.405	10.3	B thru N
03	.555	14.1	C thru N
04	.655	16.6	D thru N
05	.805	20.4	E thru N
06	.920	23.4	F thru N
07	1.110	28.2	H thru N
08	1.300	33.0	H thru N
09	1.415	35.9	K thru N
10	1.535	39.0	K thru N
11	1.705	43.3	K and N
12	1.600	40.6	K, M, N
13	2.000	50.8	N

SERIES 79 MICRO-CRIMP ACCESSORIES