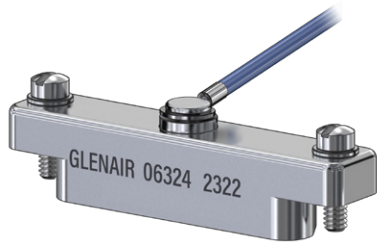


# Series 79 Micro-Crimp®



## 799-018 and 799-019 Protective Cover, Series 790

- Fits Series 790 Connectors
- Environmental
- Conductive EMI Gasket



### 799-018, 799-019

This accessory fits Series 790 Micro-Crimp plug and receptacle connectors

Protective cover has conductive gasket for dust, moisture and EMI protection. Available with lanyard for panel or cable attachment. Aluminum with stainless steel screws and washers. Gasket is Cho-Seal 1287 Ag/Al-filled fluorosilicone.

**TABLE 1**  
ATTACHMENT TYPE

**F** Wire Rope, Blue Nylon Jacket  
6/6 nylon over stainless steel rope, fair flexibility, good abrasion resistance, -55 to +100 °C

**G** Black Nylon Rope  
Very flexible, good abrasion and fuel resistance, .062 (1.6) diameter, -55 to +100 °C



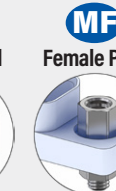
**H** Wire Rope, Clear FEP Jacket  
Clear FEP jacket over SST rope, fair flexibility, good abrasion resistance, .100" diameter, -65 to +200 °C

**SK** Nylon Rope with Slip Knot  
Very flexible, good abrasion and fuel resistance, .094 (2.4) diameter. Length includes .5" (13mm) dia. loop, -55 to +100 °C

**T** SST Wire Rope, No Jacket  
Good flexibility, good abrasion resistance, .047 (1.2) diameter, passivated, -65 to +200 °C

### PART NUMBER

Sample PN → **799-018 M F MB F 6 -06**

<b>Base P/N</b>	<b>799-018</b> Plug Cover <b>799-019</b> Receptacle Cover																																																												
<b>Finish</b>	<b>TZ</b> Tin-Zinc <b>M</b> Electroless Nickel <b>MT</b> Nickel-PTFE <b>ZR</b> Black Zinc-Nickel																																																												
<b>Shell Size</b>	<b>A B C D E F G H J K L M</b>																																																												
<b>Screwlocks</b>	<div style="display: flex; justify-content: space-around;"> <div style="text-align: center;">  <p><b>MB</b> Fillister Head</p> </div> <div style="text-align: center;">  <p><b>MH</b> Socket Head</p> </div> <div style="text-align: center;">  <p><b>MF</b> Female Post</p> </div> </div> <p>- Jackscrews Omitted</p>																																																												
<b>Attachment Type (Table 1)</b>	<b>N</b> No Attachment <b>F</b> SST Wire Rope, Nylon Jacket <b>G</b> Nylon Rope <b>H</b> SST Wire Rope, FEP Jacket <b>SK</b> Nylon Rope with Slip Knot <b>T</b> SST Wire Rope, No Jacket																																																												
<b>Attachment Length</b>	Omit If No Attachment Length in One Inch Increments																																																												
<b>Attachment Ring</b>	Omit If No Attachment Omit for Attachment Type SK <table border="1" style="width: 100%; text-align: center;"> <thead> <tr> <th colspan="2">EYELET</th> <th colspan="2">RING</th> <th colspan="2">SPLIT RING</th> </tr> <tr> <th>Code</th> <th>Eyelet I.D.</th> <th>Code</th> <th>Ring I.D.</th> <th>Code</th> <th>Ring I.D.</th> </tr> </thead> <tbody> <tr> <td>-01</td> <td>.125 (3.2)</td> <td>-14</td> <td>.385 (9.8)</td> <td>-50</td> <td>.425 (10.8)</td> </tr> <tr> <td>-02</td> <td>.140 (3.6)</td> <td>-15</td> <td>.445 (11.3)</td> <td>-52</td> <td>.485 (12.3)</td> </tr> <tr> <td>-04</td> <td>.182 (4.6)</td> <td>-16</td> <td>.570 (14.5)</td> <td>-54</td> <td>.640 (16.3)</td> </tr> <tr> <td>-06</td> <td>.197 (5.0)</td> <td>-17</td> <td>.635 (16.1)</td> <td>-56</td> <td>.750 (19.1)</td> </tr> <tr> <td></td> <td></td> <td>-18</td> <td>.695 (17.7)</td> <td>-58</td> <td>.890 (22.6)</td> </tr> <tr> <td></td> <td></td> <td>-19</td> <td>.885 (22.5)</td> <td>-60</td> <td>1.010 (25.7)</td> </tr> <tr> <td></td> <td></td> <td>-20</td> <td>1.070 (27.2)</td> <td>-64</td> <td>1.125 (28.6)</td> </tr> <tr> <td></td> <td></td> <td></td> <td></td> <td>-68</td> <td>1.345 (34.2)</td> </tr> </tbody> </table>	EYELET		RING		SPLIT RING		Code	Eyelet I.D.	Code	Ring I.D.	Code	Ring I.D.	-01	.125 (3.2)	-14	.385 (9.8)	-50	.425 (10.8)	-02	.140 (3.6)	-15	.445 (11.3)	-52	.485 (12.3)	-04	.182 (4.6)	-16	.570 (14.5)	-54	.640 (16.3)	-06	.197 (5.0)	-17	.635 (16.1)	-56	.750 (19.1)			-18	.695 (17.7)	-58	.890 (22.6)			-19	.885 (22.5)	-60	1.010 (25.7)			-20	1.070 (27.2)	-64	1.125 (28.6)					-68	1.345 (34.2)
EYELET		RING		SPLIT RING																																																									
Code	Eyelet I.D.	Code	Ring I.D.	Code	Ring I.D.																																																								
-01	.125 (3.2)	-14	.385 (9.8)	-50	.425 (10.8)																																																								
-02	.140 (3.6)	-15	.445 (11.3)	-52	.485 (12.3)																																																								
-04	.182 (4.6)	-16	.570 (14.5)	-54	.640 (16.3)																																																								
-06	.197 (5.0)	-17	.635 (16.1)	-56	.750 (19.1)																																																								
		-18	.695 (17.7)	-58	.890 (22.6)																																																								
		-19	.885 (22.5)	-60	1.010 (25.7)																																																								
		-20	1.070 (27.2)	-64	1.125 (28.6)																																																								
				-68	1.345 (34.2)																																																								

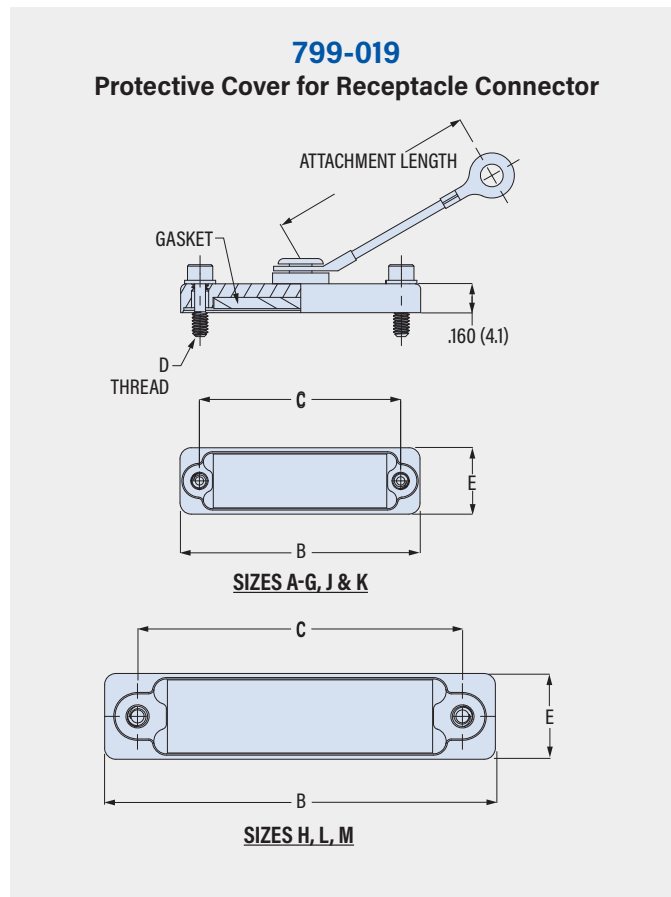
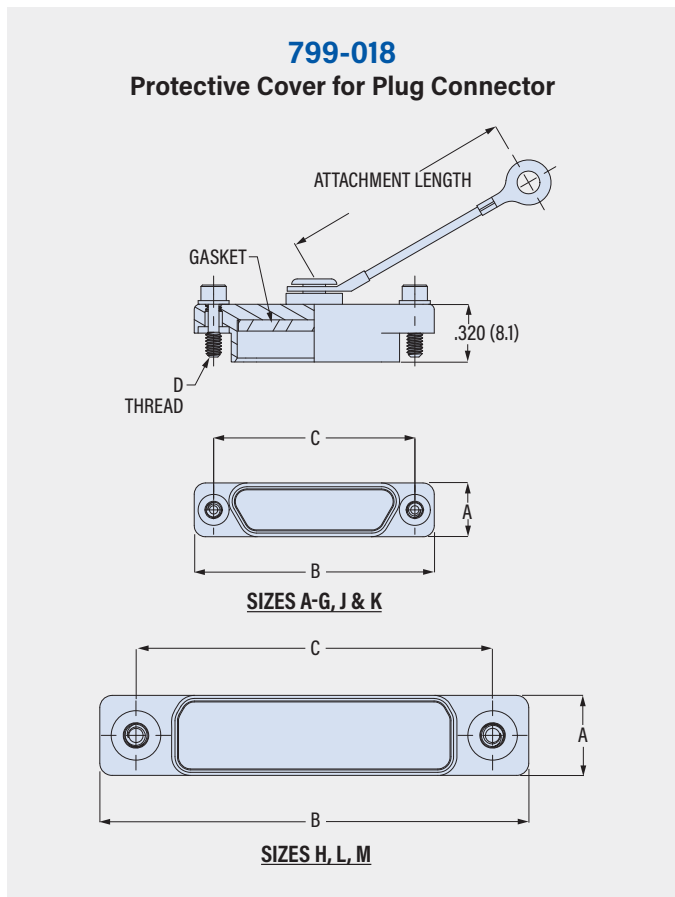
SERIES 79 MICRO-CRIMP ACCESSORIES

# Series 79 Micro-Crimp®

## 799-018 and 799-019 Protective Cover, Series 790

- Fits Series 790 Connectors
- Environmental
- Conductive EMI Gasket

SERIES 79 MICRO-CRIMP ACCESSORIES



Shell Size	A Max		B Max		C		D Thread	E	
	in	mm	in	mm	in	mm		in	mm
<b>A</b>	.308	7.8	.785	19.9	.565	14.4	2-56 UNC	.385	9.8
<b>B</b>	.308	7.8	.935	23.7	.715	18.2	2-56 UNC	.385	9.8
<b>C</b>	.308	7.8	1.085	27.6	.865	22.0	2-56 UNC	.385	9.8
<b>D</b>	.308	7.8	1.185	30.1	.965	24.5	2-56 UNC	.385	9.8
<b>E</b>	.308	7.8	1.335	33.9	1.115	28.3	2-56 UNC	.385	9.8
<b>F</b>	.308	7.8	1.485	37.7	1.265	32.1	2-56 UNC	.385	9.8
<b>G</b>	.395	10.0	1.435	36.4	1.215	30.9	2-56 UNC	.470	11.9
<b>H</b>	.410	10.4	2.170	55.1	1.800	45.7	4-40 UNC	.490	12.4
<b>J</b>	.308	7.8	1.845	46.9	1.615	41.0	2-56 UNC	.385	9.8
<b>K</b>	.308	7.8	2.240	56.9	2.015	51.2	2-56 UNC	.385	9.8
<b>L</b>	.410	10.4	2.406	61.1	2.036	51.7	4-40 UNC	.490	12.4
<b>M</b>	.470	11.9	2.570	65.3	2.200	55.9	6-32 UNC	.550	14.0