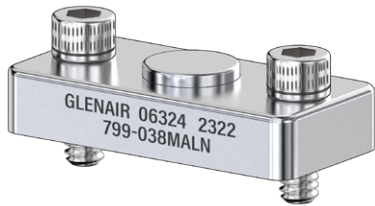


Series 79 Micro-Crimp®



799-038 and 799-039 Protective Cover, Series 791

- Fits Series 791 Connectors
- Environmental
- Conductive EMI Gasket








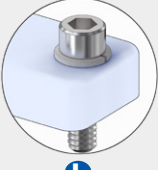
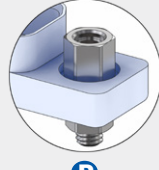
799-038, 799-039

This accessory fits Series 791 Scoop-Proof Micro-Crimp plug and receptacle connectors

Protective cover has conductive gasket for dust, moisture and EMI protection. Plug cover has internal copper alloy ground spring. Available with lanyard for panel or cable attachment. Aluminum with stainless steel screws and washers. Gasket is Cho-Seal 6503 Ni/Al-filled fluorosilicone.

TABLE 1
ATTACHMENT TYPE

F		Wire Rope, Blue Nylon Jacket 6/6 nylon over stainless steel rope, fair flexibility, good abrasion resistance, -55 to +100 °C
G		Black Nylon Rope Very flexible, good abrasion and fuel resistance, .062 (1.6) diameter, -55 to +100 °C
H		Wire Rope, Clear FEP Jacket Clear FEP jacket over SST rope, fair flexibility, good abrasion resistance, .100" diameter, -65 to +200 °C
SK		Nylon Rope with Slip Knot Very flexible, good abrasion and fuel resistance, .094 (2.4) diameter. Length includes .5" (13mm) dia. loop, -55 to +100 °C
T		SST Wire Rope, No Jacket Good flexibility, good abrasion resistance, .047 (1.2) diameter, passivated, -65 to +200 °C

PART NUMBER																																																													
Sample PN →	799-038 M K L F 6 -01																																																												
Base P/N	799-038 Receptacle Cover 799-039 Plug Cover																																																												
Finish	TZ Tin-Zinc M Electroless Nickel MT Nickel-PTFE ZR Black Zinc-Nickel																																																												
Shell Size	A B C D E F G H J K L M																																																												
Hardware	L Socket Head Male Jackscrews P Female Hex Jackposts  L Socket Head Male  P Female Post																																																												
Attachment Type (Table 1)	N No Attachment F SST Wire Rope, Nylon Jacket G Nylon Rope H SST Wire Rope, FEP Jacket SK Nylon Rope with Slip Knot T SST Wire Rope, No Jacket																																																												
Attachment Length	Omit If No Attachment Length in One Inch Increments																																																												
Attachment Ring	Omit If No Attachment Omit for Attachment Type SK <table border="1"> <thead> <tr> <th colspan="2">EYELET</th> <th colspan="2">RING</th> <th colspan="2">SPLIT RING</th> </tr> <tr> <th>Code</th> <th>Eyelet I.D.</th> <th>Code</th> <th>Ring I.D.</th> <th>Code</th> <th>Ring I.D.</th> </tr> </thead> <tbody> <tr> <td>-01</td> <td>.125 (3.2)</td> <td>-14</td> <td>.385 (9.8)</td> <td>-50</td> <td>.425 (10.8)</td> </tr> <tr> <td>-02</td> <td>.140 (3.6)</td> <td>-15</td> <td>.445 (11.3)</td> <td>-52</td> <td>.485 (12.3)</td> </tr> <tr> <td>-04</td> <td>.182 (4.6)</td> <td>-16</td> <td>.570 (14.5)</td> <td>-54</td> <td>.640 (16.3)</td> </tr> <tr> <td>-06</td> <td>.197 (5.0)</td> <td>-17</td> <td>.635 (16.1)</td> <td>-56</td> <td>.750 (19.1)</td> </tr> <tr> <td></td> <td></td> <td>-18</td> <td>.695 (17.7)</td> <td>-58</td> <td>.890 (22.6)</td> </tr> <tr> <td></td> <td></td> <td>-19</td> <td>.885 (22.5)</td> <td>-60</td> <td>1.010 (25.7)</td> </tr> <tr> <td></td> <td></td> <td>-20</td> <td>1.070 (27.2)</td> <td>-64</td> <td>1.125 (28.6)</td> </tr> <tr> <td></td> <td></td> <td></td> <td></td> <td>-68</td> <td>1.345 (34.2)</td> </tr> </tbody> </table>	EYELET		RING		SPLIT RING		Code	Eyelet I.D.	Code	Ring I.D.	Code	Ring I.D.	-01	.125 (3.2)	-14	.385 (9.8)	-50	.425 (10.8)	-02	.140 (3.6)	-15	.445 (11.3)	-52	.485 (12.3)	-04	.182 (4.6)	-16	.570 (14.5)	-54	.640 (16.3)	-06	.197 (5.0)	-17	.635 (16.1)	-56	.750 (19.1)			-18	.695 (17.7)	-58	.890 (22.6)			-19	.885 (22.5)	-60	1.010 (25.7)			-20	1.070 (27.2)	-64	1.125 (28.6)					-68	1.345 (34.2)
EYELET		RING		SPLIT RING																																																									
Code	Eyelet I.D.	Code	Ring I.D.	Code	Ring I.D.																																																								
-01	.125 (3.2)	-14	.385 (9.8)	-50	.425 (10.8)																																																								
-02	.140 (3.6)	-15	.445 (11.3)	-52	.485 (12.3)																																																								
-04	.182 (4.6)	-16	.570 (14.5)	-54	.640 (16.3)																																																								
-06	.197 (5.0)	-17	.635 (16.1)	-56	.750 (19.1)																																																								
		-18	.695 (17.7)	-58	.890 (22.6)																																																								
		-19	.885 (22.5)	-60	1.010 (25.7)																																																								
		-20	1.070 (27.2)	-64	1.125 (28.6)																																																								
				-68	1.345 (34.2)																																																								

SERIES 79 MICRO-CRIMP ACCESSORIES

Series 79 Micro-Crimp®

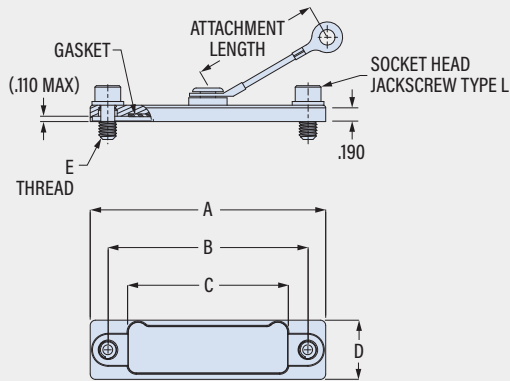
799-038 and 799-039 Protective Cover, Series 791

- Fits Series 791 Connectors
- Environmental
- Conductive EMI Gasket

SERIES 79 MICRO-CRIMP ACCESSORIES

799-038

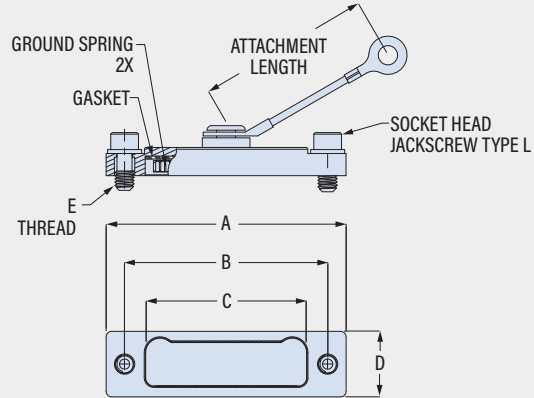
Protective Cover for Series 791 Receptacle Connector



JACKPOST TYPE P

799-039

Protective Cover for Series 791 Plug Connector



JACKPOST TYPE P

Shell Size	A		B		C Max		D Max		E Thread
	in	mm	in	mm	in	mm	in	mm	
A	1.005	25.5	.750	19.1	.525	13.3	.500	12.7	4-40 UNC
B	1.155	29.3	.900	22.9	.675	17.1	.500	12.7	4-40 UNC
C	1.305	33.1	1.050	26.7	.825	21.0	.500	12.7	4-40 UNC
D	1.380	35.1	1.125	28.6	.900	22.9	.500	12.7	4-40 UNC
E	1.530	38.9	1.275	32.4	1.050	26.7	.500	12.7	4-40 UNC
F	1.680	42.7	1.425	36.2	1.200	30.5	.500	12.7	4-40 UNC
G	1.643	41.7	1.388	35.3	1.162	29.5	.595	15.1	4-40 UNC
H	2.295	58.3	1.900	48.3	1.556	39.5	.615	15.6	6-32 UNC
J	2.055	52.2	1.800	45.7	1.575	40.0	.500	12.7	4-40 UNC
K	2.430	61.7	2.175	55.2	1.950	49.5	.500	12.7	4-40 UNC
L	2.531	64.3	2.136	54.3	1.792	45.5	.615	15.6	6-32 UNC
M	2.600	66.0	2.200	55.9	1.855	47.1	.710	18.0	8-32 UNC

Shell Size	A		B		C Max		D Max		E Thread
	in	mm	in	mm	in	mm	in	mm	
A	.975	24.8	.750	19.1	.445	11.3	.415	10.5	4-40 UNC
B	1.125	28.6	.900	22.9	.595	15.1	.415	10.5	4-40 UNC
C	1.275	32.4	1.050	26.7	.745	18.9	.415	10.5	4-40 UNC
D	1.350	34.3	1.125	28.6	.820	20.8	.415	10.5	4-40 UNC
E	1.500	38.1	1.275	32.4	.970	24.6	.415	10.5	4-40 UNC
F	1.650	41.9	1.425	36.2	1.120	28.4	.415	10.5	4-40 UNC
G	1.608	40.8	1.388	35.3	1.082	27.5	.500	12.7	4-40 UNC
H	2.275	57.8	1.900	48.3	1.472	37.4	.520	13.2	6-32 UNC
J	2.025	51.4	1.800	45.7	1.495	38.0	.415	10.5	4-40 UNC
K	2.400	61.0	2.175	55.2	1.865	47.4	.415	10.5	4-40 UNC
L	2.511	63.8	2.136	54.3	1.708	43.4	.520	13.2	6-32 UNC
M	2.515	63.9	2.200	55.9	1.769	44.9	.610	15.5	8-32 UNC