

799-064, 799-065

Dust Cap, Anti-Static, Series 791

SERIES 79 MICRO-CRIMP ACCESSORIES



799-064, 799-065

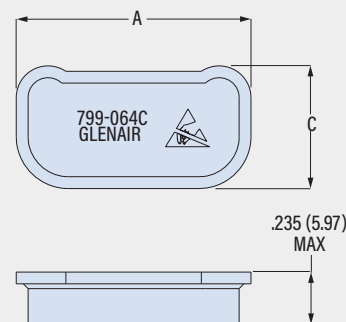
This accessory fits Series 791 Scoop-Proof connectors.

Permanently anti-static. Non-sloughing. Molded dust caps protect Series 790 connectors from contamination and static discharge.

- **Black LDPE Material**
- **Static Decay per MIL-PRF-81705**
- **Surface Resistivity: 1E5 to 9.9E11 Ohm/SQ**
- **Static Decay: <2 sec @ 5kV to 50V, 12% RH**

		PART NUMBER				
Shell Size	Type	Part No.	A Max in	A Max mm	C Max in	C Max mm
A	Plug	799-064A	.628	16.0	.524	13.3
	Recep	799-065A	.698	17.7	.594	15.1
B	Plug	799-064B	.778	19.8	.524	13.3
	Recep	799-065B	.848	21.5	.594	15.1
C	Plug	799-064C	.928	23.6	.524	13.3
	Recep	799-065C	.998	25.3	.594	15.1
D	Plug	799-064D	1.003	25.5	.524	13.3
	Recep	799-065D	1.073	27.3	.594	15.1
E	Plug	799-064E	1.153	29.3	.524	13.3
	Recep	799-065E	1.223	31.1	.594	15.1
F	Plug	799-064F	1.303	33.1	.524	13.3
	Recep	799-065F	1.373	34.9	.594	15.1
G	Plug	799-064G	1.265	32.1	.612	15.5
	Recep	799-065G	1.335	33.9	.682	17.3
H	Plug	799-064H	1.655	42.0	.630	16.0
	Recep	799-065H	1.725	43.8	.700	17.8
J	Plug	799-064J	1.678	42.6	.524	13.3
	Recep	799-065J	1.748	44.4	.594	15.1
K	Plug	799-064K	2.053	52.1	.524	13.3
	Recep	799-065K	2.123	53.9	.594	15.1
L	Plug	799-064L	1.891	48.0	.630	16.0
	Recep	799-065L	1.961	49.8	.700	17.8
M	Plug	799-064M	1.952	49.6	.714	18.1
	Recep	799-065M	2.022	51.4	.784	19.9

799-064
Anti-Static Dust Cap for Series 791 Plug Connector



799-065
Anti-Static Dust Cap for Series 791 Receptacle Connector

