

799-067

Shorting Cap, Piggyback, Series 79

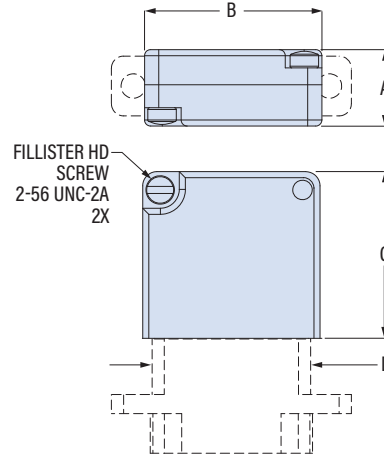


799-067

This accessory fits Series 790 and 791 connectors:
790-024, 790-025, 791-001, 791-003

Lightweight, split. 799-067 piggyback shorting cap fits Series 790 and 791 connectors with rear groove on shell. Aluminum or stainless steel with stainless steel screws. Non-environmental.

PART NUMBER	
Sample PN →	799-067 M H
Base P/N	799-067
Finish	TZ Tin-Zinc M Electroless Nickel MT Nickel-PTFE ZR Black Zinc-Nickel
Shell Size	A B C D E F G H J K L M



Shell Size	A Max		B Max		C Max		D Max	
	in	mm	in	mm	in	mm	in	mm
A	.390	9.9	.485	12.3	.915	23.2	.390	9.9
B	.390	9.9	.635	16.1	.915	23.2	.540	13.7
C	.390	9.9	.785	19.9	.915	23.2	.690	17.5
D	.390	9.9	.885	22.5	.915	23.2	.790	20.1
E	.390	9.9	1.035	26.3	.915	23.2	.940	23.9
F	.390	9.9	1.185	30.1	.915	23.2	1.090	27.7
G	.470	11.9	1.145	29.1	.915	23.2	1.055	26.8
H	.500	12.7	1.525	38.7	1.165	29.6	1.440	36.6
J	.390	9.9	1.545	39.2	.915	23.2	1.450	36.8
K	.390	9.9	1.945	49.4	.915	23.2	1.840	46.7
L	.500	12.7	1.765	44.8	1.165	29.6	1.675	42.5
M	.560	14.2	1.830	46.5	1.300	33.0	1.740	44.2

SERIES 79 MICRO-CRIMP ACCESSORIES