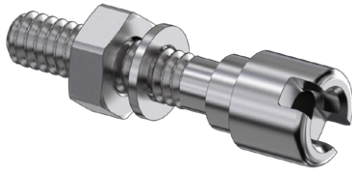


Micro-D

177-504, 179-221 Jackpost Kit, Rear Panel Mount

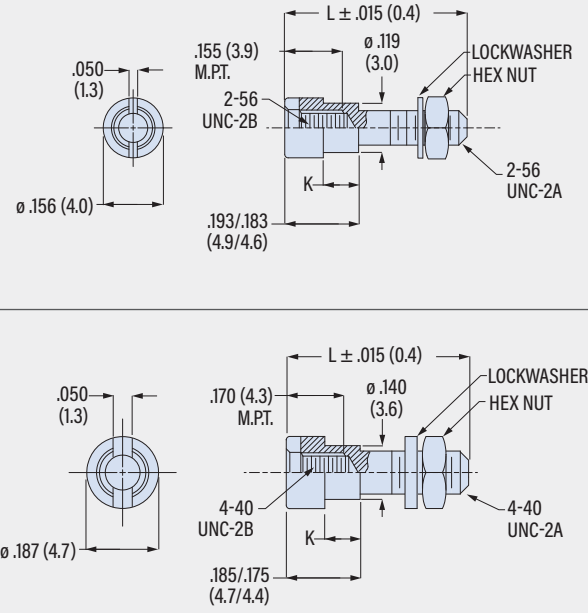
- Rear Panel Mount
- Fits M83513 and MWDM Micro-D



Rear panel mount jackpost kits fit M83513 and MWDM Micro-D connectors. Two thread sizes: 2-56 for size 9 to 69, 4-40 for sizes 79, 100 and 130. Kit consists of (2) female posts, (2) hex nuts and (2) lockwashers. For panel thicknesses from 1/32 to 1/8 inch. Passivated 300 series stainless steel.

REAR PANEL MOUNT JACKPOST KIT with (2) posts, (2) nuts and (2) lockwashers

A Thread Size	Micro-D Size	Panel Thickness		L Length (OAL)		Part No.	K ± .003 (0.08)	
		in	mm	in	mm		in	mm
2-56	9-69	1/32	0.8	.475	12.1	177-504-2-2	.024	0.61
				.600	15.2	179-221-2-2-3		
		3/64	1.2	.475	12.1	177-504-2-3	.041	1.04
				.600	15.2	179-221-2-3-3		
		1/16	1.6	.475	12.1	177-504-2-4	.055	1.40
				.600	15.2	179-221-2-4-3		
		.080	2.0	.475	12.1	177-504-2-7	.073	1.85
.600	15.2			179-221-2-7-3				
3/32	2.4	.475	12.1	177-504-2-5	.086	2.18		
		.600	15.2	179-221-2-5-3				
1/8	3.2	.475	12.1	177-504-2-6	.118	3.00		
		.600	15.2	179-221-2-6-3				
4-40	75-130	1/32	0.8	.475	12.1	177-504-4-2	.024	0.61
				.600	15.2	179-221-4-2-3		
		3/64	1.2	.475	12.1	177-504-4-3	.041	1.04
				.600	15.2	179-221-4-3-3		
		1/16	1.6	.475	12.1	177-504-4-4	.055	1.40
				.600	15.2	179-221-4-4-3		
		.080	2.0	.475	12.1	177-504-4-7	.073	1.85
.600	15.2			179-221-4-7-3				
3/32	2.4	.475	12.1	177-504-4-5	.086	2.18		
		.600	15.2	179-221-4-5-3				
1/8	3.2	.475	12.1	177-504-4-6	.118	3.00		
		.600	15.2	179-221-4-6-3				



RECOMMENDED PANEL CUTOUT FOR REAR PANEL MOUNT MICRO-D CONNECTORS

Shell Size	C		D		E		G	
	± .005 (0.13) in	mm	± .005 (0.13) in	mm	± .005 (0.13) in	mm	in	mm
09	.406	10.3	.565	14.4	.256	6.5	.125	3.2
15	.556	14.1	.715	18.2	.256	6.5	.125	3.2
21	.706	17.9	.865	22.0	.256	6.5	.125	3.2
25	.806	20.5	.965	24.5	.256	6.5	.125	3.2
31	.956	24.3	1.115	28.3	.256	6.5	.125	3.2
37	1.106	28.1	1.265	32.1	.256	6.5	.125	3.2
51	1.056	26.8	1.215	30.9	.300	7.6	.125	3.2
100	1.520	38.6	1.800	45.7	.406	10.3	.147	3.7

