

Micro-D

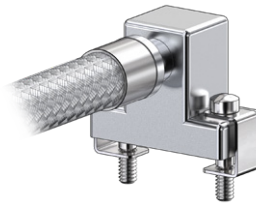
500-011

EMI Braidsock Backshell

- Solid Backshell with Braidsock
- EMI Shielded
- Top, Side and 45° Entry



T Top Entry



S Side Entry



E 45° Entry

500-011

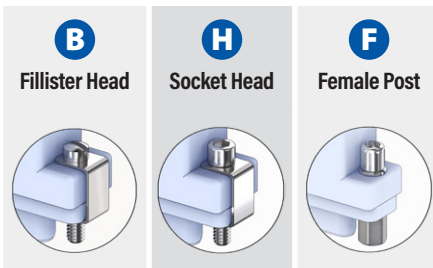
This accessory fits MWDM and M83513 Class M metal shell Micro-D connectors

EMI, shield sock. 500-011 backshell fits MIL-DTL-83513 Class M and Glenair MWDM Micro-D connectors with metal shell. Supplied with tubular tinned copper braid. Aluminum or stainless steel with passivated stainless steel screws and retainer clips. Crimp ring is tin-plated copper.



- Soft-drawn tin-plated copper braid
- I.A.W. AA59569R36T
- EMI frequency effective to 1 GHz
- 150°C
- 90° Optical Coverage

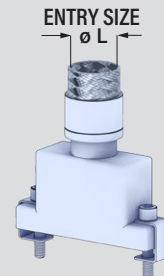
TABLE 1
SCREWLOCK OPTIONS



PART NUMBER

Sample PN → **500T011 M 51 H 08 -12**

Base P/N	500T011 T Top Entry																														
	500S011 S Side Entry																														
	500E011 E 45° Entry																														
Material / Finish	TZ Tin-Zinc JF Alum / Cadmium w/ Yel. Chromate M Alum / Electroless Nickel MT Alum / Nickel-PTFE ZR Alum / Black Zinc-Nickel Z1 SST / Passivated Z2 Alum / Gold																														
Shell Size	09 15 21 25 31 37 51 51-2 67 69 100																														
Screwlocks (Table 1)	B Fillister Head Male H Socket Head Male F Female Jackpost																														
Entry Size	<table border="1"> <thead> <tr> <th>Entry Size</th> <th>L Diameter</th> <th>Shell Size</th> </tr> </thead> <tbody> <tr><td>04</td><td>.125 (3.2)</td><td>All</td></tr> <tr><td>05</td><td>.156 (4.0)</td><td>All</td></tr> <tr><td>06</td><td>.188 (4.8)</td><td>All</td></tr> <tr><td>07</td><td>.219 (5.6)</td><td>All</td></tr> <tr><td>08</td><td>.250 (6.4)</td><td>All</td></tr> <tr><td>09</td><td>.281 (7.1)</td><td>15-up</td></tr> <tr><td>10</td><td>.312 (7.9)</td><td>51-up</td></tr> <tr><td>11</td><td>.344 (8.7)</td><td>100</td></tr> <tr><td>12</td><td>.375 (9.5)</td><td>100</td></tr> </tbody> </table>	Entry Size	L Diameter	Shell Size	04	.125 (3.2)	All	05	.156 (4.0)	All	06	.188 (4.8)	All	07	.219 (5.6)	All	08	.250 (6.4)	All	09	.281 (7.1)	15-up	10	.312 (7.9)	51-up	11	.344 (8.7)	100	12	.375 (9.5)	100
Entry Size	L Diameter	Shell Size																													
04	.125 (3.2)	All																													
05	.156 (4.0)	All																													
06	.188 (4.8)	All																													
07	.219 (5.6)	All																													
08	.250 (6.4)	All																													
09	.281 (7.1)	15-up																													
10	.312 (7.9)	51-up																													
11	.344 (8.7)	100																													
12	.375 (9.5)	100																													
Braid Length	-12 Length in 1 inch increments. "-12" = 12 inches.																														



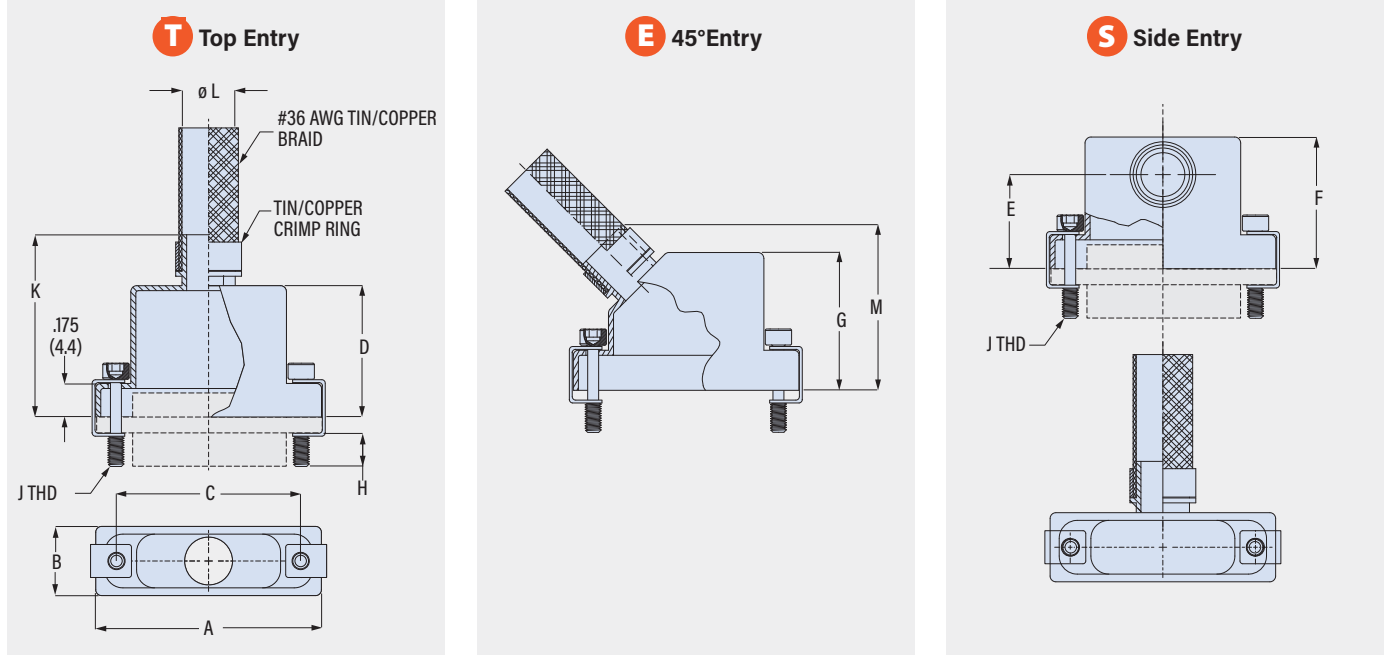
Micro-D

500-011

EMI Braidsock Backshell

- Solid Backshell with Braidsock
- EMI Shielded
- Top, Side and 45° Entry

MICRO-D ACCESSORIES



Size	A		B		C		D		E		F		G		H Ref	J Thd UNC-2	K $\pm .03$ (0.8)		M Max		Max Entry Size
	in	mm	in	mm	in	mm	in	mm	in	mm	in	mm	in	mm			in	mm	in	mm	
09	.775	19.7	.36	9.1	.565	14.4	.32	8.1	.435	11.0	.607	15.4	.650	16.5	.154	3.9	.75	19.1	1.00	25.4	08
15	.925	23.5	.36	9.1	.715	18.2	.44	11.2	.440	11.2	.643	16.3	.700	17.8	.154	3.9	.88	22.4	1.03	26.2	08
21	1.075	27.3	.36	9.1	.865	22.0	.56	14.2	.458	11.6	.677	17.2	.735	18.7	.154	3.9	1.00	25.4	1.05	26.7	08
25	1.175	29.8	.36	9.1	.965	24.5	.62	15.7	.483	12.3	.718	18.2	.800	20.3	.154	3.9	1.06	26.9	1.09	27.7	08
31	1.325	33.7	.36	9.1	1.115	28.3	.68	17.3	.476	12.1	.726	18.4	.860	21.8	.154	3.9	1.12	28.4	1.13	28.7	09
37	1.475	37.5	.36	9.1	1.265	32.1	.72	18.3	.478	12.1	.744	18.9	.925	23.5	.154	3.9	1.16	29.5	1.16	29.5	09
51	1.425	36.2	.40	10.2	1.215	30.9	.75	19.1	.548	13.9	.829	21.1	.975	24.8	.154	3.9	1.19	30.2	1.19	30.2	10
51-2	1.835	46.6	.36	9.1	1.615	41.0	.75	19.1	.548	13.9	.829	21.1	.975	24.8	.154	3.9	1.19	30.2	1.19	30.2	10
67	2.230	56.6	.36	9.1	2.015	51.2	.75	19.1	.548	13.9	.829	21.1	.975	24.8	.154	3.9	1.19	30.2	1.19	30.2	10
69	1.730	43.9	.40	10.2	1.515	38.5	.75	19.1	.548	13.9	.829	21.1	.975	24.8	.154	3.9	1.19	30.2	1.19	30.2	10
100	2.160	54.9	.45	11.4	1.800	45.7	.81	20.6	.687	17.4	.984	25.0	1.050	26.7	.184	4.7	1.25	31.8	1.25	31.8	12

Entry Size	ϕL Entry Dia.	
	in	mm
04	.125	3.2
05	.156	4.0
06	.188	4.8
07	.219	5.6
08	.250	6.4
09	.281	7.1
10	.312	7.9
11	.344	8.7
12	.375	9.5