

Micro-D

500-012

Qwik-Ty® Strain Relief Backshell

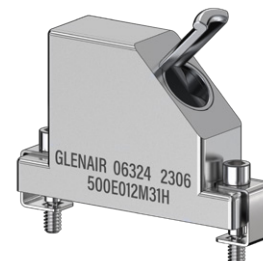
- Qwik-Ty Strain Relief
- For Unshielded Wire Bundles
- Top, Side and 45° Entry



T Top Entry



S Side Entry



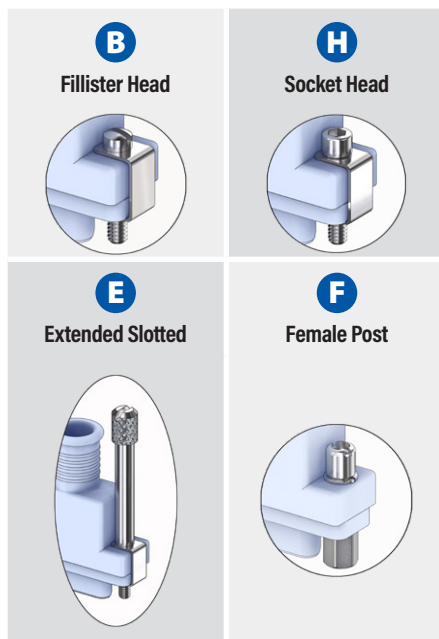
E 45° Entry

500-012

This accessory fits MWDM and M83513 Class M metal shell Micro-D connectors

Qwik-Ty, 500-012 backshell fits MIL-DTL-83513 Class M and Glenair MWDM Micro-D connectors. For unshielded wire bundles. Attach cable tie (not supplied) to Qwik-Ty strain relief arm. Aluminum or stainless steel with passivated stainless steel screws and retainer clips.

TABLE 1
JACKSCREW OPTIONS



PART NUMBER

| | | | | | | | | | | |
|--------------------------|----------------|-----------------------------------|------------|-----------|-----------|-----------|-----------|-------------|-----------|------------|
| | | Sample PN → | | | | | | | | |
| | | 500T012 | M | 51 | H | | | | | |
| Base P/N | 500T012 | T | Top Entry | | | | | | | |
| | 500S012 | S | Side Entry | | | | | | | |
| | 500E012 | E | 45° Entry | | | | | | | |
| Material / Finish | TZ | Tin-Zinc | | | | | | | | |
| | JF | Alum / Cadmium w/ Yellow Chromate | | | | | | | | |
| | M | Alum / Electroless Nickel | | | | | | | | |
| | MT | Alum / Nickel-PTFE | | | | | | | | |
| | ZR | Alum / Black Zinc-Nickel | | | | | | | | |
| | Z1 | SST / Passivated | | | | | | | | |
| | Z2 | Alum / Gold | | | | | | | | |
| Shell Size | 09 | 15 | 21 | 25 | 31 | 37 | 51 | 51-2 | 69 | 100 |
| Jack screws (Table 1) | B | Fillister Head Male | | | | | | | | |
| | E | Extended Male | | | | | | | | |
| | F | Female Jackpost | | | | | | | | |
| | H | Socket Head Male | | | | | | | | |

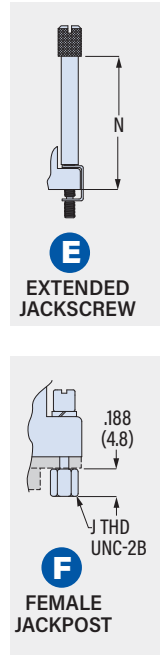
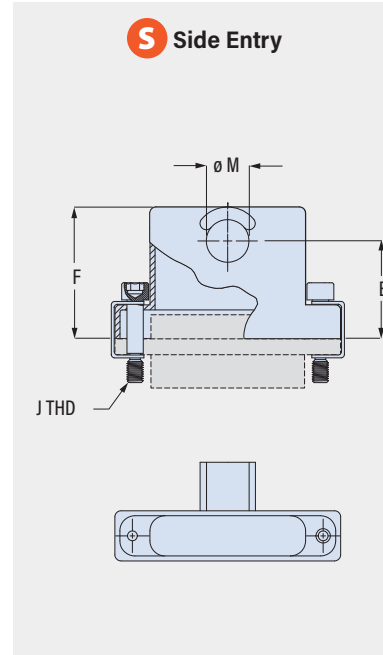
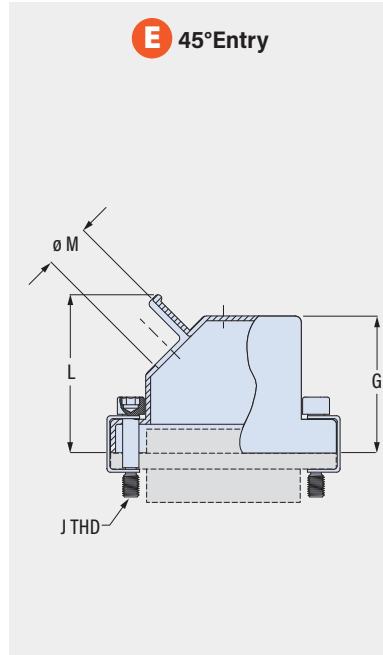
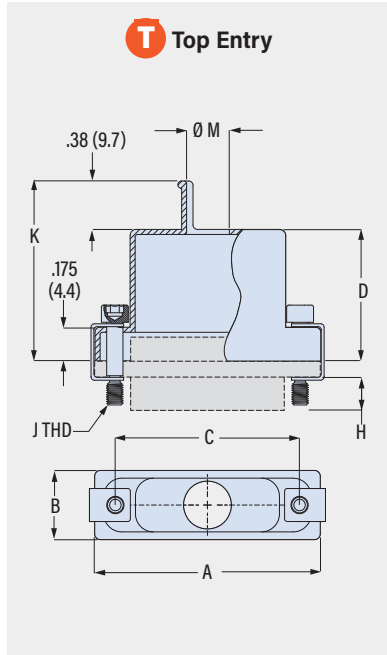
Micro-D



500-012

Qwik-Ty® Strain Relief Backshell

- Qwik-Ty Strain Relief
- For Unshielded Wire Bundles
- Top, Side and 45° Entry



MICRO-D ACCESSORIES

| Size | A | | B | | C | | D | | E | F | | G | | H Ref | J Thd UNC-2 | K ±.03 (0.8) | | L Max | | M ±.005 (0.1) | | N Max | | | |
|------|-------|------|-----|------|-------|------|-----|------|------|------|------|------|-------|-------|-------------|--------------|------|-------|------|---------------|------|-------|-----|------|------|
| | in | mm | in | mm | in | mm | in | mm | | in | mm | in | mm | | | in | mm | in | mm | in | mm | in | mm | | |
| 09 | .775 | 19.7 | .36 | 9.1 | .565 | 14.4 | .32 | 8.1 | .435 | 11.0 | .607 | 15.4 | .650 | 16.5 | .154 | 3.9 | 2-56 | .70 | 17.8 | .90 | 22.9 | .156 | 4.0 | 1.04 | 26.4 |
| 15 | .925 | 23.5 | .36 | 9.1 | .715 | 18.2 | .44 | 11.2 | .440 | 11.2 | .643 | 16.3 | .700 | 17.8 | .154 | 3.9 | 2-56 | .82 | 20.8 | .96 | 24.4 | .188 | 4.8 | 1.17 | 29.7 |
| 21 | 1.075 | 27.3 | .36 | 9.1 | .865 | 22.0 | .56 | 14.2 | .458 | 11.6 | .677 | 17.2 | .735 | 18.7 | .154 | 3.9 | 2-56 | .94 | 23.9 | .99 | 25.1 | .219 | 5.6 | 1.29 | 32.8 |
| 25 | 1.175 | 29.8 | .36 | 9.1 | .965 | 24.5 | .62 | 15.7 | .483 | 12.3 | .718 | 18.2 | .800 | 20.3 | .154 | 3.9 | 2-56 | 1.00 | 25.4 | 1.05 | 26.7 | .250 | 6.4 | 1.35 | 34.3 |
| 31 | 1.325 | 33.7 | .36 | 9.1 | 1.115 | 28.3 | .68 | 17.3 | .476 | 12.1 | .726 | 18.4 | .860 | 21.8 | .154 | 3.9 | 2-56 | 1.06 | 26.9 | 1.08 | 27.4 | .265 | 6.7 | 1.42 | 36.1 |
| 37 | 1.475 | 37.5 | .36 | 9.1 | 1.265 | 32.1 | .72 | 18.3 | .478 | 12.1 | .744 | 18.9 | .925 | 23.5 | .154 | 3.9 | 2-56 | 1.10 | 27.9 | 1.12 | 28.4 | .281 | 7.1 | 1.45 | 36.8 |
| 51 | 1.425 | 36.2 | .40 | 10.2 | 1.215 | 30.9 | .75 | 19.1 | .548 | 13.9 | .829 | 21.1 | .975 | 24.8 | .154 | 3.9 | 2-56 | 1.13 | 28.7 | 1.21 | 30.7 | .312 | 7.9 | 1.48 | 37.6 |
| 51-2 | 1.835 | 46.6 | .36 | 9.1 | 1.615 | 41.0 | .75 | 19.1 | .548 | 13.9 | .829 | 21.1 | .975 | 24.8 | .154 | 3.9 | 2-56 | 1.13 | 28.7 | 1.21 | 30.7 | .312 | 7.9 | 1.48 | 37.6 |
| 69 | 1.730 | 43.9 | .40 | 10.2 | 1.515 | 38.5 | .81 | 20.6 | .548 | 13.9 | .829 | 21.1 | .975 | 24.8 | .154 | 3.9 | 2-56 | 1.19 | 30.2 | 1.21 | 30.7 | .344 | 8.7 | 1.48 | 37.6 |
| 100 | 2.160 | 54.9 | .45 | 11.4 | 1.800 | 45.7 | .81 | 20.6 | .687 | 17.4 | .984 | 25.0 | 1.050 | 26.7 | .184 | 4.7 | 4-40 | 1.19 | 30.2 | 1.28 | 32.5 | .375 | 9.5 | 1.58 | 40.1 |