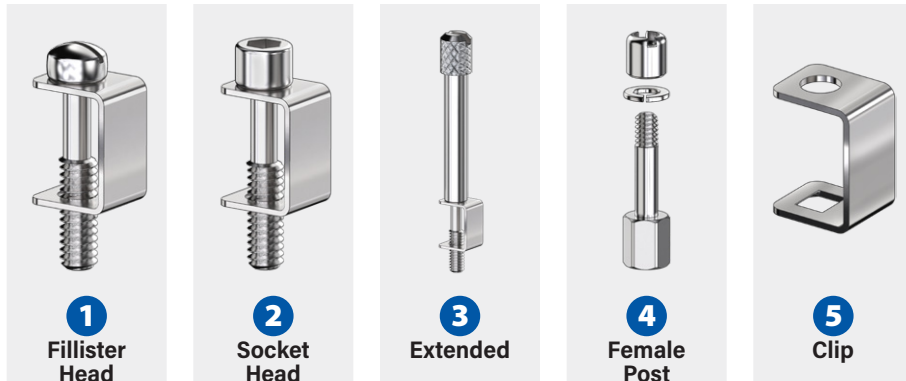
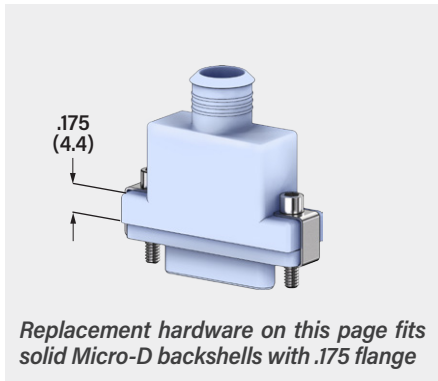


Micro-D

500-015, 687-152, 687-439, 687-695

Replacement Hardware for Micro-D Backshells with .175" Flange



Order (2) per backshell. Replacement screws and retainer clips fit Micro-D backshells with .175 (4.4) flange height. Two thread sizes: 2-56 for size 9 to 69, 4-40 for sizes 75, 100 and 130. Male screws are available in (3) styles: slotted fillister head, hex drive socket head, or extended length slotted. Stainless steel screws, washers, and retainer clips.

Clips, Screwlocks and Jackscrews

CLIP
CLIP HAS CIRCULAR HOLE AND SQUARE HOLE.

SCREWLOCK
SQUARE HOLE IS ON THE TOP. SCREW IS FLOATING. MATE CONNECTORS FIRST, THEN FASTEN SCREWLOCKS.

JACKSCREW
SQUARE HOLE IS ON THE BOTTOM. SCREW IS CAPTIVE. TURN SCREWS TO JACK CONNECTORS TOGETHER.

1 2 3 JACKSCREWS AND MALE SCREWLOCKS

Figure	Style	Type	Thread Size	Connector Size	Kit with (1) Screw, (1) Clip	Screw Only	Length in	mm
1	Fillister Head	Screwlock	2-56	9-69	687-152-01BF	687-152-01BFL		
			4-40	75, 100, 130	687-152-02BF	687-152-02BFL		
		Jackscrew	2-56	9-69	500-015-IS	500-015-ISL		
			4-40	75, 100, 130	500-015-2S	500-015-2SL		
2	Socket Head	Screwlock	2-56	9-69	500-015-1F	500-015-1FL		
			4-40	75, 100, 130	500-015-2F	500-015-2FL		
		Jackscrew	2-56	9-69	500-015-1H	500-015-1HL		
			4-40	75, 100, 130	500-015-2H	500-015-2HL		
3	Extended	Screwlock	2-56	9	687-439-09FC	687-439-09F	1.04	26.4
				15	687-439-15FC	687-439-15F	1.17	29.7
				21	687-439-21FC	687-439-21F	1.29	32.8
				25	687-439-25FC	687-439-25F	1.35	34.3
				31	687-439-31FC	687-439-31F	1.42	36.1
				37	687-439-37FC	687-439-37F	1.45	36.8
			4-40	51 to 69	687-439-51FC	687-439-51F	1.48	37.6
				75, 100, 130	687-439-100FC	687-439-100F	1.58	40.1
				9	687-439-09	687-439-09J	1.04	26.4
				15	687-439-15	687-439-15J	1.17	29.7
				21	687-439-21	687-439-21J	1.29	32.8
				25	687-439-25	687-439-25J	1.35	34.3
2-56	31	687-439-31	687-439-31J	1.42	36.1			
	37	687-439-37	687-439-37J	1.45	36.8			
	51 to 69	687-439-51	687-439-51J	1.48	37.6			
	75, 100, 130	687-439-100	687-439-100J	1.58	40.1			

4 FEMALE JACKPOST

Fig.	Type	Thread Size	Connector Size	Part Number	Ordering Note
4	Female Hex Post	2-56	9-69	687-695	Kit contains (1) female hex post, (1) nut and (1) flat washer. Order (2) per backshell.
		4-40	75, 100, 130	687-695-1	

5 RETAINER CLIP

Figure	Thread Size	Connector Size	Retainer Clip Part Number
5	2-56	9-69	500-015-1
	4-40	75, 100, 130	500-015-2

Part Number	in	A mm	B mm	in	ø C mm
500-015-1	.172	4.4	.21	5.3	.090
500-015-2	.250	6.4	.32	8.1	.120