

Micro-D

500-017 Protective Cover






- Fits MWDM and M83513 Class M
- Silicone Gasket
- Top, Side and 45° Entry

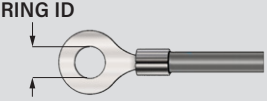
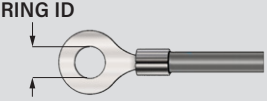
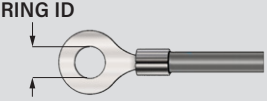


500-017
This accessory fits MIL-DTL-83513 Class M and MWDM Micro-D connectors

500-017 protective cover fits M83513 Class M and MWDM Micro-D connectors. Rubber gasket provides dust and moisture protection. Available with lanyard for panel or cable attachment. Aluminum with stainless steel screws and washers, silicone gasket.

TABLE 1
ATTACHMENT TYPE

F	 Wire Rope, Blue Nylon Jacket 6/6 nylon over stainless steel rope, fair flexibility, good abrasion resistance, -55 to +100 °C
G	 Black Nylon Rope Very flexible, good abrasion and fuel resistance, .062 (1.6) diameter, -55 to +100 °C
H	 Wire Rope, Clear FEP Jacket Clear FEP jacket over SST rope, fair flexibility, good abrasion resistance, .100" diameter, -65 to +200 °C
SK	 Nylon Rope with Slip Knot Very flexible, good abrasion and fuel resistance, .094 (2.4) diameter. Length includes .5" (13mm) dia. loop, -55 to +100 °C
T	 SST Wire Rope, No Jacket Good flexibility, good abrasion resistance, .047 (1.2) diameter, passivated, -65 to +200 °C

PART NUMBER								
Sample PN→	500-017 NF 37 F F 6 -06							
Base P/N	500-017							
Finish	<ul style="list-style-type: none"> TZ Tin-Zinc JF Cadmium w/ Yellow Chromate M Electroless Nickel MT Nickel-PTFE ZR Black Zinc-Nickel Z2 Gold NF CAD/O. D. Over Electroless Nickel (1000 Hour Salt Spray) 							
Shell Size	09 15 21 25 31 37 51 51-2 67 69 75 100 130							
Jackscrews	<ul style="list-style-type: none"> F Female Threads MB Fillister Head Male Jackscrews MH Socket Head Male Jackscrews 							
Attachment Type (Table 1)	<ul style="list-style-type: none"> N No Attachment F SST Wire Rope, Nylon Jacket G Nylon Rope H SST Wire Rope, FEP Jacket SK Nylon Rope with Slip Knot T SST Wire Rope, No Jacket 							
Attachment Length	Omit If No Attachment Length in One Inch Increments							
Dash Number	Omit If No Attachment Omit for Attachment Type SK <table border="1" style="margin-left: 20px;"> <thead> <tr> <th>Ring Inside Code Diameter</th> <th>Ring ID</th> </tr> </thead> <tbody> <tr> <td>-06 .125 (3.2)</td> <td rowspan="4"></td> </tr> <tr> <td>-01 .140 (3.6)</td> </tr> <tr> <td>-02 .182 (4.6)</td> </tr> <tr> <td>-04 .197 (5.0)</td> </tr> </tbody> </table>	Ring Inside Code Diameter	Ring ID	-06 .125 (3.2)		-01 .140 (3.6)	-02 .182 (4.6)	-04 .197 (5.0)
Ring Inside Code Diameter	Ring ID							
-06 .125 (3.2)								
-01 .140 (3.6)								
-02 .182 (4.6)								
-04 .197 (5.0)								

MICRO-D ACCESSORIES

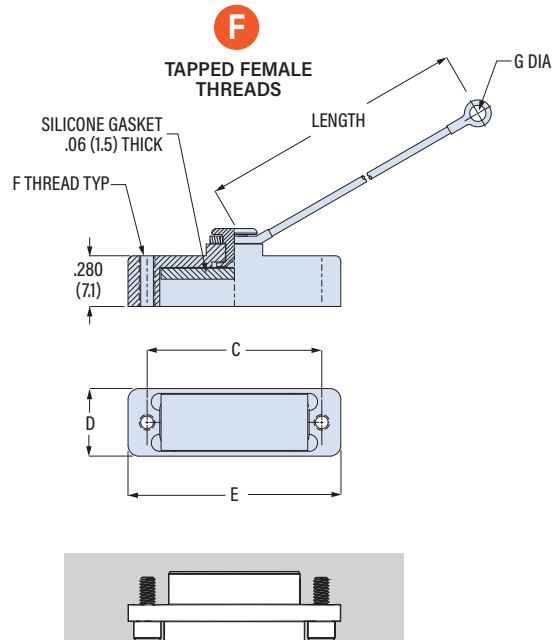
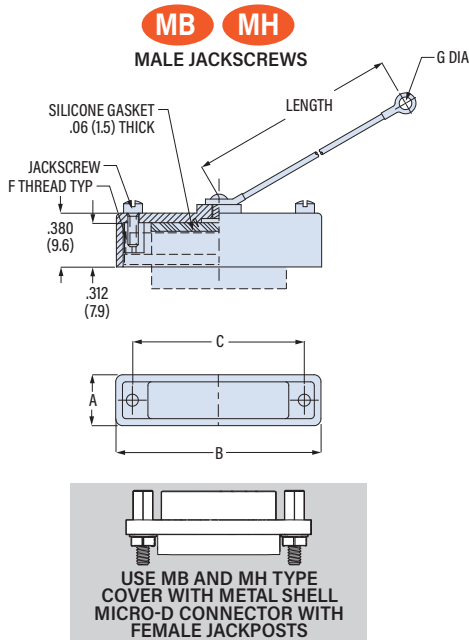
Micro-D

500-017

Protective Cover

- Fits MWDM and M83513 Class M
- Silicone Gasket
- Top, Side and 45° Entry

MICRO-D ACCESSORIES



Size	A Max.		B Max.		C		D Max.		E Max.		F Thd UNC-2
	in	mm	in	mm	in	mm	in	mm	in	mm	
09	.453	11.5	.930	23.6	.565	14.4	.380	9.7	.795	20.2	2-56
15	.453	11.5	1.080	27.4	.715	18.2	.380	9.7	.945	24.0	2-56
21	.453	11.5	1.230	31.2	.865	22.0	.380	9.7	1.095	27.8	2-56
25	.453	11.5	1.330	33.8	.965	24.5	.380	9.7	1.195	30.4	2-56
31	.453	11.5	1.480	37.6	1.115	28.3	.380	9.7	1.345	34.2	2-56
37	.453	11.5	1.630	41.4	1.265	32.1	.380	9.7	1.495	38.0	2-56
51	.496	12.6	1.580	40.1	1.215	30.9	.420	10.7	1.445	36.7	2-56
51-2	.453	11.5	1.980	50.3	1.615	41.0	.380	9.7	1.845	46.9	2-56
67	.453	11.5	2.380	60.5	2.015	51.2	.380	9.7	2.245	57.0	2-56
69	.496	12.6	1.880	47.8	1.515	38.5	.420	10.7	1.745	44.3	2-56
75	.496	12.6	2.220	56.4	1.705	43.3	.420	10.7	2.085	53.0	4-40
100	.539	13.7	2.315	58.8	1.800	45.7	.470	11.9	2.180	55.4	4-40
130	.539	13.7	2.675	67.9	2.160	54.6	.470	11.9	2.540	64.5	4-40