

# Micro-D

## 500-037

### Protective Cover, Rear Panel Mount



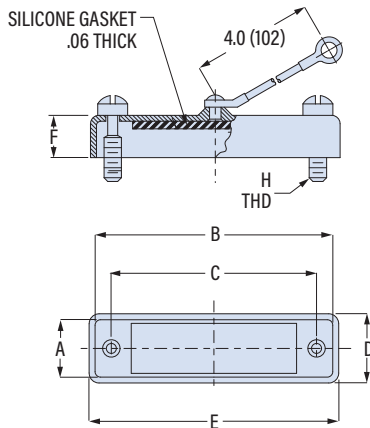
#### 500-037

This accessory fits rear-panel mounted MIL-DTL-83513 Class M Micro-D and MWDM connectors

For rear panel mounted connectors. 500-037 protective cover fits M83513 Class M and MWDM Micro-D connectors. Rubber gasket provides dust and moisture protection. Available with lanyard for panel attachment. Aluminum with stainless steel jackscrews, silicone gasket.

**TABLE 2**  
ATTACHMENT TYPE

- F** SST Wire Rope, Nylon Jacket  
-55 to +100 °C
- H** SST Wire Rope, FEP Jacket  
-65 to +200 °C
- T** Wire Rope, No Jacket  
-65 to +200 °C



#### PART NUMBER

Sample PN → **500-037 M 21 R3 B F -06 -5**

<b>Base P/N</b>	<b>500-037</b>						
<b>Finish</b>	<b>TZ</b>	Tin-Zinc					
	<b>JF</b>	Cadmium w/ Yellow Chromate					
	<b>M</b>	Electroless Nickel					
	<b>MT</b>	Nickel-PTFE					
	<b>ZR</b>	Black Zinc-Nickel					
	<b>Z2</b>	Gold					
<b>Shell Size</b>	<b>09 15 21 25 31 37 51 51-2</b>						
	<b>67 69 75 100 130</b>						
<b>Panel Thickness</b>	Panel Code		Thickness		F		
	<b>R1</b>	.031 (0.8)	.126 (3.2)				
	<b>R2</b>	.047 (1.2)	.110 (2.8)				
	<b>R3</b>	.062 (1.6)	.095 (2.4)				
	<b>R4</b>	.093 (2.4)	.064 (1.6)				
	<b>R5</b>	.125 (3.2)	.032 (.8)				
<b>Jackscrews</b>	<b>B</b>	Fillister Head Male Jackscrews					
	<b>H</b>	Socket Head Male Jackscrews					
<b>Attachment Type</b>	<b>N</b>	No Attachment					
	<b>F</b>	SST Wire Rope, Nylon Jacket					
	<b>H</b>	SST Wire Rope, FEP Jacket					
	<b>T</b>	SST Wire Rope, No Jacket					
<b>Attachment Dia.</b>	Omit If No Attachment						
	<b>-06</b>	.125 (3.2)	RING ID				
	<b>-01</b>	.140 (3.6)	↑				
	<b>-02</b>	.182 (4.6)	↑				
	<b>-04</b>	.197 (5.0)	↑				
<b>Attachment Length</b>	Omit for standard 4 inch (102mm) length Length in Inches (Ex: <b>-2</b> = 2 inches)						

Size	A Max		B Max		C		D Max		E Max		H Thd UNC-2A
	in	mm	in	mm	in	mm	in	mm	in	mm	
09	.328	8.3	.805	20.4	.565	14.4	.453	11.5	.930	23.6	2-56
15	.328	8.3	.955	24.3	.715	18.2	.453	11.5	1.080	27.4	2-56
21	.328	8.3	1.105	28.1	.865	22.0	.453	11.5	1.230	31.2	2-56
25	.328	8.3	1.205	30.6	.965	24.5	.453	11.5	1.330	33.8	2-56
31	.328	8.3	1.355	34.4	1.115	28.3	.453	11.5	1.480	37.6	2-56
37	.328	8.3	1.505	38.2	1.265	32.1	.453	11.5	1.630	41.4	2-56
51	.371	9.4	1.455	37.0	1.215	30.9	.496	12.6	1.580	40.1	2-56
51-2	.328	8.3	1.855	47.1	1.615	41.0	.453	11.5	1.980	50.3	2-56
67	.328	8.3	2.255	57.3	2.015	51.2	.453	11.5	2.380	60.5	2-56
69	.371	9.4	1.755	44.6	1.515	38.5	.496	12.6	1.880	47.8	2-56
75	.371	9.4	2.100	53.3	1.705	43.3	.496	12.6	2.225	56.5	4-40
100	.414	10.5	2.190	55.6	1.800	45.7	.539	13.7	2.315	58.8	4-40
130	.414	10.5	2.550	64.8	2.160	54.6	.539	13.7	2.675	67.9	4-40

MICRO-D ACCESSORIES