

Micro-D

500-107

Protective Cover, Low Profile

■ For MWDM and M83513 Micro-D

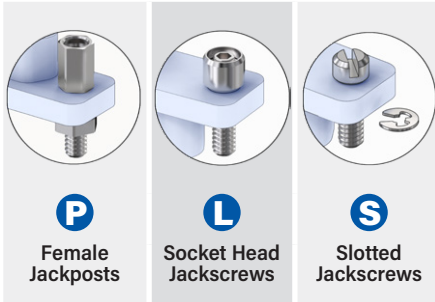


500-107

This accessory fits MIL-DTL-83513 Class M and MWDM Micro-D connectors

500-107 protective cover fits M83513 Class M and MWDM metal shell Micro-D connectors. Plug connector cover fits over connector shell and has fluorosilicone gasket. Receptacle connector cover fits inside connector shell. Aluminum or stainless steel. Stainless steel hardware.

TABLE 1
HARDWARE OPTIONS



P

Female Jackposts

L

Socket Head Jackscrews

S

Slotted Jackscrews

TABLE 2
ATTACHMENT TYPE



F

SST Wire Rope, Nylon Jacket
-55 to +100 °C

G

Black Nylon Rope
-55 to +100 °C

H

SST Wire Rope, FEP Jacket
-65 to +200 °C

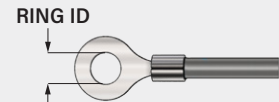
T

Wire Rope, No Jacket
-65 to +200 °C

PART NUMBER

Sample PN → **500-107 M 51 R L F 5 -06**

Base P/N	500-107										
Material / Finish	<p>TZ Tin-Zinc</p> <p>JF Alum / Cadmium w/ Yel. Chromate</p> <p>M Alum / Electroless Nickel</p> <p>MT Alum / Nickel-PTFE</p> <p>ZR Alum / Black Zinc-Nickel</p> <p>Z1 SST / Passivated</p> <p>Z2 Alum / Gold</p>										
Shell Size	<p>09 15 21 25 31 37 51 51-2</p> <p>67 69 75 100 130</p>										
Plug/ Receptacle	<p>P Cover for Plug Connector</p> <p>R Cover for Receptacle Connector</p>										
Hardware (Table 1)	<p>B No Hardware (<i>Thru-Holes</i>)</p> <p>P Female Jackposts</p> <p>L Socket Head Jackscrews</p> <p>S Slot Head Jackscrews</p>										
Attachment Type (Table 2)	<p>NB No Attachment (<i>Boss Deleted</i>)</p> <p>F SST Wire Rope, Nylon Jacket</p> <p>G Nylon Rope</p> <p>H SST Wire Rope, FEP Jacket</p> <p>T SST Wire Rope, No Jacket</p>										
Attachment Length	<p>Omit If No Attachment</p> <p>Length in One Inch Increments ("5" = Five Inches)</p>										
Attachment Ring Dia.	<p>Omit If No Attachment</p> <table border="1"> <thead> <tr> <th>Ring Dia.</th> <th></th> </tr> </thead> <tbody> <tr> <td>-06</td> <td>.125 (3.2)</td> </tr> <tr> <td>-01</td> <td>.140 (3.6)</td> </tr> <tr> <td>-02</td> <td>.182 (4.6)</td> </tr> <tr> <td>-04</td> <td>.197 (5.0)</td> </tr> </tbody> </table>	Ring Dia.		-06	.125 (3.2)	-01	.140 (3.6)	-02	.182 (4.6)	-04	.197 (5.0)
Ring Dia.											
-06	.125 (3.2)										
-01	.140 (3.6)										
-02	.182 (4.6)										
-04	.197 (5.0)										



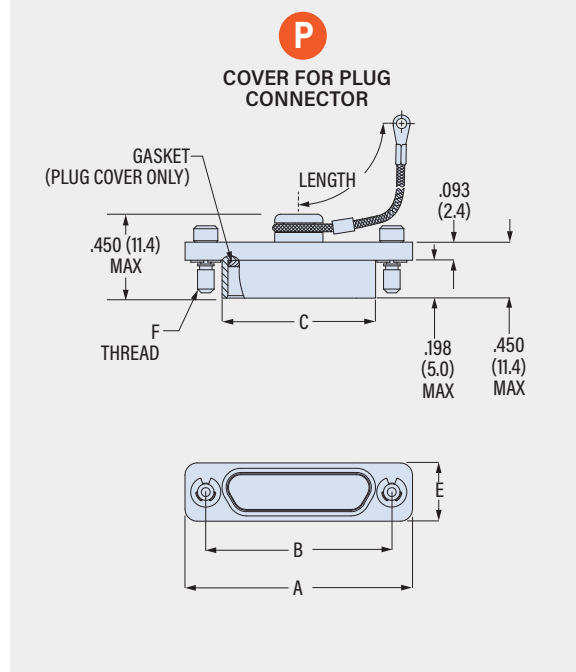
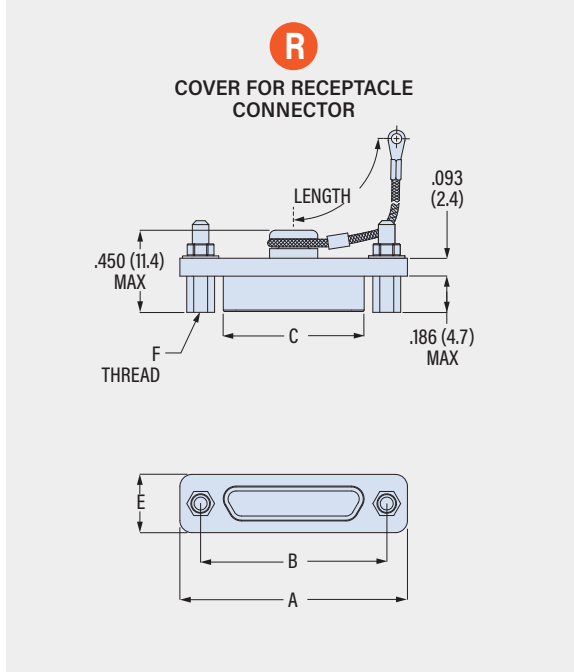
Micro-D

500-107

Protective Cover, Low Profile

■ For MWDM and M83513 Micro-D

MICRO-D ACCESSORIES



Layout	A Max		B ± .003		C Max		D Max		E Max		F Thd
	in	mm	in	mm	in	mm	in	mm	in	mm	UNC-2
09R	.785	19.9	.565	14.4	.333	8.5	.184	4.7	.308	7.8	2-56
09P	.785	19.9	.565	14.4	.400	10.2	.250	6.4	.308	7.8	2-56
15R	.935	23.7	.715	18.2	.483	12.3	.184	4.7	.308	7.8	2-56
15P	.935	23.7	.715	18.2	.551	14.0	.250	6.4	.308	7.8	2-56
21R	1.085	27.6	.865	22.0	.633	16.1	.184	4.7	.308	7.8	2-56
21P	1.085	27.6	.865	22.0	.701	17.8	.250	6.4	.308	7.8	2-56
25R	1.185	30.1	.965	24.5	.733	18.6	.184	4.7	.308	7.8	2-56
25P	1.185	30.1	.965	24.5	.801	20.3	.250	6.4	.308	7.8	2-56
31R	1.335	33.9	1.115	28.3	.883	22.4	.184	4.7	.308	7.8	2-56
31P	1.335	33.9	1.115	28.3	.951	24.2	.250	6.4	.308	7.8	2-56
37R	1.485	37.7	1.265	32.1	1.033	26.2	.184	4.7	.308	7.8	2-56
37P	1.485	37.7	1.265	32.1	1.101	28.0	.250	6.4	.308	7.8	2-56
51R	1.435	36.4	1.215	30.9	.983	25.0	.228	5.8	.351	8.9	2-56
51P	1.435	36.4	1.215	30.9	1.051	26.7	.296	7.5	.351	8.9	2-56
51-2R	1.835	46.6	1.615	41.0	1.384	35.2	.184	4.7	.308	7.8	2-56
51-2P	1.835	46.6	1.615	41.0	1.450	36.8	.250	6.4	.308	7.8	2-56
67R	2.235	56.8	2.015	51.2	1.784	45.3	.184	4.7	.310	7.9	2-56
67P	2.235	56.8	2.015	51.2	1.850	47.0	.250	6.4	.310	7.9	2-56
69R	1.735	44.1	1.515	38.5	1.284	32.6	.228	5.8	.351	8.9	2-56
69P	1.735	44.1	1.515	38.5	1.350	34.3	.296	7.5	.351	8.9	2-56
75R	2.080	52.8	1.705	43.3	1.384	35.2	.228	5.8	.351	8.9	4-40
75P	2.080	52.8	1.705	43.3	1.450	36.8	.296	7.5	.351	8.9	4-40
100R	2.170	55.1	1.800	45.7	1.383	35.1	.270	6.9	.394	10.0	4-40
100P	2.170	55.1	1.800	45.7	1.451	36.9	.333	8.5	.394	10.0	4-40
130R	2.520	64.0	2.150	54.6	1.735	44.1	.270	6.9	.394	10.0	4-40
130P	2.520	64.0	2.150	54.6	1.795	45.6	.333	8.5	.394	10.0	4-40