

Micro-D

507-035

Potting Backshell

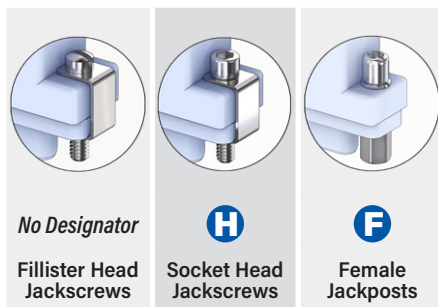


507-035

This accessory fits MWDM and M83513 Class M metal shell Micro-D connectors

507-035 backshell fits MIL-DTL-83513 Class M and Glenair MWDM Micro-D connectors with metal shell. Fill backshell with potting compound to encapsulate solder joints and provide wire strain relief. Aluminum or stainless steel with passivated stainless steel screws and retainer clips.

TABLE 1
JACKSCREW OPTIONS



No Designator

Fillister Head Jackscrews

H

Socket Head Jackscrews

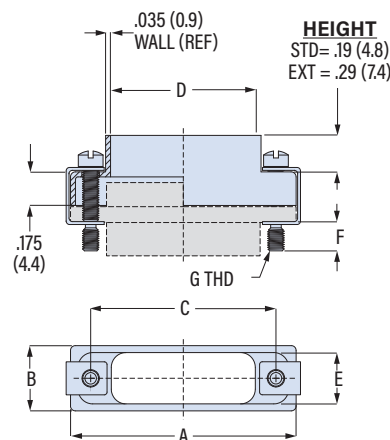
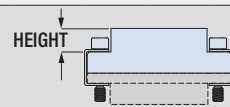
F

Female Jackposts

PART NUMBER

Sample PN → **507-035 M 51 H 1**

Base P/N	507-035
Material / Finish	TZ Tin-Zinc
	JF Alum / Cadmium w/ Yellow Chromate
	M Alum / Electroless Nickel
	MT Alum / Nickel-PTFE
	ZR Alum / Black Zinc-Nickel
	Z1 SST / Passivated
Shell Size	09 15 21 25 31 37 51 51-2
	67 69 100 130
Jackscrews (Table 1)	Omit Fillister Head Male Jackscrews
	H Socket Head Male Jackscrews
	F Female Jackposts (fixed)
Height	Omit Standard Height .19 (4.8)
	1 Extended Height .29 (7.4)



Size	A Max.		B Max.		C		D		E		F Ref		G Thd
	in	mm	in	mm	in	mm	in	mm	in	mm	in	mm	UNC-2A
09	.850	21.6	.370	9.4	.565	14.4	.31	7.9	.26	6.6	.154	3.9	2-56
15	1.000	25.4	.370	9.4	.715	18.2	.48	12.2	.26	6.6	.154	3.9	2-56
21	1.150	29.2	.370	9.4	.865	22.0	.65	16.5	.26	6.6	.154	3.9	2-56
25	1.250	31.8	.370	9.4	.965	24.5	.75	19.1	.26	6.6	.154	3.9	2-56
31	1.400	35.6	.370	9.4	1.115	28.3	.88	22.4	.26	6.6	.154	3.9	2-56
37	1.550	39.4	.370	9.4	1.265	32.1	1.03	26.2	.26	6.6	.154	3.9	2-56
51	1.500	38.1	.410	10.4	1.215	30.9	.98	24.9	.30	7.6	.154	3.9	2-56
51-2	1.910	48.5	.370	9.4	1.615	41.0	1.38	35.1	.28	7.1	.154	3.9	2-56
67	2.310	58.7	.370	9.4	2.015	51.2	1.78	45.2	.26	6.6	.154	3.9	2-56
69	1.810	46.0	.410	10.4	1.515	38.5	1.28	32.5	.30	7.6	.154	3.9	2-56
100	2.235	56.8	.460	11.7	1.800	45.7	1.35	34.3	.36	9.1	.184	4.7	4-40
130	2.595	65.9	.460	11.7	2.150	54.6	1.71	43.4	.36	9.1	.184	4.7	4-40