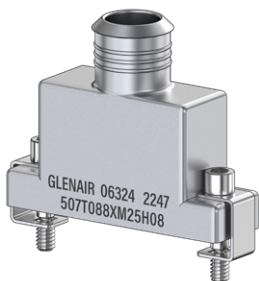


# Micro-D

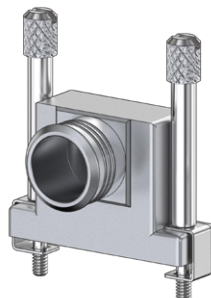
## 507-088

### EMI Banding Backshell, Composite

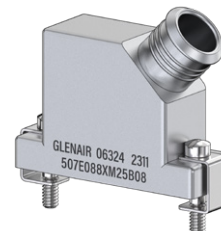
- Lightweight Composite
- Micro Band Shield Termination
- Top, Side and 45° Entry



**T** Top Entry



**S** Side Entry



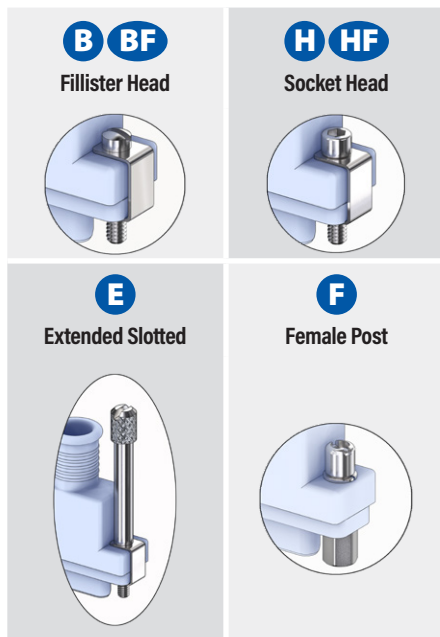
**E** 45° Entry

#### 507-088

This accessory fits MWDM and M83513 Class M metal shell Micro-D connectors

EMI, lightweight composite. 507-088 backshell fits MIL-DTL-83513 Class M and Glenair MWDM Micro-D connectors. Terminate cable shield to backshell with BandMaster ATS Micro band strap. Available with screwlocks or jackscrews: screwlocks allow connectors to be fully mated prior to fastening screws, jackscrews must be tightened in order to mate connectors. Nickel-plated thermoplastic with passivated stainless steel screws and retainer clips.

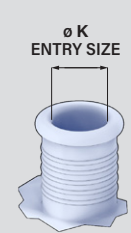
**TABLE 1 SCREWLOCK OPTIONS**



#### PART NUMBER

Sample PN → **507T088** **XM** **51** **HF** **09** **S** **K**

<b>Base P/N</b>	<b>507T088</b> <b>T</b> Top Entry <b>507S088</b> <b>S</b> Side Entry <b>507E088</b> <b>E</b> 45° Entry																																																					
<b>Finish</b>	<b>XM</b> Electroless Nickel																																																					
<b>Shell Size</b>	<b>09 15 21 25 31 37 51 100</b>																																																					
<b>Screwlocks</b> (Table 1)	<b>Male Screwlocks</b> <b>BF</b> Fillister Head <b>HF</b> Socket Head																																																					
	<b>Male Jackscrews</b> <b>B</b> Fillister Head <b>H</b> Socket Head																																																					
	<b>Female Post</b> <b>F</b> Female Jackpost																																																					
	<i>* E option available on Profiles <b>S</b> <b>T</b> only</i>																																																					
<b>Entry Size</b>	<table border="1"> <thead> <tr> <th rowspan="2">Entry Size</th> <th rowspan="2">K Diameter</th> <th colspan="3">Shell Size</th> </tr> <tr> <th><b>T</b></th> <th><b>S</b></th> <th><b>E</b></th> </tr> </thead> <tbody> <tr> <td><b>04</b></td> <td>.125 (3.2)</td> <td>All</td> <td>All</td> <td>All</td> </tr> <tr> <td><b>05</b></td> <td>.156 (4.0)</td> <td>All</td> <td>All</td> <td>All</td> </tr> <tr> <td><b>06</b></td> <td>.188 (4.8)</td> <td>All</td> <td>All</td> <td>All</td> </tr> <tr> <td><b>07</b></td> <td>.219 (5.6)</td> <td>All</td> <td>All</td> <td>All</td> </tr> <tr> <td><b>08</b></td> <td>.250 (6.4)</td> <td>All</td> <td>All</td> <td>All</td> </tr> <tr> <td><b>09</b></td> <td>.281 (7.1)</td> <td>31-100</td> <td>All</td> <td>31-100</td> </tr> <tr> <td><b>10</b></td> <td>.312 (7.9)</td> <td>51, 100</td> <td>15-100</td> <td>51, 100</td> </tr> <tr> <td><b>11</b></td> <td>.344 (8.7)</td> <td>100</td> <td>15-100</td> <td>100</td> </tr> <tr> <td><b>12</b></td> <td>.375 (9.5)</td> <td>100</td> <td>15-100</td> <td>100</td> </tr> </tbody> </table>	Entry Size	K Diameter	Shell Size			<b>T</b>	<b>S</b>	<b>E</b>	<b>04</b>	.125 (3.2)	All	All	All	<b>05</b>	.156 (4.0)	All	All	All	<b>06</b>	.188 (4.8)	All	All	All	<b>07</b>	.219 (5.6)	All	All	All	<b>08</b>	.250 (6.4)	All	All	All	<b>09</b>	.281 (7.1)	31-100	All	31-100	<b>10</b>	.312 (7.9)	51, 100	15-100	51, 100	<b>11</b>	.344 (8.7)	100	15-100	100	<b>12</b>	.375 (9.5)	100	15-100	100
	Entry Size			K Diameter	Shell Size																																																	
		<b>T</b>	<b>S</b>		<b>E</b>																																																	
	<b>04</b>	.125 (3.2)	All	All	All																																																	
	<b>05</b>	.156 (4.0)	All	All	All																																																	
	<b>06</b>	.188 (4.8)	All	All	All																																																	
	<b>07</b>	.219 (5.6)	All	All	All																																																	
	<b>08</b>	.250 (6.4)	All	All	All																																																	
<b>09</b>	.281 (7.1)	31-100	All	31-100																																																		
<b>10</b>	.312 (7.9)	51, 100	15-100	51, 100																																																		
<b>11</b>	.344 (8.7)	100	15-100	100																																																		
<b>12</b>	.375 (9.5)	100	15-100	100																																																		
<b>Qwik-Ty</b>	<b>Omit</b> No Qwik-Ty Arm <b>S</b> Qwik-Ty Strain Relief Arm																																																					
<b>Band</b>	<b>Omit</b> No Band <b>K</b> Micro Band Included <b>J</b> Micro Slim Band Included																																																					



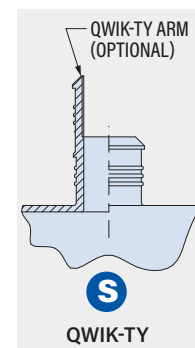
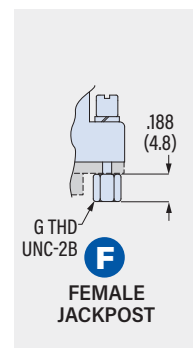
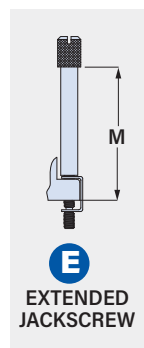
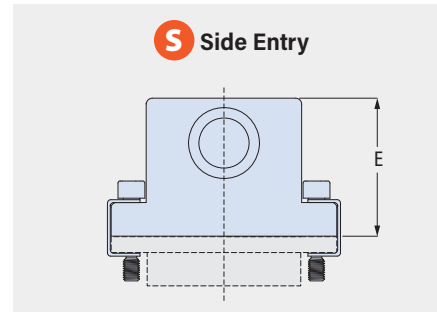
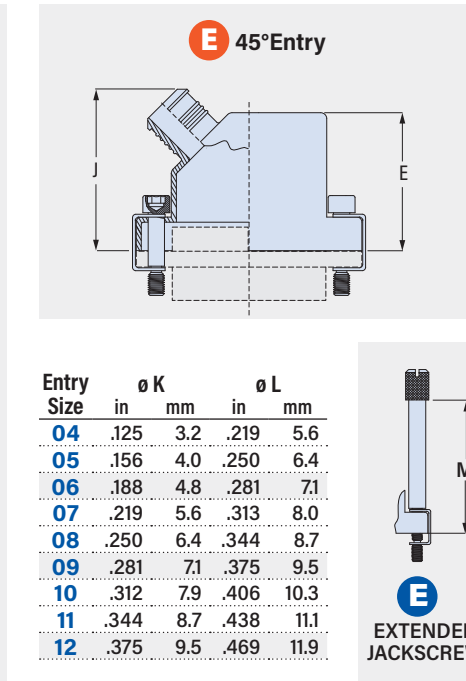
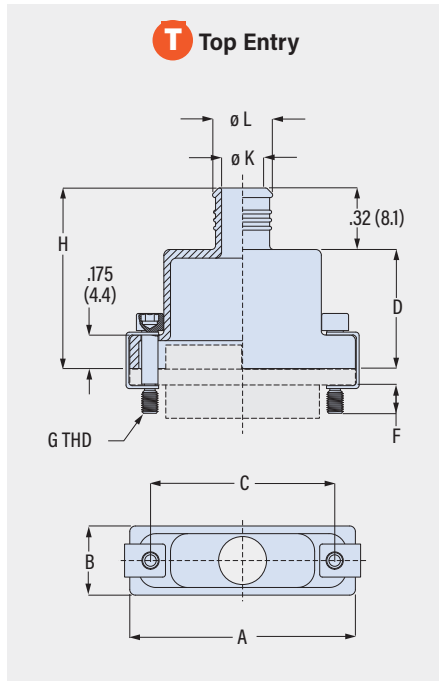
# Micro-D

## 507-088

### EMI Banding Backshell, Composite

- Lightweight Composite
- Micro Band Shield Termination
- Top, Side and 45° Entry

MICRO-D ACCESSORIES



Size	A		B		C		D		E		F	G Thd UNC-2	H ±.03(0.8)		J Max		M Min		
	in	mm	in	mm	in	mm	in	mm	in	mm			in	mm	in	mm	in	mm	
09	.775	19.7	.36	9.1	.565	14.4	.43	10.9	.650	16.5	.154	3.9	2-56	.75	19.1	1.00	25.4	.75	19.1
15	.925	23.5	.36	9.1	.715	18.2	.44	11.2	.700	17.8	.154	3.9	2-56	.76	19.3	1.03	26.2	.76	19.3
21	1.075	27.3	.36	9.1	.865	22.0	.56	14.2	.735	18.7	.154	3.9	2-56	.88	22.4	1.05	26.7	.88	22.4
25	1.175	29.8	.36	9.1	.965	24.5	.62	15.7	.800	20.3	.154	3.9	2-56	.94	23.9	1.09	27.7	.94	23.9
31	1.325	33.7	.36	9.1	1.115	28.3	.68	17.3	.860	21.8	.154	3.9	2-56	1.00	25.4	1.13	28.7	1.00	25.4
37	1.475	37.5	.36	9.1	1.265	32.1	.72	18.3	.925	23.5	.154	3.9	2-56	1.04	26.4	1.16	29.5	1.04	26.4
51	1.425	36.2	.40	10.2	1.215	30.9	.75	19.1	.975	24.8	.154	3.9	2-56	1.07	27.2	1.25	31.8	1.07	27.2
100	2.160	54.9	.45	11.4	1.800	45.7	.81	20.6	1.050	26.7	.184	4.7	4-40	1.13	28.7	1.32	33.5	1.13	28.7

#### SCREWLOCKS AND JACKSCREWS

**CLIP**  
CLIP HAS CIRCULAR HOLE AND SQUARE HOLE.

**SCREWLOCK**  
SQUARE HOLE IS ON THE TOP. SCREW IS FLOATING. MATE CONNECTORS FIRST, THEN FASTEN SCREWLOCKS.

**JACKSCREW**  
SQUARE HOLE IS ON THE BOTTOM. SCREW IS CAPTIVE. TURN SCREWS TO JACK CONNECTORS TOGETHER.

#### BAND OPTIONS

Terminate cable braid to backshell with optional band strap and banding tool. Pre-coiled bands are passivated stainless steel. Micro Slim bands have reduced thickness for weight reduction.

Band Type and Width	Hand Tool	Pneumatic Tool
Micro: .12 (3.0)	601-101	601-107
Micro Slim: .12 (3.0)	601-122	601-123