

Micro-D

507-142

EMI Banding Backshell, Dual Entry

- Solid Backshell
- Band-Master ATS® Shield Termination
- Two Band Platforms



507-142

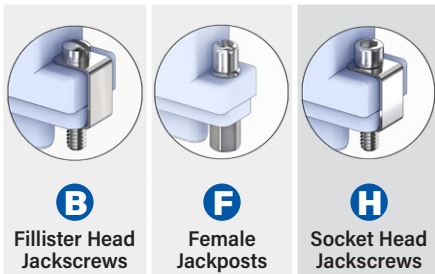
This accessory fits MWDM and M83513 Class M metal shell Micro-D connectors

EMI, dual entry. 507-142 backshell fits MIL-DTL-83513 Class M and Glenair MWDM Micro-D connectors with metal shell. Two band platforms. Aluminum with passivated stainless steel screws and retainer clips.

PART NUMBER

Sample PN →	507-142	JF	31	B	P
Base P/N	507-142				
Finish	TZ	Tin-Zinc			
	JF	Cadmium w/ Yellow Chromate			
	M	Electroless Nickel			
	MT	Nickel-PTFE			
	ZR	Black Zinc-Nickel			
	Z2	Gold			
Shell Size	21 25 31 37 51 51-2 69 100				
Jackscrews (Table 1)	B	Fillister Head Male Jackscrews			
	F	Female Jackposts (fixed)			
	H	Socket Head Male Jackscrews			
Band	Omit	No Band		M	Micro Bands Included
	K	Standard Bands Included		J	Micro Slim Bands Included
	P	Slim Standard Bands Included		L	Micro-Max Bands Included

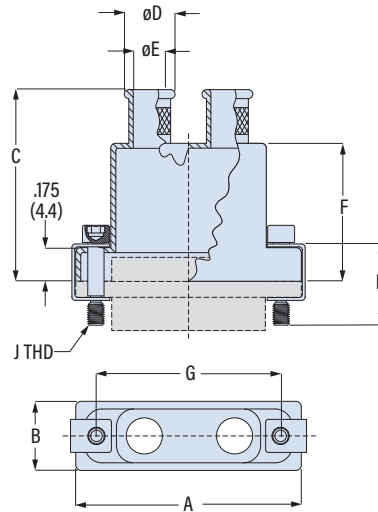
TABLE 1 JACKSCREW OPTIONS



BAND OPTIONS

Terminate cable braid to backshell with optional band strap and banding tool. Pre-coiled bands are passivated stainless steel. Slim Standard bands have reduced thickness for weight reduction. Micro Slim bands have reduced thickness for weight reduction. Micro-Max bands are high-tension for lower-resistivity termination.

Band Type and Width	Hand Tool	Pneumatic
Standard: .24 (6.1)	601-100	601-106
Slim Standard: .24 (6.1)	601-109	601-110
Micro: .12 (3.0)	601-101	601-107
Micro Slim: .12 (3.0)	601-122	601-123
Micro-Max: .12 (3.0)	601-129	601-118



Size	A		B		C		D		E		F		G		H		J Thd
	in	mm	in	mm	in	mm	in	mm	in	mm	in	mm	in	mm	in	mm	UNC-2
21	1.075	27.3	.34	8.6	1.00	25.4	.281	.71	.125	3.2	.56	14.2	.865	22.0	.438	11.1	2-56
25	1.175	29.8	.34	8.6	1.06	26.9	.344	.87	.188	4.8	.62	15.7	.965	24.5	.438	11.1	2-56
31	1.325	33.7	.34	8.6	1.12	28.4	.406	10.3	.250	6.4	.68	17.3	1.115	28.3	.438	11.1	2-56
37	1.475	37.5	.34	8.6	1.16	29.5	.500	12.7	.344	8.7	.72	18.3	1.265	32.1	.438	11.1	2-56
51	1.425	36.2	.38	9.7	1.19	30.2	.469	11.9	.312	7.9	.75	19.1	1.215	30.9	.438	11.1	2-56
51-2	1.835	46.6	.36	9.1	1.19	30.2	.469	11.9	.281	7.1	.75	19.1	1.615	41.0	.438	11.1	2-56
69	1.730	43.9	.40	10.2	1.19	30.2	.469	11.9	.312	7.9	.75	19.1	1.515	38.5	.438	11.1	2-56
100	2.160	54.9	.45	11.4	1.25	31.8	.688	17.5	.500	12.7	.81	20.6	1.800	45.7	.469	11.9	4-40

MICRO-D ACCESSORIES