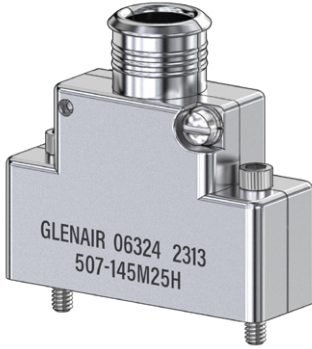


# Micro-D

## 507-145

### EMI Banding Backshell, Split, Round Entry

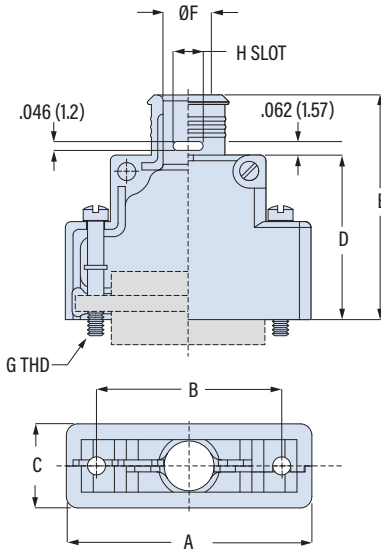
- Split
- Round Entry
- Micro Band Shield Termination



#### 507-145

This accessory fits MWDM and M83513 Class M metal shell Micro-D connectors

**EMI, split, banding.** 507-145 two piece backshell fits MIL-DTL-83513 Class M and Glenair MWDM Micro-D connectors with metal shell. Micro-D connector is captivated between backshell halves. Terminate cable shield to backshell with Micro band strap. Slide individual wire shields through optional slots on banding platform, or use slots for wire strain relief tie. Four screwlock styles are available: fillister head (standard), socket head, extended length (knurled, slotted), or fixed female hex jackposts. Aluminum with passivated stainless steel screws and washers.



#### BAND OPTIONS

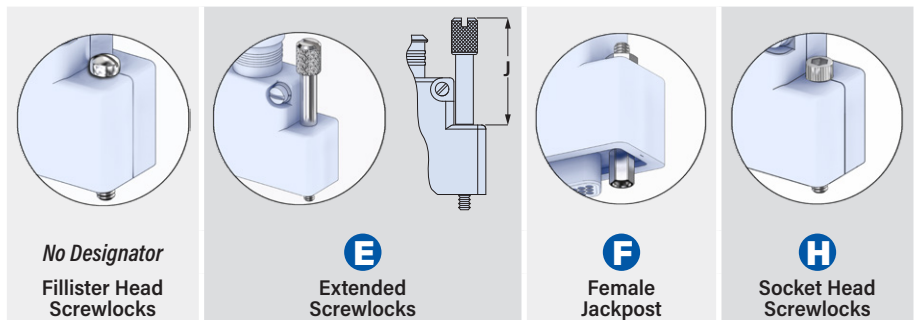
Band Type and Width	Hand Tool	Pneumatic Tool
Micro: .12 (3.0)	601-101	601-107
Micro Slim: .12 (3.0)	601-122	601-123
Micro-Max: .12 (3.0)	601-129	601-118

#### PART NUMBER

Sample PN →	<b>507-145</b>	<b>M</b>	<b>21</b>	<b>H</b>	<b>K</b>	<b>S</b>					
<b>Base P/N</b>	<b>507-145</b>										
<b>Finish</b>	<b>TZ</b>	Tin-Zinc									
	<b>JF</b>	Cadmium w/ Yellow Chromate									
	<b>M</b>	Electroless Nickel									
	<b>MT</b>	Nickel-PTFE									
	<b>ZR</b>	Black Zinc-Nickel									
	<b>Z2</b>	Gold									
<b>Shell Size</b>	<b>09</b>	<b>15</b>	<b>21</b>	<b>25</b>	<b>31</b>	<b>37</b>	<b>51</b>	<b>51-2</b>	<b>67</b>	<b>69</b>	<b>100</b>
<b>Screwlocks</b> (Table 1)	<b>Omit</b>	Fillister Head Male Screwlocks									
	<b>E</b>	Extended Knurled Slotted Screwlocks									
	<b>F</b>	Female Jackposts (fixed)									
	<b>H</b>	Socket Head Male Screwlocks									
<b>Band</b>	<b>Omit</b>	No Band									
	<b>K</b>	Micro Band Included									
	<b>J</b>	Micro Slim Band Included									
	<b>L</b>	Micro-Max Band Included									
<b>Slots</b>	<b>Omit</b>	No Slots									
	<b>S</b>	Slots included									

Size	A		B		C		D		E		ØF		G	H		J	
	in	mm	in	mm	in	mm	in	mm	in	mm	in	mm	UNC-2	in	mm	in	mm
<b>09</b>	.915	23.2	.565	14.4	.450	11.4	.721	18.3	1.033	26.2	.160	4.1	2-56	.109	2.8	.554	14.1
<b>15</b>	1.065	27.1	.715	18.2	.450	11.4	.783	19.9	1.096	27.8	.190	4.8	2-56	.125	3.2	.617	15.7
<b>21</b>	1.215	30.9	.865	22.0	.450	11.4	.815	20.7	1.127	28.6	.220	5.6	2-56	.125	3.2	.649	16.5
<b>25</b>	1.315	33.4	.965	24.5	.450	11.4	.877	22.3	1.190	30.2	.260	6.6	2-56	.156	4.0	.711	18.1
<b>31</b>	1.465	37.2	1.115	28.3	.450	11.4	.908	23.1	1.221	31.0	.275	7.0	2-56	.156	4.0	.722	18.3
<b>37</b>	1.615	41.0	1.265	32.1	.450	11.4	.971	24.7	1.283	32.6	.285	7.2	2-56	.156	4.0	.785	19.9
<b>51</b>	1.565	39.8	1.215	30.9	.495	12.6	1.033	26.2	1.346	34.2	.350	8.9	2-56	.188	4.8	.867	22.0
<b>51-2</b>	1.965	49.9	1.615	41.0	.450	11.4	1.033	26.2	1.346	34.2	.285	7.2	2-56	.188	4.8	.867	22.0
<b>67</b>	2.365	60.1	2.015	51.2	.450	11.4	1.033	26.2	1.346	34.2	.350	8.9	2-56	.188	4.8	.867	22.0
<b>69</b>	1.865	47.4	1.515	38.5	.495	12.6	1.033	26.2	1.346	34.2	.350	8.9	2-56	.188	4.8	.867	22.0
<b>100</b>	2.305	58.5	1.800	45.7	.540	13.7	1.096	27.8	1.408	35.8	.490	12.4	4-40	.219	5.6	.930	23.6

#### TABLE 1 SCREWLOCK OPTIONS



MICRO-D ACCESSORIES