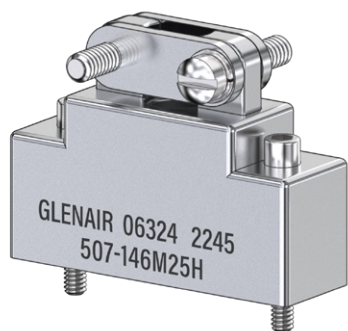


Micro-D

507-146

Straight Clamp Backshell

- Solid Backshell
- Saddle Bar Strain Relief
- For Unshielded Cable



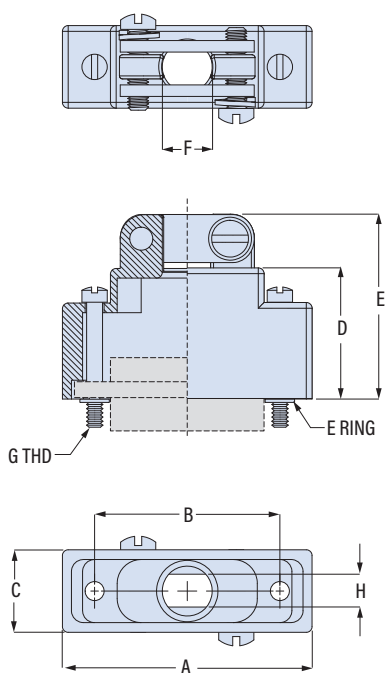
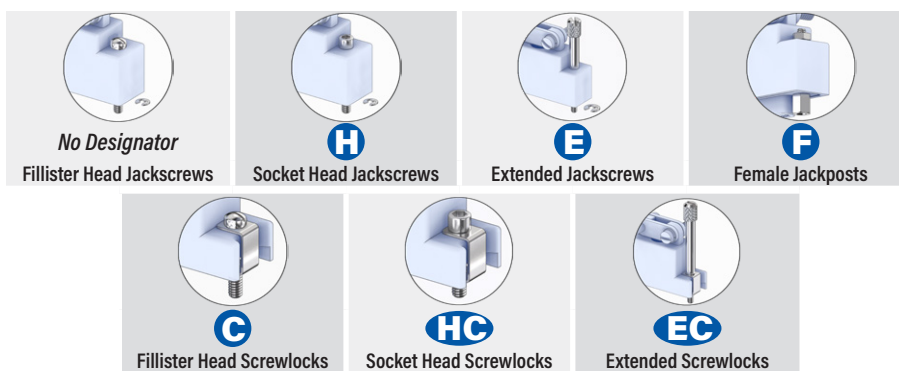
507-146

This accessory fits MWDM and M83513 Class M metal shell Micro-D connectors

Straight clamp. 507-146 strain relief backshell fits metal shell Micro-D connectors. Use with unshielded wire bundles. Flat saddle bars with provide strain relief. Aluminum with stainless steel screws, washers, e-rings and clips.

PART NUMBER		507-146	M	15	H
Base P/N	507-146				
Finish	TZ	Tin-Zinc			
	JF	Cadmium w/ Yellow Chromate			
	M	Electroless Nickel			
	MT	Nickel-PTFE			
	ZR	Black Zinc-Nickel			
	Z2	Gold			
Shell Size	09 15 21 25 31 37 51 51-2				
	67 69 75 100				
Hardware (Table 1)	Jackscrews				
	Omit	Fillister Head Male	Jackscrews must be fastened to mate connectors. Jackscrews and connector are retained with e-rings. Size 75 and 100 backshells have C clips instead of e-rings.		
	H	Socket Head Male			
	E	Extended Slotted			
	Screwlocks				
	C	Fillister Head Male	Screwlocks float and allow the connectors to be mated before the screws are fastened. Screwlocks and connector are retained with C clips.		
	HC	Socket Head Male			
EC	Extended Slotted				
Female Post					
F	Female Jackpost	Fixed, non-rotating			

TABLE 1 HARDWARE OPTIONS



Size	A		B		C		D		E		F		J	H	
	Max.	± .005 (0.1)	Max	± .005 (0.1)	Max	± .010 (0.3)	Max	± .030 (0.8)	Max	± .005 (0.1)	J THD	± .005 (0.1)	UNC-2	± .005 (0.1)	
	in	mm	in	mm	in	mm	in	mm	in	mm	in	mm		in	mm
09	.915	23.2	.565	14.4	.450	11.4	.530	13.5	.750	19.1	.160	4.1	2-56	.160	4.1
15	1.065	27.1	.715	18.2	.450	11.4	.580	14.7	.800	20.3	.190	4.8	2-56	.190	4.8
21	1.215	30.9	.865	22.0	.450	11.4	.630	16.0	.910	23.1	.220	5.6	2-56	.220	5.6
25	1.315	33.4	.965	24.5	.450	11.4	.680	17.3	.960	24.4	.260	6.6	2-56	.260	6.6
31	1.465	37.2	1.115	28.3	.450	11.4	.720	18.3	1.000	25.4	.275	7.0	2-56	.275	7.0
37	1.615	41.0	1.265	32.1	.450	11.4	.760	19.3	1.040	26.4	.285	7.2	2-56	.285	7.2
51	1.565	39.8	1.215	30.9	.495	12.6	.840	21.3	1.120	28.4	.350	8.9	2-56	.350	8.9
51-2	1.965	49.9	1.615	41.0	.450	11.4	.840	21.3	1.120	28.4	.500	12.7	2-56	.285	7.2
67	2.365	60.1	2.015	51.2	.450	11.4	.840	21.3	1.120	28.4	.500	12.7	2-56	.285	7.2
69	2.265	57.5	1.515	38.5	.495	12.6	.840	21.3	1.120	28.4	.500	12.7	2-56	.320	8.1
75	2.110	53.6	1.705	43.3	.495	12.6	.840	21.3	1.120	28.4	.530	13.5	4-40	.320	8.1
100	2.305	58.5	1.800	45.7	.540	13.7	.910	23.1	1.190	30.2	.530	13.5	4-40	.400	10.2