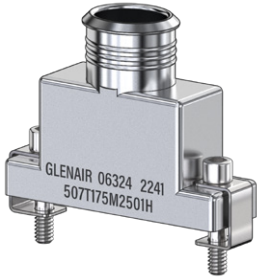


Micro-D

507-175

EMI Banding Backshell, Elliptical Micro Band

- Elliptical Entry
- Micro Band Shield Termination
- Top, 45° and 90° Entry



T Top Entry



S 90° Entry



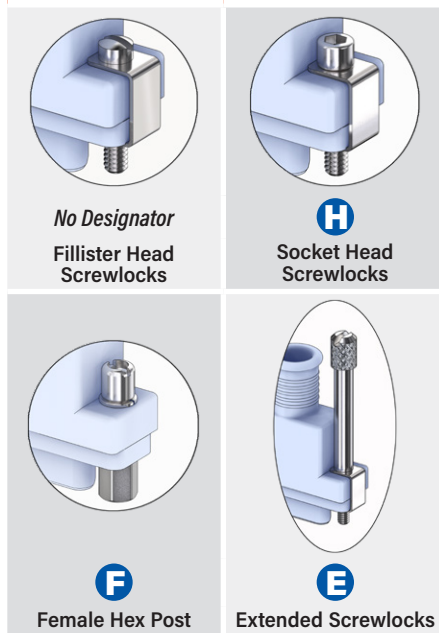
E 45° Entry

507-175

This accessory fits MWDM and M83513 Class M metal shell Micro-D connectors

EMI, variable elliptical entry. 507-175 backshell fits MIL-DTL-83513 Class M and Glenair MWDM Micro-D connectors. Elliptical entry accommodates large wire bundles. Optional Qwik-Ty strain relief arm. Terminate cable shield to backshell with BandMaster ATS .12" wide Micro band strap. Available with male or female screwlocks. Screwlocks allow connectors to be fully mated prior to fastening screws. Aluminum with passivated stainless steel screws and retainer clips.

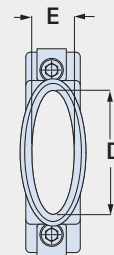
TABLE 1 SCREWLOCK OPTIONS



PART NUMBER

Sample PN → **507T175 JF 100 07 H S J**

Base P/N	507T175 T Top Entry																																								
	507S175 S 90° Entry																																								
	507E175 E 45° Entry																																								
Finish	TZ Tin-Zinc JF Cadmium w/ Yellow Chromate M Electroless Nickel MT Nickel-PTFE ZR Black Zinc-Nickel Z2 Gold																																								
Shell Size	09 15 21 25 31 37 51 51-2 67 69 75 100 130																																								
Entry Size	<table border="1"> <thead> <tr> <th>Entry Size</th> <th>D</th> <th>E</th> <th>Shell Sizes</th> </tr> </thead> <tbody> <tr> <td>01</td> <td>.344 (8.7)</td> <td>.290 (7.4)</td> <td>09 thru 130</td> </tr> <tr> <td>02</td> <td>.494 (12.5)</td> <td>.290 (7.4)</td> <td>15 thru 130</td> </tr> <tr> <td>03</td> <td>.644 (16.4)</td> <td>.290 (7.4)</td> <td>21 thru 130</td> </tr> <tr> <td>04</td> <td>.744 (18.9)</td> <td>.304 (7.7)</td> <td>25 thru 130</td> </tr> <tr> <td>05</td> <td>.894 (22.7)</td> <td>.304 (7.7)</td> <td>31 thru 130</td> </tr> <tr> <td>06</td> <td>.994 (25.2)</td> <td>.304 (7.7)</td> <td>37 thru 130</td> </tr> <tr> <td>07</td> <td>1.044 (26.5)</td> <td>.304 (7.7)</td> <td>37 thru 130</td> </tr> <tr> <td>08</td> <td>1.024 (26.0)</td> <td>.384 (9.8)</td> <td>75 thru 130</td> </tr> <tr> <td>09</td> <td>1.625 (41.3)</td> <td>.360 (9.1)</td> <td>130</td> </tr> </tbody> </table>	Entry Size	D	E	Shell Sizes	01	.344 (8.7)	.290 (7.4)	09 thru 130	02	.494 (12.5)	.290 (7.4)	15 thru 130	03	.644 (16.4)	.290 (7.4)	21 thru 130	04	.744 (18.9)	.304 (7.7)	25 thru 130	05	.894 (22.7)	.304 (7.7)	31 thru 130	06	.994 (25.2)	.304 (7.7)	37 thru 130	07	1.044 (26.5)	.304 (7.7)	37 thru 130	08	1.024 (26.0)	.384 (9.8)	75 thru 130	09	1.625 (41.3)	.360 (9.1)	130
Entry Size	D	E	Shell Sizes																																						
01	.344 (8.7)	.290 (7.4)	09 thru 130																																						
02	.494 (12.5)	.290 (7.4)	15 thru 130																																						
03	.644 (16.4)	.290 (7.4)	21 thru 130																																						
04	.744 (18.9)	.304 (7.7)	25 thru 130																																						
05	.894 (22.7)	.304 (7.7)	31 thru 130																																						
06	.994 (25.2)	.304 (7.7)	37 thru 130																																						
07	1.044 (26.5)	.304 (7.7)	37 thru 130																																						
08	1.024 (26.0)	.384 (9.8)	75 thru 130																																						
09	1.625 (41.3)	.360 (9.1)	130																																						
Screwlocks (Table 1)	Omit Fillister Head Male Screwlocks E Extended Slotted Male Screwlocks F Female Hex Post H Socket Head Male Screwlocks																																								
Qwik-Ty®	Omit No Qwik-Ty Arm S Qwik-Ty Arm Included																																								
Band	Omit No Band M Micro Band Included J Micro Slim Band Included L Micro-Max Band Included																																								



MICRO-D ACCESSORIES

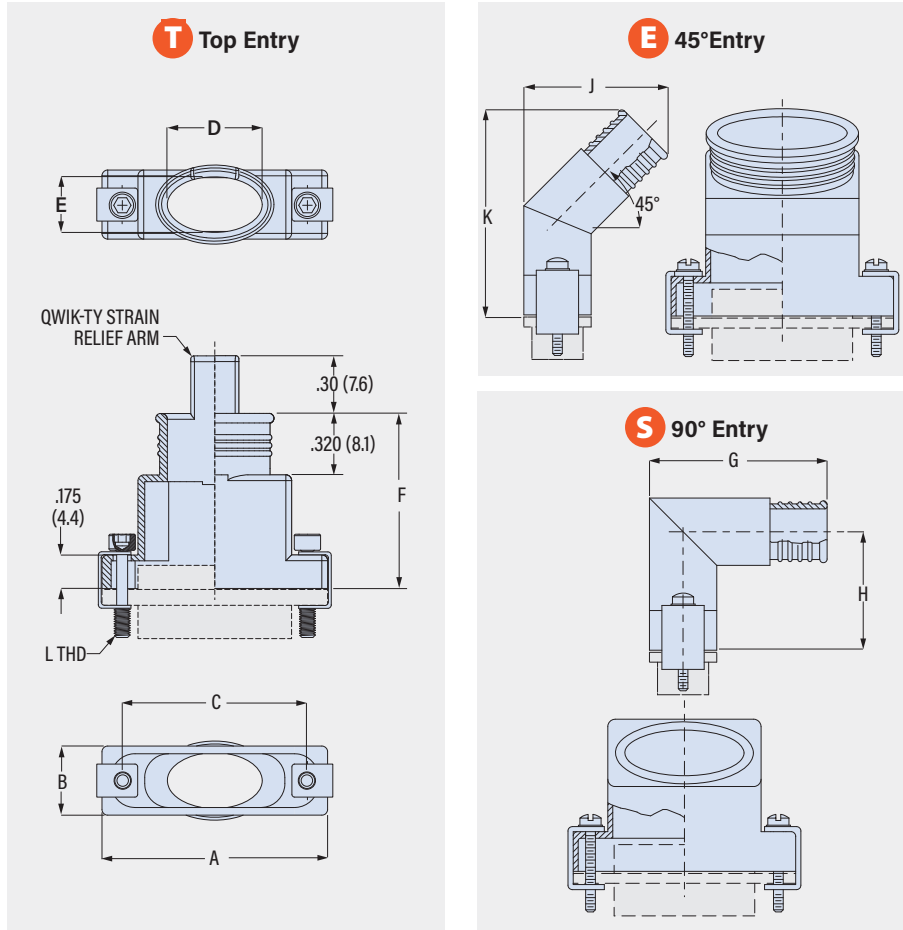
Micro-D

507-175

EMI Banding Backshell, Elliptical Micro Band

- Elliptical Entry
- Micro Band Shield Termination
- Top, 45° and 90° Entry

MICRO-D ACCESSORIES



Entry Size	D		E		Shell Sizes
	± .010 (0.3) in	mm	± .010 (0.3) in	mm	
01	.344	8.7	.290	7.4	09 thru 130
02	.494	12.5	.290	7.4	15 thru 130
03	.644	16.4	.290	7.4	21 thru 130
04	.744	18.9	.304	7.7	25 thru 130
05	.894	22.7	.304	7.7	31 thru 130
06	.994	25.2	.304	7.7	37 thru 130
07	1.044	26.5	.304	7.7	37 thru 130
08	1.024	26.0	.384	9.8	75 thru 130
09	1.625	41.3	.360	9.1	130

BAND OPTIONS

Terminate cable braid to backshell with optional band strap and banding tool. Pre-coiled bands are passivated stainless steel. Micro Slim bands have reduced thickness for weight reduction. Micro-Max bands are high-tension for lower-resistivity termination.



Band Type and Width	Hand Tool	Pneumatic Tool
Micro: .12 (3.0)	601-101	601-107
Micro Slim: .12 (3.0)	601-122	601-123
Micro-Max: .12 (3.0)	601-129	601-118

Size	A Max.		B Max.		C		F Max.		G Max.		H Max.		J Max.		K Max.		L Thd UNC-2
	in	mm	in	mm	in	mm	in	mm	in	mm	in	mm	in	mm	in	mm	
09	.850	21.6	.370	9.4	.565	14.4	.782	19.9	.970	24.6	.668	17.0	.673	17.1	.851	21.6	2-56
15	1.000	25.4	.370	9.4	.715	18.2	.832	21.1	.970	24.6	.668	17.0	.673	17.1	.876	22.3	2-56
21	1.150	29.2	.370	9.4	.865	22.0	.882	22.4	.970	24.6	.668	17.0	.673	17.1	.901	22.9	2-56
25	1.250	31.8	.370	9.4	.965	24.5	.932	23.7	.990	25.1	.678	17.2	.700	17.8	.943	24.0	2-56
31	1.400	35.6	.370	9.4	1.115	28.3	.972	24.7	.990	25.1	.678	17.2	.700	17.8	.963	24.5	2-56
37	1.550	39.4	.370	9.4	1.265	32.1	.972	24.7	.990	25.1	.678	17.2	.700	17.8	.983	25.0	2-56
51	1.500	38.1	.410	10.4	1.215	30.9	1.092	27.7	1.030	26.2	.698	17.7	.758	19.3	1.050	26.7	2-56
51-2	1.910	48.5	.370	9.4	1.615	41.0	1.092	27.7	1.030	26.2	.698	17.7	.758	19.3	1.050	26.7	2-56
67	2.310	58.7	.370	9.4	2.015	51.2	1.092	27.7	1.030	26.2	.698	17.7	.758	19.3	1.050	26.7	2-56
69	1.810	46.0	.410	10.4	1.515	38.5	1.092	27.7	1.030	26.2	.698	17.7	.758	19.3	1.050	26.7	2-56
75	2.140	54.4	.470	10.4	1.705	43.3	1.092	27.7	1.030	26.2	.698	17.7	.758	19.3	1.050	26.7	4-40
100	2.235	56.8	.460	11.7	1.800	45.7	1.157	29.4	1.090	27.7	.723	18.4	.824	20.9	1.130	28.7	4-40
130	2.585	65.9	.460	11.7	2.160	54.6	1.157	29.4	1.090	27.7	.723	18.4	.824	20.9	1.130	28.7	4-40