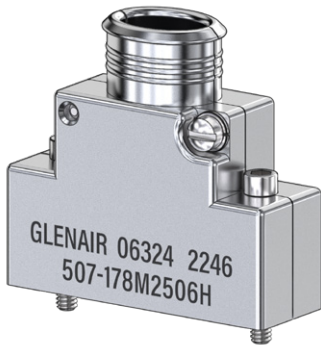


Micro-D

507-178

EMI Banding Backshell, Split, Elliptical Entry

- Split Elliptical
- Micro Band Shield Termination
- Top Entry

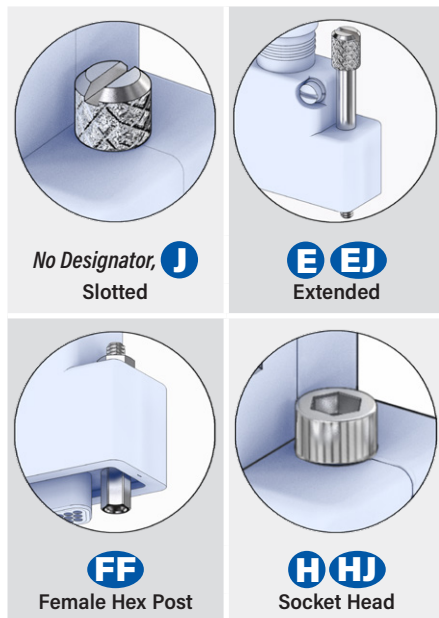


507-178

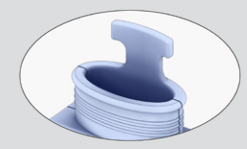
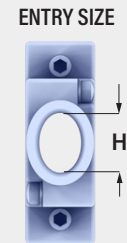
This accessory fits MWDM and M83513 Class M metal shell Micro-D connectors

EMI, split, banding, elliptical. 507-178 two piece backshell fits MIL-DTL-83513 Class M and Glenair MWDM Micro-D connectors with metal shell. Terminate cable shield to backshell with Micro band strap. Available with screwlocks or jackscrews: screwlocks allow connectors to be fully mated prior to fastening screws, jackscrews must be tightened in order to mate connectors. Aluminum with passivated stainless steel screws and washers.

TABLE 1
SCREWLOCK AND JACKSCREW OPTIONS



PART NUMBER																																											
Sample PN →	507-178 M 21 05 K HJ T																																										
Base P/N	507-178																																										
Material / Finish	TZ Tin-Zinc																																										
	JF Alum / Cadmium w/ Yel. Chromate																																										
	M Alum / Electroless Nickel																																										
	MT Alum / Nickel-PTFE																																										
	ZR Alum / Black Zinc-Nickel																																										
	Z1 SST / Passivated																																										
	Z2 Alum / Gold																																										
Shell Size	09 15 21 25 31 37 51 51-2																																										
	67 69 75 100 130																																										
Entry Size	<table border="1"> <thead> <tr> <th>Entry Size</th> <th>H</th> <th>Shell Size</th> </tr> </thead> <tbody> <tr> <td>04</td> <td>.250 (6.4)</td> <td>09, 15, 21</td> </tr> <tr> <td>05</td> <td>.312 (7.9)</td> <td>15, 21, 25, 31</td> </tr> <tr> <td>06</td> <td>.375 (9.5)</td> <td>21, 25, 31, 37, 51</td> </tr> <tr> <td>07</td> <td>.437 (11.1)</td> <td>25, 31, 37, 51</td> </tr> <tr> <td>08</td> <td>.500 (12.7)</td> <td>25, 31, 37, 51</td> </tr> <tr> <td>09</td> <td>.562 (14.3)</td> <td>31 to 130</td> </tr> <tr> <td>10</td> <td>.625 (15.9)</td> <td>31 to 130</td> </tr> <tr> <td>11</td> <td>.688 (17.5)</td> <td>37 to 130</td> </tr> <tr> <td>12</td> <td>.750 (19.1)</td> <td>37 to 130</td> </tr> <tr> <td>13</td> <td>.812 (20.6)</td> <td>37, 51-2 to 130</td> </tr> <tr> <td>14</td> <td>.875 (22.2)</td> <td>51-2 to 130</td> </tr> <tr> <td>15</td> <td>.938 (23.8)</td> <td>51-2 to 130</td> </tr> <tr> <td>16</td> <td>1.000 (25.4)</td> <td>51-2 to 130</td> </tr> </tbody> </table>	Entry Size	H	Shell Size	04	.250 (6.4)	09, 15, 21	05	.312 (7.9)	15, 21, 25, 31	06	.375 (9.5)	21, 25, 31, 37, 51	07	.437 (11.1)	25, 31, 37, 51	08	.500 (12.7)	25, 31, 37, 51	09	.562 (14.3)	31 to 130	10	.625 (15.9)	31 to 130	11	.688 (17.5)	37 to 130	12	.750 (19.1)	37 to 130	13	.812 (20.6)	37, 51-2 to 130	14	.875 (22.2)	51-2 to 130	15	.938 (23.8)	51-2 to 130	16	1.000 (25.4)	51-2 to 130
	Entry Size	H	Shell Size																																								
	04	.250 (6.4)	09, 15, 21																																								
	05	.312 (7.9)	15, 21, 25, 31																																								
	06	.375 (9.5)	21, 25, 31, 37, 51																																								
	07	.437 (11.1)	25, 31, 37, 51																																								
	08	.500 (12.7)	25, 31, 37, 51																																								
	09	.562 (14.3)	31 to 130																																								
	10	.625 (15.9)	31 to 130																																								
	11	.688 (17.5)	37 to 130																																								
	12	.750 (19.1)	37 to 130																																								
	13	.812 (20.6)	37, 51-2 to 130																																								
	14	.875 (22.2)	51-2 to 130																																								
	15	.938 (23.8)	51-2 to 130																																								
	16	1.000 (25.4)	51-2 to 130																																								
	Band	Omit No Band																																									
K Micro Band Included																																											
J Micro Slim Band Included																																											
L Micro-Max Band Included																																											
Screwlocks and Jackscrews (Table 1)	<p>Male Screwlocks</p> <p>Omit Slotted Male</p> <p>H Socket Head Male</p> <p>E Extended Slotted</p> <p>Jackscrews</p> <p>J Slotted Male</p> <p>HJ Socket Head Male</p> <p>EJ Extended Slotted</p> <p>Female Post</p> <p>FF Female Jackposts Fixed Hex</p> <p><i>Screwlocks float and allow the connectors to be mated before the screws are fastened.</i></p> <p><i>Jackscrews must be fastened to mate connectors.</i></p>																																										
	Qwik-Ty	Omit No Qwik-Ty																																									
		T Qwik-Ty Strain Relief Arm																																									



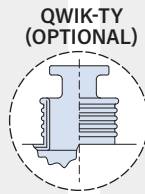
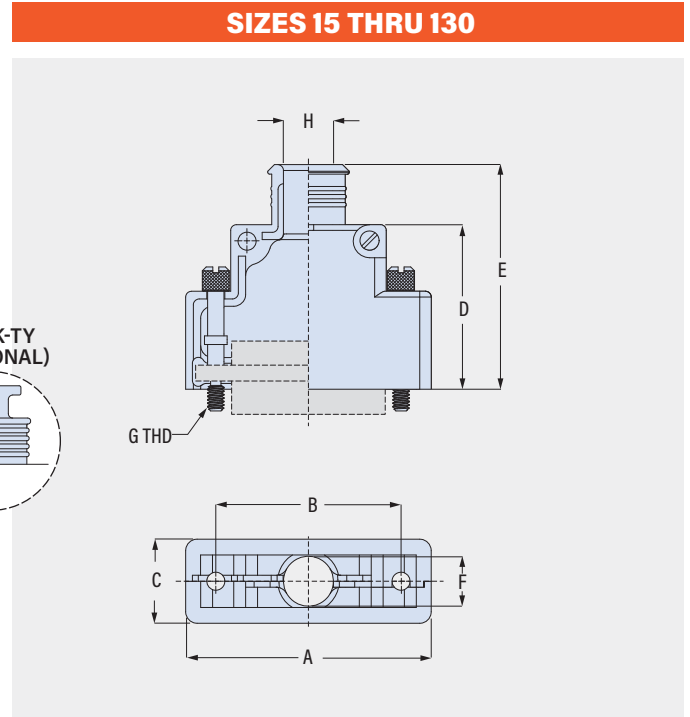
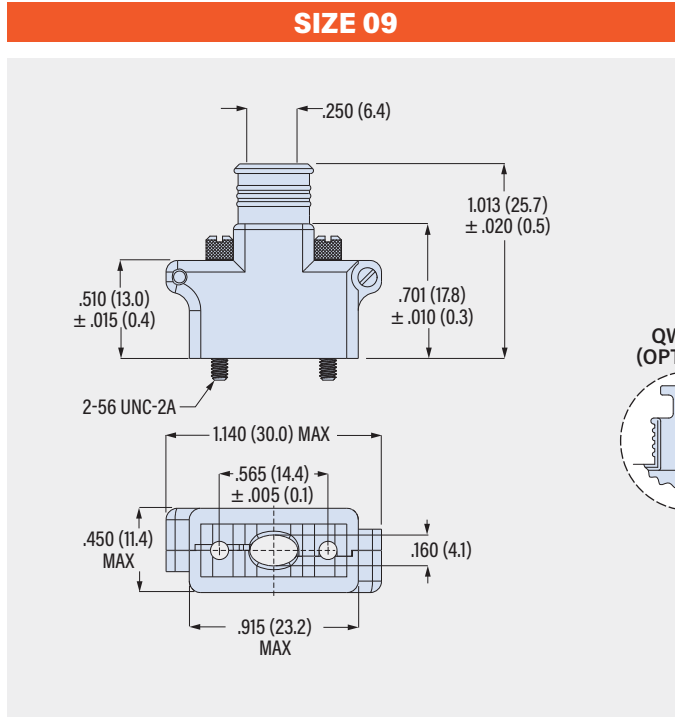
MICRO-D ACCESSORIES

Micro-D

507-178

EMI Banding Backshell, Split, Elliptical Entry

- Split Elliptical
- Micro Band Shield Termination
- Top Entry



Size	A		B		C		D		E		F		G
	in	Max mm	±.005 (0.1) in	mm	in	Max mm	±.010 (0.3) in	mm	±.020 (0.5) in	mm	in	mm	Thd UNC-2
15	1.065	27.1	.715	18.2	.450	11.4	.763	19.4	1.076	27.3	.190	4.8	2-56
21	1.215	30.9	.865	22.0	.450	11.4	.795	20.2	1.107	28.1	.220	5.6	2-56
25	1.315	33.4	.965	24.5	.450	11.4	.857	21.8	1.170	29.7	.260	6.6	2-56
31	1.465	37.2	1.115	28.3	.450	11.4	.888	22.6	1.201	30.5	.275	7.0	2-56
37	1.615	41.0	1.265	32.1	.450	11.4	.951	24.2	1.263	32.1	.285	7.2	2-56
51	1.565	39.8	1.215	30.9	.495	12.6	1.013	25.7	1.326	33.7	.350	8.9	2-56
51-2	1.965	49.9	1.615	41.0	.450	11.4	1.013	25.7	1.326	33.7	.350	8.9	2-56
67	2.365	60.1	2.015	51.2	.450	11.4	1.013	25.7	1.326	33.7	.350	8.9	2-56
69	1.865	47.4	1.515	38.5	.495	12.6	1.013	25.7	1.326	33.7	.350	8.9	2-56
75	2.210	56.13	1.705	43.3	.495	12.6	1.013	25.7	1.326	33.7	.350	8.9	4-40
100	2.305	58.5	1.800	45.7	.540	13.7	1.076	27.3	1.388	35.3	.490	12.4	4-40
130	2.665	67.7	2.160	54.6	.540	13.7	1.076	27.3	1.388	35.3	.490	12.4	4-40

Entry Size	H		Shell Size
	in	mm	
04	.250	6.4	09, 15, 21
05	.312	7.9	15, 21, 25, 31
06	.375	9.5	21, 25, 31, 37, 51
07	.437	11.1	25, 31, 37, 51
08	.500	12.7	25, 31, 37, 51
09	.562	14.3	31 to 130
10	.625	15.9	31 to 130
11	.688	17.5	37 to 130
12	.750	19.1	37 to 130
13	.812	20.6	37, 51-2 to 130
14	.875	22.2	51-2 to 130
15	.938	23.8	51-2 to 130
16	1.000	25.4	51-2 to 130

BAND OPTIONS

Terminate cable braid to backshell with optional band strap and banding tool. Pre-coiled bands are passivated stainless steel. Micro Slim bands have reduced thickness for weight reduction. Micro-Max bands are high-tension for lower-resistivity termination.

Band Type and Width	Hand Tool	Pneumatic Tool
Micro: .12 (3.0)	601-101	601-107
Micro Slim: .12 (3.0)	601-122	601-123
Micro-Max: .12 (3.0)	601-129	601-118

MICRO-D ACCESSORIES