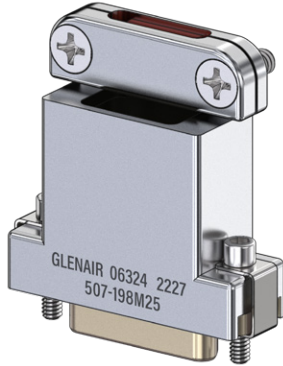


Micro-D

507-198

Deep Straight Clamp Backshell

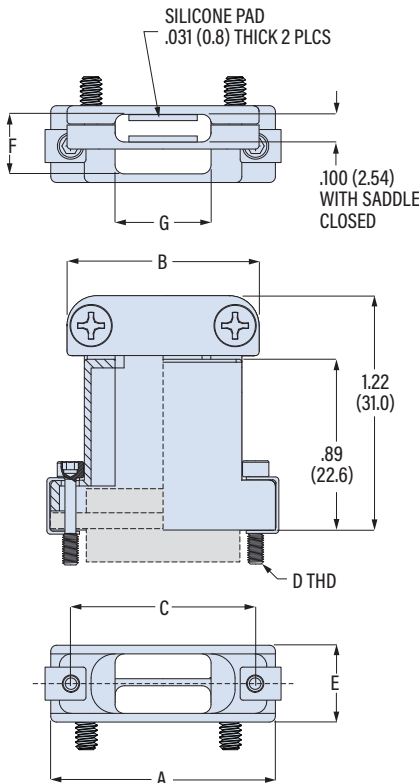
- Solid Backshell
- Saddle Bar Strain Relief
- For Unshielded Cable



507-198

This accessory fits MWDM and M83513 Class M metal shell Micro-D connectors

Straight clamp. 507-198 strain relief backshell fits metal shell Micro-D connectors. Use with unshielded wire bundles. Flat saddle bars have silicone pads. Connector is retained with clips. Available with screwlocks, jackscrews or female jackposts. Aluminum with stainless steel screws and clips.



PART NUMBER

Sample PN →	507-198	MT	37	F
Base P/N	507-198			
Finish	TZ	Tin-Zinc		
	JF	Cadmium w/ Yellow Chromate		
	M	Electroless Nickel		
	MT	Nickel-PTFE		
	ZR	Black Zinc-Nickel		
Shell Size	09 15 21 25 31 37 51 51-2			
	67 69 75 100 130			
Hardware (Table 1)	Omit	Socket Head Male Screwlock		
	HJ	Socket Head Male Jackscrew		
	F	Female Hex Post		

Jackscrews must be fastened to mate connectors. Screwlocks float and allow the connectors to be mated before the screws are fastened.

Size	A Max		B Max		C		DThd UNC-2	E Max		F		G	
	in	mm	in	mm	in	mm		in	mm	in	mm	in	mm
09	.850	21.6	.840	21.3	.565	14.4	2-56	.420	10.7	.310	7.9	.310	7.9
15	1.000	25.4	.910	23.1	.715	18.2	2-56	.420	10.7	.310	7.9	.380	9.7
21	1.150	29.2	.970	24.6	.865	22.0	2-56	.420	10.7	.310	7.9	.440	11.2
25	1.250	31.8	1.030	26.2	.965	24.5	2-56	.420	10.7	.310	7.9	.500	12.7
31	1.400	35.6	1.080	27.4	1.115	28.3	2-56	.420	10.7	.310	7.9	.550	14.0
37	1.550	39.4	1.130	28.7	1.265	32.1	2-56	.420	10.7	.310	7.9	.600	15.2
51	1.500	38.1	1.080	27.4	1.215	30.9	2-56	.470	11.9	.360	9.1	.550	14.0
51-2	1.910	48.5	1.480	37.6	1.615	41.0	2-56	.420	10.7	.310	7.9	.950	24.1
67	2.310	58.7	1.880	47.8	2.015	51.2	2-56	.420	10.7	.310	7.9	1.350	34.3
69	1.810	46.0	1.380	35.1	1.515	38.5	2-56	.470	11.9	.360	9.1	.850	21.6
75	2.150	54.4	1.720	43.7	1.705	43.3	4-40	.470	11.9	.360	9.1	1.190	30.2
100	2.235	56.8	1.650	41.9	1.800	45.7	4-40	.510	13.0	.400	10.2	1.000	25.4
130	2.585	65.7	2.155	54.7	2.150	54.6	4-40	.510	13.0	.400	10.2	1.350	34.3

TABLE 1
SCREWLOCK AND JACKSCREW OPTIONS

<p>No Designator Socket Head Screwlocks</p>	<p>HJ Socket Head Jackscrews</p>	<p>F Female Hex Post</p>
<p>CLIP CLIP HAS CIRCULAR HOLE AND SQUARE HOLE.</p>	<p>SCREWLOCK SQUARE HOLE IS ON THE TOP. SCREW IS FLOATING. MATE CONNECTORS FIRST, THEN FASTEN SCREWLOCKS.</p>	<p>JACKSCREW SQUARE HOLE IS ON THE BOTTOM. SCREW IS CAPTIVE. TURN SCREWS TO JACK CONNECTORS TOGETHER.</p>

MICRO-D ACCESSORIES