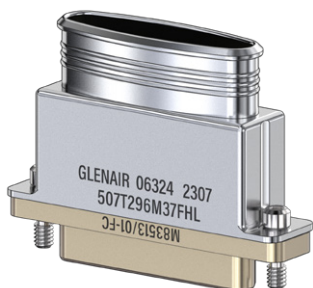


Micro-D

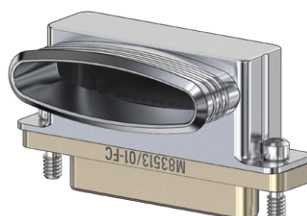
507-296

EMI Banding Backshell, Lightweight Micro Band

- Elliptical Top and 90° Entry
- Micro Band Shield Termination
- Lightweight



T Top Entry



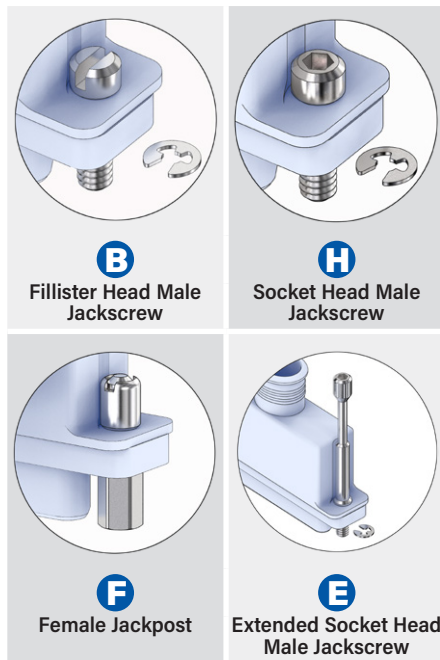
S 90° Entry

507-296

This accessory fits MWDM and M83513 Class M metal shell Micro-D connectors

Lightweight, elliptical entry. 507-296 EMI banding backshell fits metal shell Micro-D connectors. Lightweight design features reduced flange height and reduced hardware weight. Jackscrews have e-rings to attach backshell to connector. Available with jackscrews or female jackposts. Aluminum or stainless steel. Stainless steel screws and e-rings.

TABLE 1
HARDWARE OPTIONS



PART NUMBER

Sample PN → **507T296** **M** **21** **B** **E** **K**

Base P/N	507T296 T Top Entry 507S296 S 90° Entry																																	
Material / Finish	TZ Tin-Zinc JF Alum / Cadmium w/ Yel. Chromate M Alum / Electroless Nickel MT Alum / Nickel-PTFE ZR Alum / Black Zinc-Nickel Z1 SST / Passivated Z2 Alum / Gold																																	
Shell Size	09 15 21 25 31 37 51 51-2 67 69 75 100 130																																	
Entry Size	<table border="1"> <thead> <tr> <th>Entry Size</th> <th>G</th> <th>Shell Size</th> </tr> </thead> <tbody> <tr><td>A</td><td>.320 (8.1)</td><td>09 thru 130</td></tr> <tr><td>B</td><td>.470 (11.9)</td><td>15 thru 130</td></tr> <tr><td>C</td><td>.620 (15.7)</td><td>21 thru 130</td></tr> <tr><td>D</td><td>.720 (18.3)</td><td>25 thru 130</td></tr> <tr><td>E</td><td>.870 (22.1)</td><td>31 thru 130</td></tr> <tr><td>F</td><td>.970 (24.6)</td><td>37 thru 130</td></tr> <tr><td>G</td><td>1.020 (25.9)</td><td>37, 51-2 thru 130</td></tr> <tr><td>H</td><td>1.270 (32.3)</td><td>51-2 thru 130</td></tr> <tr><td>J</td><td>1.360 (34.5)</td><td>51-2, 67, 100, 130</td></tr> <tr><td>K</td><td>1.770 (45.0)</td><td>67, 130</td></tr> </tbody> </table>	Entry Size	G	Shell Size	A	.320 (8.1)	09 thru 130	B	.470 (11.9)	15 thru 130	C	.620 (15.7)	21 thru 130	D	.720 (18.3)	25 thru 130	E	.870 (22.1)	31 thru 130	F	.970 (24.6)	37 thru 130	G	1.020 (25.9)	37, 51-2 thru 130	H	1.270 (32.3)	51-2 thru 130	J	1.360 (34.5)	51-2, 67, 100, 130	K	1.770 (45.0)	67, 130
Entry Size	G	Shell Size																																
A	.320 (8.1)	09 thru 130																																
B	.470 (11.9)	15 thru 130																																
C	.620 (15.7)	21 thru 130																																
D	.720 (18.3)	25 thru 130																																
E	.870 (22.1)	31 thru 130																																
F	.970 (24.6)	37 thru 130																																
G	1.020 (25.9)	37, 51-2 thru 130																																
H	1.270 (32.3)	51-2 thru 130																																
J	1.360 (34.5)	51-2, 67, 100, 130																																
K	1.770 (45.0)	67, 130																																
Hardware (Table 1)	B Fillister Head Male Jackscrew H Socket Head Male Jackscrew E Extended Male Jackscrew* F Female Jackpost <small>* Extended jackscrew is not to be used with top entry backshell at max entry size.</small>																																	
Band	Omit No Band L Micro Band Included J Micro Slim Band Included K Micro-Max Band Included																																	

MICRO-D ACCESSORIES

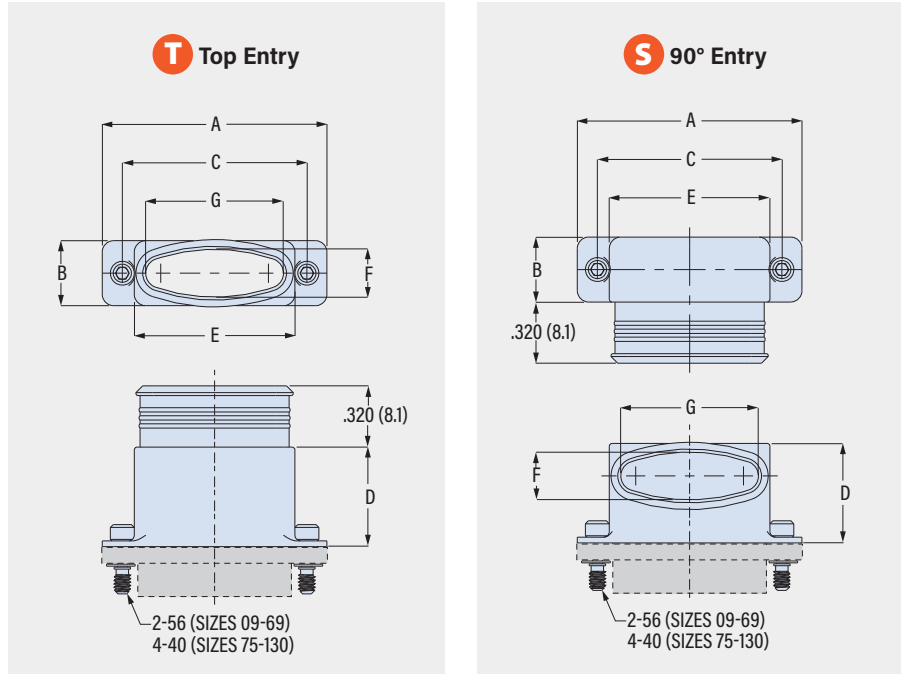
Micro-D

507-296

EMI Banding Backshell, Lightweight Micro Band

- Elliptical Top and 90° Entry
- Micro Band Shield Termination
- Lightweight

MICRO-D ACCESSORIES



Entry Size	G		Available Shell Sizes
	in	mm	
A	.320	8.1	09 thru 130
B	.470	11.9	15 thru 130
C	.620	15.7	21 thru 130
D	.720	18.3	25 thru 130
E	.870	22.1	31 thru 130
F	.970	24.6	37 thru 130
G	1.020	25.9	37, 51-2 thru 130
H	1.270	32.3	51-2 thru 130
J	1.360	34.5	51-2, 67, 100, 130
K	1.770	45.0	67, 130

BAND OPTIONS

Terminate cable braid to backshell with optional band strap and banding tool. Pre-coiled bands are passivated stainless steel. Micro Slim bands have reduced thickness for weight reduction. Micro-Max bands are high-tension for lower-resistivity termination.



Band Type and Width	Hand Tool	Pneumatic Tool
Micro: .12 (3.0)	601-101	601-107
Micro Slim: .12 (3.0)	601-122	601-123
Micro-Max: .12 (3.0)	601-129	601-118

Size	A		B		C		D		E		F		Max Entry
	in	mm	in	mm	in	mm	in	mm	in	mm	in	mm	
09	.775	19.7	.340	8.6	.565	14.4	.520	13.2	.440	11.2	.250	6.4	A
15	.925	23.5	.340	8.6	.715	18.2	.520	13.2	.590	15.0	.250	6.4	B
21	1.075	27.3	.340	8.6	.865	22.0	.520	13.2	.740	18.8	.250	6.4	C
25	1.175	29.8	.340	8.6	.965	24.5	.520	13.2	.840	21.3	.250	6.4	D
31	1.325	33.7	.340	8.6	1.115	28.3	.520	13.2	.990	25.1	.250	6.4	E
37	1.475	37.5	.340	8.6	1.265	32.1	.520	13.2	1.140	29.0	.250	6.4	G
51	1.425	36.2	.380	9.7	1.215	30.9	.610	15.5	1.090	27.7	.290	7.4	F
51-2	1.825	46.4	.340	8.6	1.615	41.0	.520	13.2	1.490	37.8	.250	6.4	J
67	2.225	56.5	.340	8.6	2.015	51.2	.520	13.2	1.890	48.0	.250	6.4	K
69	1.725	43.8	.380	9.7	1.515	38.5	.610	15.5	1.390	35.3	.290	7.4	H
75	2.070	52.6	.380	9.7	1.705	43.3	.520	13.2	1.490	37.8	.290	7.4	H
100	2.160	54.9	.430	10.9	1.800	45.7	.630	16.0	1.522	38.7	.340	8.6	J
130	2.510	63.8	.430	10.9	2.150	54.6	.630	16.0	1.882	47.8	.340	8.6	K