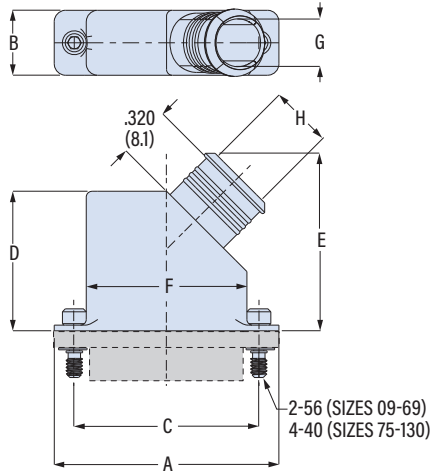


Micro-D

507-297

EMI Banding Backshell, Lightweight 45°

- Elliptical 45° Entry
- Micro Band Shield Termination
- Lightweight



Entry Size	H	Available Shell Sizes
	in mm	
A	∅ .188 4.8	09 thru 130
B	∅ .230 5.8	15 thru 130
C	.265 6.7	21 thru 130
D	.335 8.5	25 thru 130
E	.360 9.1	31 thru 130
F	.410 10.4	37 thru 130
G	.520 13.2	51 thru 130
H	.585 14.9	51-2 thru 130
J	.665 16.9	51-2 thru 130
K	.720 18.3	67, 100, 130
L	.760 19.3	67, 130

Shell Size	A		B		C		D		E		F		G		Max Entry
	in	mm	in	mm	in	mm	in	mm	in	mm	in	mm	in	mm	
09	.775	19.7	.340	8.6	.565	14.4	.500	12.7	.70	17.8	.440	11.2	-	-	A
15	.925	23.5	.340	8.6	.715	18.2	.560	14.2	.76	19.3	.590	15.0	-	-	B
21	1.075	27.3	.340	8.6	.865	22.0	.660	16.8	.86	21.8	.740	18.8	.250	6.4	C
25	1.175	29.8	.340	8.6	.965	24.5	.730	18.5	.93	23.6	.840	21.3	.250	6.4	D
31	1.325	33.7	.340	8.6	1.115	28.3	.810	20.6	1.01	25.7	.990	25.1	.250	6.4	E
37	1.475	37.5	.340	8.6	1.265	32.1	.890	22.6	1.09	27.7	1.140	29.0	.250	6.4	F
51	1.425	36.2	.380	9.7	1.215	30.9	.900	22.9	1.10	27.9	1.090	27.7	.290	7.4	G
51-2	1.825	46.4	.340	8.6	1.615	41.0	1.030	26.2	1.23	31.2	1.490	37.8	.250	6.4	J
67	2.225	56.5	.340	8.6	2.015	51.2	1.030	26.2	1.23	31.2	1.890	48.0	.250	6.4	L
69	1.725	43.8	.380	9.7	1.515	38.5	1.050	26.7	1.25	31.8	1.390	35.3	.290	7.4	J
75	2.070	52.6	.380	9.7	1.705	43.3	1.050	26.7	1.25	31.8	1.490	37.8	.290	7.4	J
100	2.160	54.9	.430	10.9	1.800	45.7	1.100	27.9	1.30	33.0	1.522	38.7	.340	8.6	K
130	2.510	63.8	.430	10.9	2.150	54.6	1.100	27.9	1.30	33.0	1.882	47.8	.340	8.6	L

MICRO-D ACCESSORIES