

# Micro-D

## 507-299

### EMI Banding Backshell, MLDM

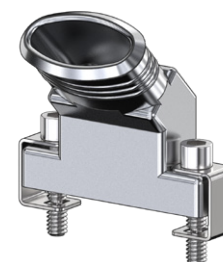
- For MLDM Connectors
- Micro Band Shield Termination
- Top, End and Side Entry



**T** Top Entry



**S** 90° Entry



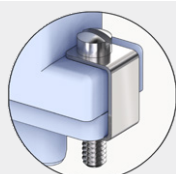
**E** 45° Entry

#### 507-299

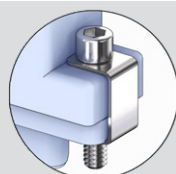
This accessory fits MLDM metal shell and MWDL plastic shell Micro-D connectors

Lightweight, elliptical entry. 507-299 EMI banding backshell fits MLDM low-profile metal shell Micro-D connectors. Terminate cable shield to backshell with BandMaster ATS .12" wide Micro band strap. Available with male or female screwlocks. Screwlocks allow connectors to be fully mated prior to fastening screws. Aluminum with passivated stainless steel screws and retainer clips.

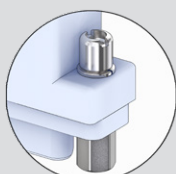
#### TABLE 1 SCREWLOCK OPTIONS



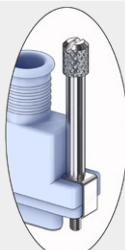
No Designator  
Fillister Head



**H**  
Socket Head



**F**  
Female Hex Post



**E**  
Extended

#### PART NUMBER

Sample PN → **507T299 JF 37 05 H J**

Base P/N	Base Part No.	Profile	
	<b>507T299</b>	<b>T</b> Top Entry	
	<b>507S299</b>	<b>S</b> 90° Entry	
	<b>507E299</b>	<b>E</b> 45° Entry	
Finish	<b>TZ</b>	Tin-Zinc	
	<b>JF</b>	Cadmium w/ Yellow Chromate	
	<b>M</b>	Electroless Nickel	
	<b>MT</b>	Nickel-PTFE	
	<b>ZR</b>	Black Zinc-Nickel	
	<b>Z2</b>	Gold	
Shell Size	<b>9 15 21 25 31 37 51 51-2</b>		
Entry Size	Entry Size	L	Shell Size
	<b>01</b>	.344 (8.7)	9 thru 51-2
	<b>02</b>	.494 (12.5)	15 thru 51-2
	<b>03</b>	.644 (16.4)	21 thru 51-2
	<b>04</b>	.744 (18.9)	25 thru 51-2
	<b>05</b>	.894 (22.7)	31 thru 51-2
	<b>06</b>	.994 (25.2)	37 thru 51-2
<b>07</b>	1.044 (26.5)	37 and 51-2	
Jack screws (Table 1)	<b>Omit</b>	Fillister Head Male Screwlocks	
	<b>E</b>	Extended Male Screwlocks	
	<b>F</b>	Female Screwlocks	
	<b>H</b>	Socket Head Male Screwlocks	
Band	<b>Omit</b>	No Band	
	<b>M</b>	Micro Band Included	
	<b>J</b>	Micro Slim Band Included	
	<b>L</b>	Micro-Max Band Included	

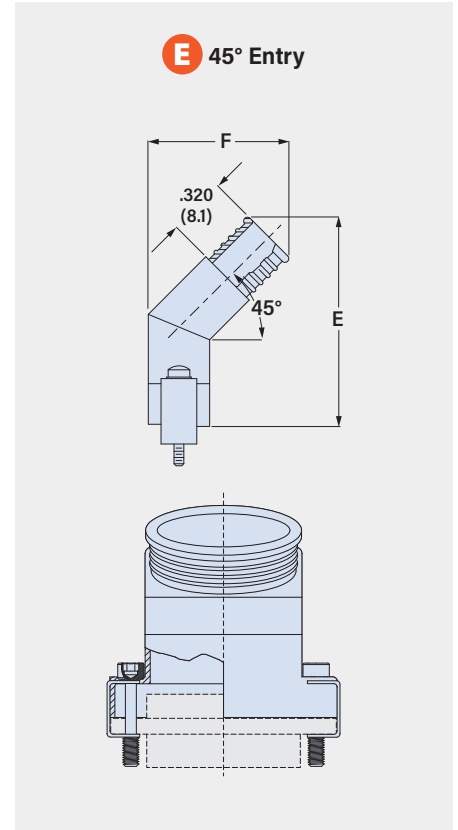
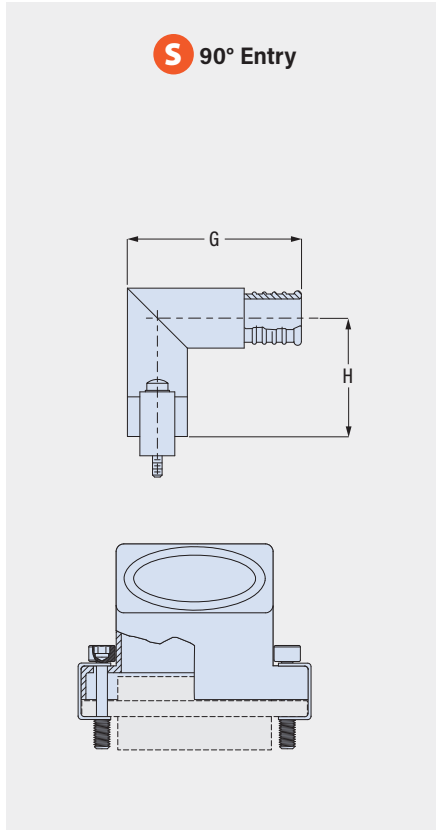
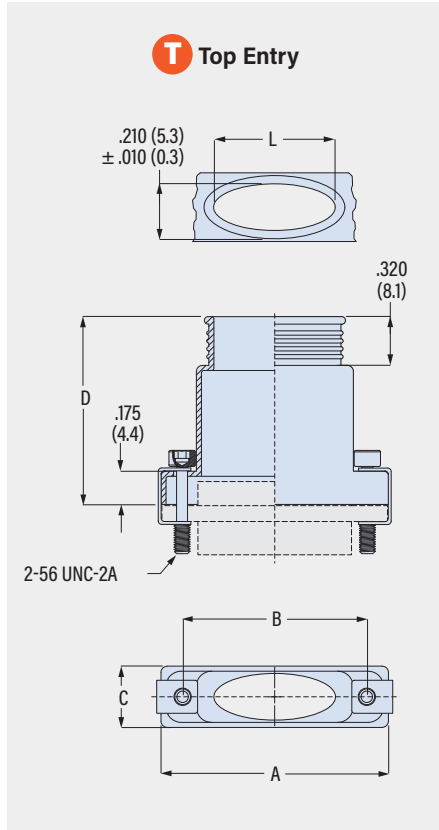


# Micro-D

## 507-299

### EMI Banding Backshell, MLDM

- For MLDM Connectors
- Micro Band Shield Termination
- Top, End and Side Entry



Shell Size	A		B		C		D		E		F		G		H		Max Entry
	in	mm	in	mm	in	mm	in	mm	in	mm	in	mm	in	mm	in	mm	
<b>9</b>	.785	19.9	.565	14.4	.265	6.7	.762	19.4	.851	21.6	.673	17.1	.970	24.6	.668	17.0	01
<b>15</b>	.935	23.7	.715	18.2	.265	6.7	.812	20.6	.876	22.3	.673	17.1	.970	24.6	.668	17.0	02
<b>21</b>	1.085	27.6	.865	22.0	.265	6.7	.862	21.9	.901	22.9	.673	17.1	.970	24.6	.668	17.0	03
<b>25</b>	1.185	30.1	.965	24.5	.265	6.7	.912	23.2	.943	24.0	.700	17.8	.990	25.1	.678	17.2	04
<b>31</b>	1.335	33.9	1.115	28.3	.265	6.7	.952	24.2	.963	24.5	.700	17.8	.990	25.1	.678	17.2	05
<b>37</b>	1.485	37.7	1.265	32.1	.265	6.7	.952	24.2	.983	25.0	.700	17.8	.990	25.1	.678	17.2	07
<b>51</b>	1.435	36.4	1.215	30.9	.305	7.7	1.072	27.2	1.050	26.7	.758	19.3	1.030	26.2	.698	17.7	06
<b>51-2</b>	1.845	46.9	1.615	41.0	.265	6.7	1.072	27.2	1.050	26.7	.758	19.3	1.030	26.2	.698	17.7	07

Entry Size	L		Available Shell Sizes
	in	mm	
<b>01</b>	.344	8.7	9 thru 51-2
<b>02</b>	.494	12.5	15 thru 51-2
<b>03</b>	.644	16.4	21 thru 51-2
<b>04</b>	.744	18.9	25 thru 51-2
<b>05</b>	.894	22.7	31 thru 51-2
<b>06</b>	.994	25.2	37 thru 51-2
<b>07</b>	1.044	26.5	37 and 51-2

#### BAND OPTIONS

Terminate cable braid to backshell with optional band strap and banding tool. Pre-coiled bands are passivated stainless steel. Micro Slim bands have reduced thickness for weight reduction. Micro-Max bands are high-tension for lower-resistivity termination.

Band Type and Width	Hand Tool	Pneumatic Tool
Micro: .12 (3.0)	<b>601-101</b>	<b>601-107</b>
Micro Slim: .12 (3.0)	<b>601-122</b>	<b>601-123</b>
Micro-Max: .12 (3.0)	<b>601-129</b>	<b>601-118</b>

MICRO-D ACCESSORIES