

Micro-D

780-555

Protective Cover, Rubber



780-555

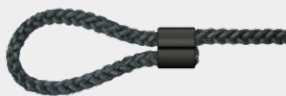
This accessory fits MIL-DTL-83513 Class M and MWDM Micro-D connectors

Neoprene or silicone. 780-555 rubber cover fits metal shell Micro-D connectors. Cover protects connector from damage and contamination. Three material choices: black neoprene, carbon-filled conductive black neoprene, or red silicone. Nylon rope lanyard attaches cover to cable or panel. Attachment choices include cable tie, slip knot or stainless steel ring. *Not rated for water immersion.*

PART NUMBER																									
Sample PN →	780-555 -25S G 4 -06 C																								
Base P/N	780-555																								
Size	-9P -9S -15P -15S -21P -21S -25P -25S -31P -31S -37P -51P -51S -51-2P -51-2S -69P -69S -100P -100S																								
Attachment	<i>Omit</i> No Attachment G Nylon Rope																								
Attachment Length	Length in One Inch Increments (Example: 4 = four inch lanyard)																								
Attachment Fitting	<table border="1"> <thead> <tr> <th>Code</th> <th>Fitting Type</th> <th>Ring I.D.</th> </tr> </thead> <tbody> <tr> <td>-00</td> <td>No Fitting</td> <td>N/A</td> </tr> <tr> <td>-04</td> <td>Ring</td> <td>.197 (5.0)</td> </tr> <tr> <td>-06</td> <td>Ring</td> <td>.125 (3.2)</td> </tr> <tr> <td>-07</td> <td>Ring</td> <td>.218 (5.5)</td> </tr> <tr> <td>-09</td> <td>Ring</td> <td>.156 (4.0)</td> </tr> <tr> <td>-WS</td> <td>Cable Tie</td> <td>N/A</td> </tr> <tr> <td>-SK</td> <td>Slip Knot</td> <td>N/A</td> </tr> </tbody> </table>	Code	Fitting Type	Ring I.D.	-00	No Fitting	N/A	-04	Ring	.197 (5.0)	-06	Ring	.125 (3.2)	-07	Ring	.218 (5.5)	-09	Ring	.156 (4.0)	-WS	Cable Tie	N/A	-SK	Slip Knot	N/A
Code	Fitting Type	Ring I.D.																							
-00	No Fitting	N/A																							
-04	Ring	.197 (5.0)																							
-06	Ring	.125 (3.2)																							
-07	Ring	.218 (5.5)																							
-09	Ring	.156 (4.0)																							
-WS	Cable Tie	N/A																							
-SK	Slip Knot	N/A																							
Material	<i>Omit</i> Black Neoprene C Conductive Black Neoprene (10 ⁵ Ω/square min.) S Red Silicone																								

ATTACHMENT FITTING

SK SLIP KNOT



Nylon Rope, Kynar Friction Sleeve

WS CABLE TIE

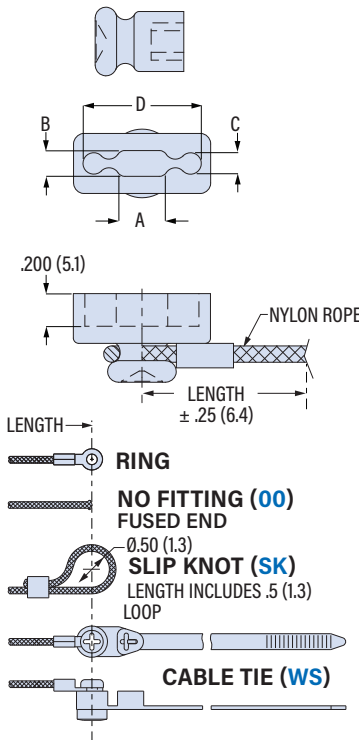


6/6 nylon cable tie with screw and locknut. 1.77 (45.0) max. wire bundle dia. -40 to +85 °C.

RING TERMINAL



Screw Size	Ring Code	Ring I.D. ±.010 (0.25) in	Ring I.D. mm
#4	-06	.125	3.2
#6	-09	.156	4.0
#8	-04	.197	5.0
#10	-07	.218	5.5



Layout	A		B		C		D	
	in	mm	in	mm	in	mm	in	mm
9P	.30	7.6	.15	3.8	.13	3.3	.69	17.5
9S	.37	9.4	.22	5.6	.13	3.3	.69	17.5
15P	.45	11.4	.15	3.8	.13	3.3	.84	21.3
15S	.52	13.2	.22	5.6	.13	3.3	.84	21.3
21P	.60	15.2	.15	3.8	.13	3.3	.99	25.1
21S	.67	17.0	.22	5.6	.13	3.3	.99	25.1
25P	.70	17.8	.15	3.8	.13	3.3	1.09	27.7
25S	.77	19.6	.22	5.6	.13	3.3	1.09	27.7
31P	.85	21.6	.15	3.8	.13	3.3	1.24	31.5
31S	.92	23.4	.22	5.6	.13	3.3	1.24	31.5
37P	1.00	25.4	.15	3.8	.13	3.3	1.39	35.3
37S	1.07	25.9	.22	5.6	.13	3.3	1.39	35.3
51-2P	1.35	34.3	.15	3.8	.13	3.3	1.74	44.2
51-2S	1.42	36.1	.22	5.6	.13	3.3	1.74	44.2
51P	.95	24.1	.19	4.8	.13	3.3	1.34	34.0
51S	1.02	25.9	.26	6.6	.13	3.3	1.34	34.0
69P	1.25	31.8	.19	4.8	.13	3.3	1.64	41.7
69S	1.32	33.5	.26	6.6	.13	3.3	1.64	41.7
100P	1.35	34.3	.24	6.1	.19	4.8	1.99	50.5
100S	1.41	35.8	.30	7.6	.19	4.8	1.99	50.5

MICRO-D ACCESSORIES