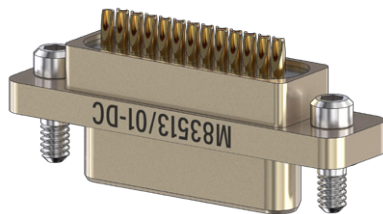


# Micro-D

## Mil-Spec Jackscrew Kits For M83513 and Micro-D Connectors

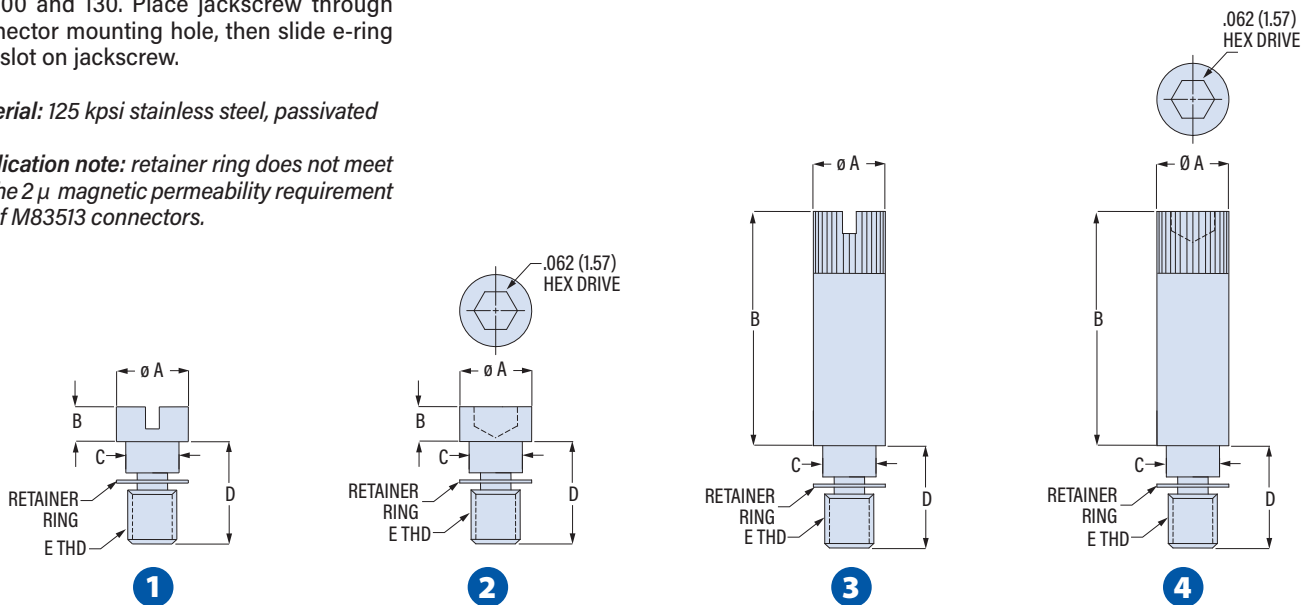
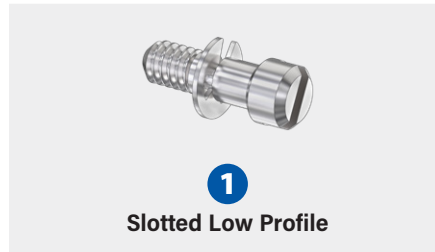
MICRO-D ACCESSORIES



Stainless steel Micro-D jackscrew kits conform to MIL-DTL-83513/05. Kit consists of (2) jackscrews and (2) retainer rings. Choose slotted head or socket head. Two thread sizes: 2-56 for size 9 to 69, 4-40 for sizes 79, 100 and 130. Place jackscrew through connector mounting hole, then slide e-ring into slot on jackscrew.

**Material:** 125 kpsi stainless steel, passivated

**Application note:** retainer ring does not meet the 2 μ magnetic permeability requirement of M83513 connectors.



### M83513/05 MICRO-D JACKSCREW KITS

Figure	Type	Thread Size	Connector Size	Part Number	M83513 PIN	ø A		B Max		C		D Max		E Thread UNC-2A
						in	mm	in	mm	in	mm	in	mm	
<b>1</b>	Slotted Low Profile	2-56	9-69	080-00-00-505	M83513/05-05	.125	3.2	.103	2.6	.083	2.1	.258	6.6	2-56
		4-40	75, 100, 130	080-00-00-515	M83513/05-15	.187	4.7	.098	2.5	.140	3.6	.292	7.4	4-40
<b>2</b>	Socket Head Low Profile	2-56	9-69	080-00-00-502	M83513/05-02	.125	3.2	.103	2.6	.083	2.1	.258	6.6	2-56
		4-40	75, 100, 130	080-00-00-512	M83513/05-12	.187	4.7	.098	2.5	.140	3.6	.292	7.4	4-40
<b>3</b>	Slotted Extended	2-56	9-69	080-00-00-506	M83513/05-06	.156	4.0	.610	15.5	.083	2.1	.258	6.6	2-56
		4-40	75, 100, 130	080-00-00-516	M83513/05-16	.200	5.1	.610	15.5	.140	3.6	.292	7.4	4-40
<b>4</b>	Socket Head Extended	2-56	9-69	080-00-00-503	M83513/05-03	.156	4.0	.610	15.5	.083	2.1	.258	6.6	2-56
		4-40	75, 100, 130	080-00-00-513	M83513/05-13	.200	5.1	.610	15.5	.140	3.6	.292	7.4	4-40