

Modular Rectangular (EPXB, BACC65, EN4165, SIM)

527-254

EMI Backshell, BACC65AA/AB, EPXB2

- Low Profile
- Band-Master ATS Shield Termination
- Saddle Clamp Strain Relief



527-254

This EMI banding backshell fits BACC65AA/AB and EPXB2 connectors

Backshell attaches to connector with slot drive M8 center screw. Cable shields attach to backshell with .24 inch (6.1 mm) wide Band-Master ATS® banding strap. Saddle clamps have full-radius bars and self-locking silver plated stainless steel clinch nuts. Aluminum with passivated stainless steel screws.

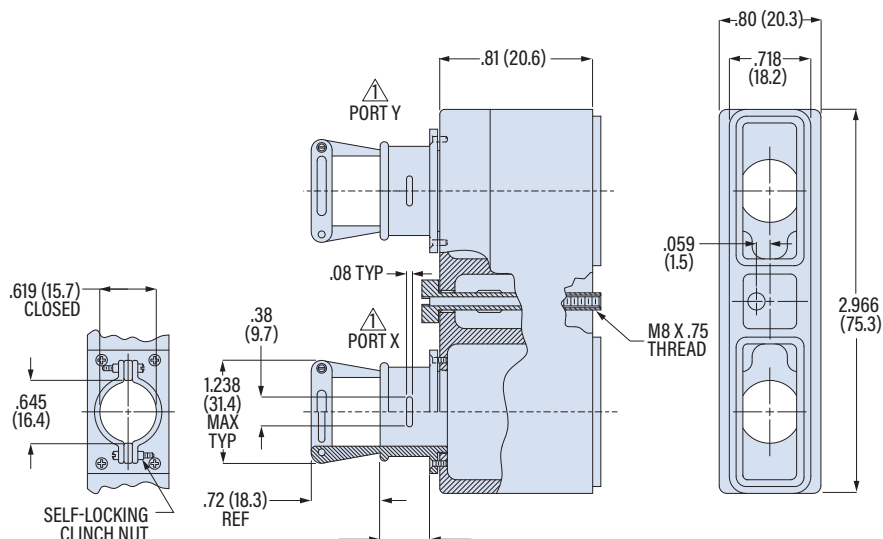
BAND OPTIONS

Terminate cable braid to backshell with optional band strap and banding tool. Pre-coiled bands are passivated stainless steel. Slim Standard bands have reduced thickness for weight reduction.



Band Type and Width	Hand Tool	Pneumatic Tool
Standard: .24 (6.1)	601-100	601-106
Slim Standard: .24 (6.1)	601-109	601-110

PART NUMBER	
Sample PN →	527-254 M S S B
Base P/N	527-254
Finish	M Electroless Nickel TZ Tin-Zinc NF Olive Drab Cadmium
Port X	S Straight
Port Y	S Straight
Band	Omit No Band K Standard Bands Included (qty. 2) J Slim Standard Bands Included (qty. 2)



MODULAR RECTANGULAR BACKSHELLS