

# Modular Rectangular (EPXB, BACC65, EN4165, SIM)

## 527-281

### EMI Banding Backshell, EPXB2, BACC65AA/AB

- Solid, 1.5" Can Height
- Band-Master ATS Shield Termination
- Qwik-Ty Strain Relief



### 527-281

This EMI banding backshell fits EPXB2 and BACC65AA/AB connectors

Low-profile. 1.5 inch (38.1mm) can height. Backshell attaches to connector with slotted drive center mounting screw. Cable shields attach to backshell with .24 inch (6.1 mm) wide Band-Master ATS® banding strap. Aluminum with passivated stainless steel hardware.

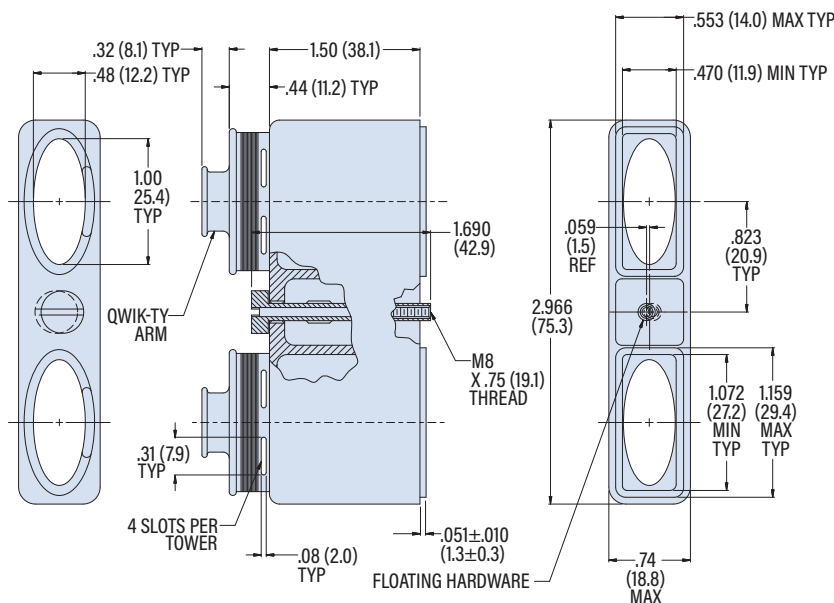
### BAND OPTIONS

Terminate cable braid to backshell with optional band strap and banding tool. Pre-coiled bands are passivated stainless steel. Slim Standard bands have reduced thickness for weight reduction.



Band Type and Width	Hand Tool	Pneumatic Tool
Standard: .24 (6.1)	601-100	601-106
Slim Standard: .24 (6.1)	601-109	601-110

PART NUMBER				
	Sample PN→	<b>527-281</b>	<b>M</b>	<b>K</b>
<b>Base P/N</b>	<b>527-281</b>			
<b>Finish</b>	<b>M</b>	Electroless Nickel		
<b>Band</b>	<i>Omit</i>	No Band		
	<b>K</b>	Standard Bands Included (qty. 2)		
	<b>J</b>	Slim Standard Bands Included (qty. 2)		
<b>Qwik-Ty</b>	<i>Omit</i>	Qwik-Ty Arms Included		
	<b>L</b>	Less Qwik-Ty Arms		



MODULAR RECTANGULAR BACKSHELLS