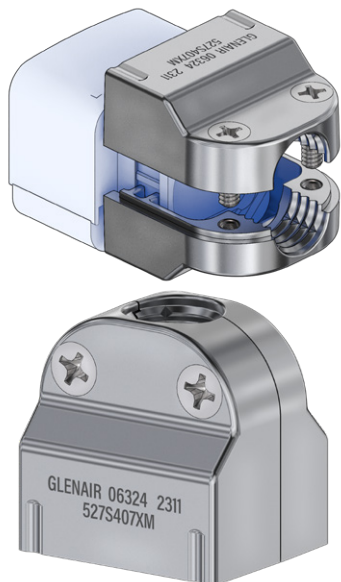


527-407

Clampshell, EN4165, BACC65BU/CA

■ Nickel-Plated Composite

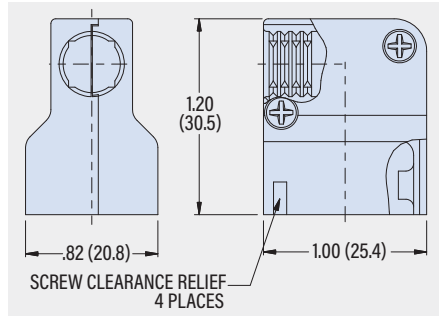


527-407

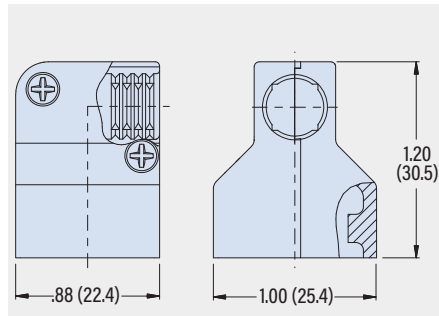
This clampshell fits EN4165 and BACC65BU/CA single-module connectors

Available in straight, 45° and 90° versions. Compression-type strain relief features anti-rotation detents. Nickel-plated composite thermoplastic with stainless steel screws.

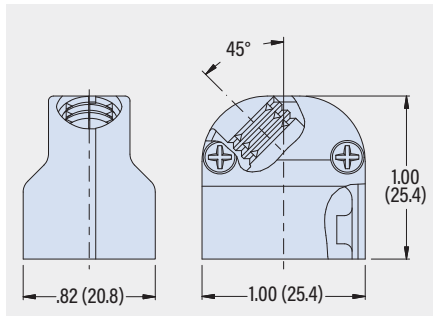
527A407XM (90° ENTRY)



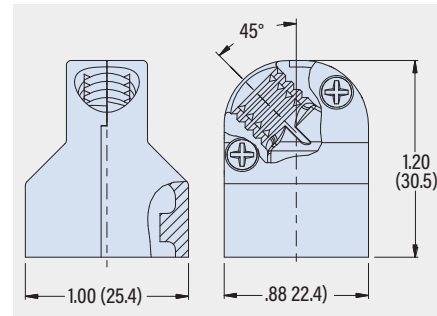
527C407XM (90° ENTRY)



527B407XM (45° ENTRY)

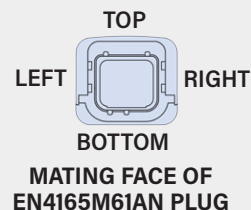


527D407XM (45° ENTRY)



PART NUMBER

Entry Style	Entry Location	Part No.
Straight	N/A	527S407XM
90°	Left or Right	527A407XM
	Top or Bottom	527C407XM
45°	Left or Right	527B407XM
	Top or Bottom	527D407XM



527S407XM (STRAIGHT ENTRY)

