

527-493

Clampshell, EN4165, Extended Length

- Nickel-Plated Composite
- For EN4165 Fiber Optic Modules



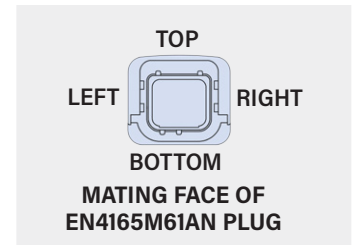
527-493

Extended-length clampshell fits EN4165 single-module fiber optic connectors

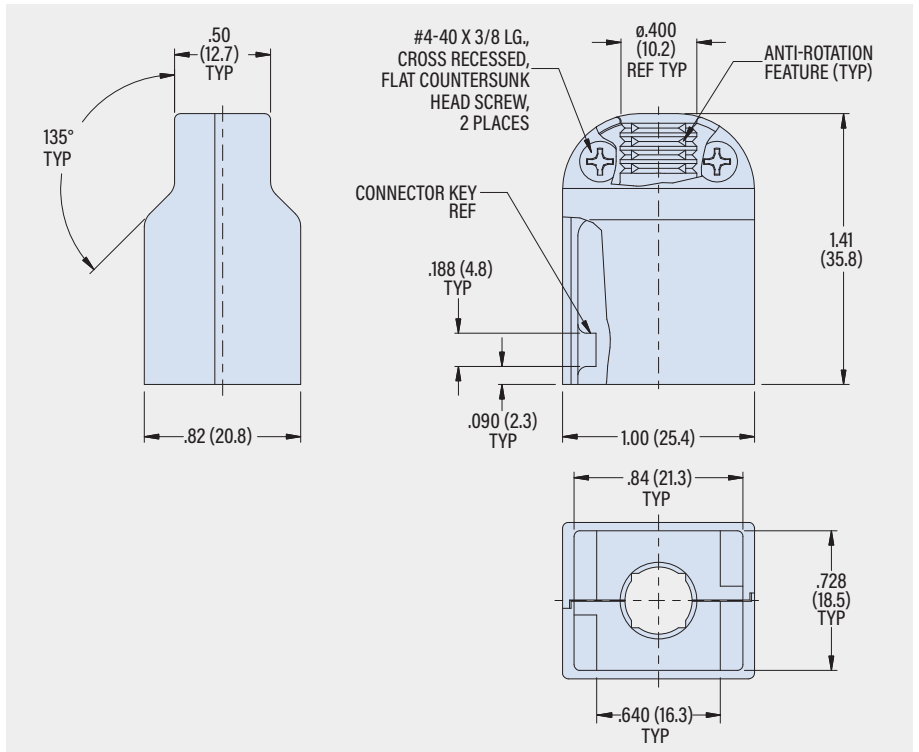
Available in straight, 45° and 90° versions. Compression-type strain relief features anti-rotation detents. Nickel-plated composite thermoplastic with stainless steel screws.

PART NUMBER

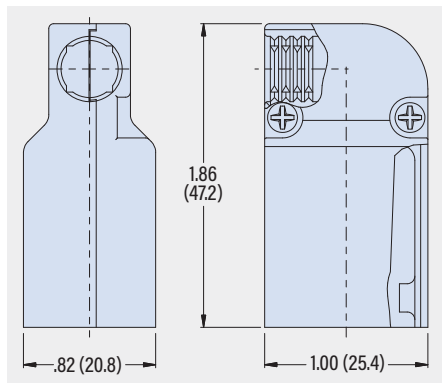
Entry Style	Entry Location	Part No.
Straight	N/A	527S493XM
90°	Left or Right	527A493XM
	Top or Bottom	527C493XM
45°	Left or Right	527B493XM
	Top or Bottom	527D493XM



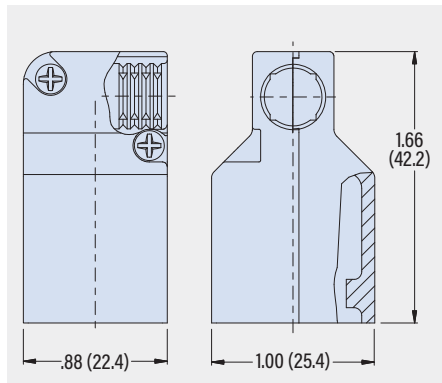
527S493XM (STRAIGHT ENTRY)



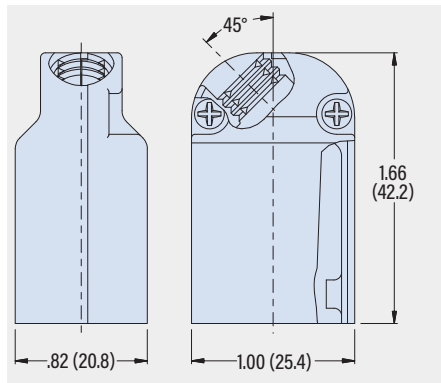
527A493XM (90° ENTRY)



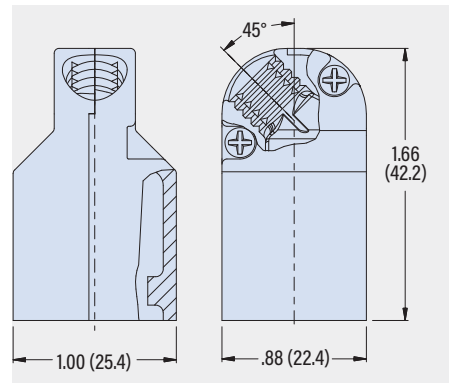
527C493XM (90° ENTRY)



527B493XM (45° ENTRY)



527D493XM (45° ENTRY)



MODULAR RECTANGULAR BACKSHELLS