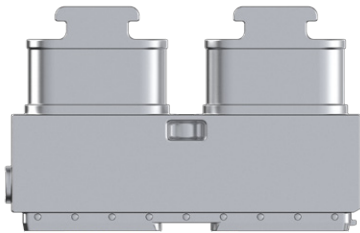


527-495

EMI Backshell, SIM AD 6

- Lightweight Composite
- Band-Master ATS Shield Termination
- Qwik-Ty Strain Relief

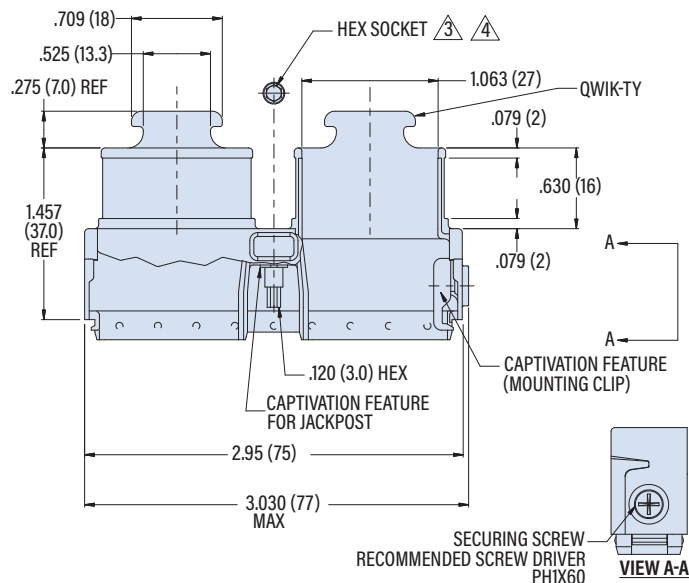
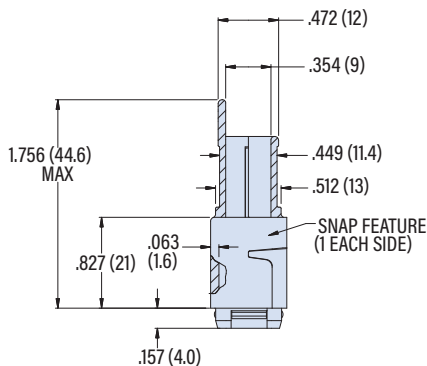


527-495

This split EMI banding backshell fits SIM AD 6 four-module connectors

Snap-together with elliptical cable entries to accommodate large wire bundles. Backshell attaches to connector with captivation clip and screw. Cable shields attach to backshell with .12 inch (3.0 mm) wide **Band-Master ATS**® banding strap. Composite thermoplastic with passivated stainless steel hardware and aluminum clip.

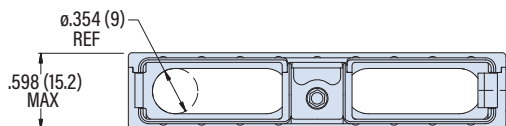
PART NUMBER	
Sample PN→	527-495 XM B
Base P/N	527-495
Finish	XM Electroless Nickel XW Olive Drab Cadmium
Bands	<i>Omit</i> No Band K Micro Band Included (qty. 2) J Micro Slim Band Included (qty. 2)
Hex Jackpost	<i>Omit</i> 3mm Hex Jackpost and Socket P 7/64 (2.78) Hex Jackpost and Socket L Omit Hex Jackpost and Socket
Qwik-Ty	<i>Omit</i> Qwik-Ty Arms Are Included L Less Qwik-Ty Arms



BAND OPTIONS

Terminate cable braid to backshell with optional band strap and banding tool. Pre-coiled bands are passivated stainless steel. Micro Slim bands have reduced thickness for weight reduction.

Band Type and Width	Hand Tool	Pneumatic Tool
Micro: .12 (3.0)	601-101	601-107
Micro Slim: .12 (3.0)	601-122	601-123



- ▲ STANDARD JACKPOST HAS .120 (3.00) HEX SOCKET, "P" JACKPOST HAS .109 (2.78) HEX SOCKET
- ▲ JACKPOST TO MEET EN4165 REQUIREMENTS

MODULAR RECTANGULAR BACKSHELLS