



527-531

EMI Banding Backshell, EPXB2

- Band-Master ATS Shield Termination
- Qwik-Ty Strain Relief

MODULAR RECTANGULAR BACKSHELLS

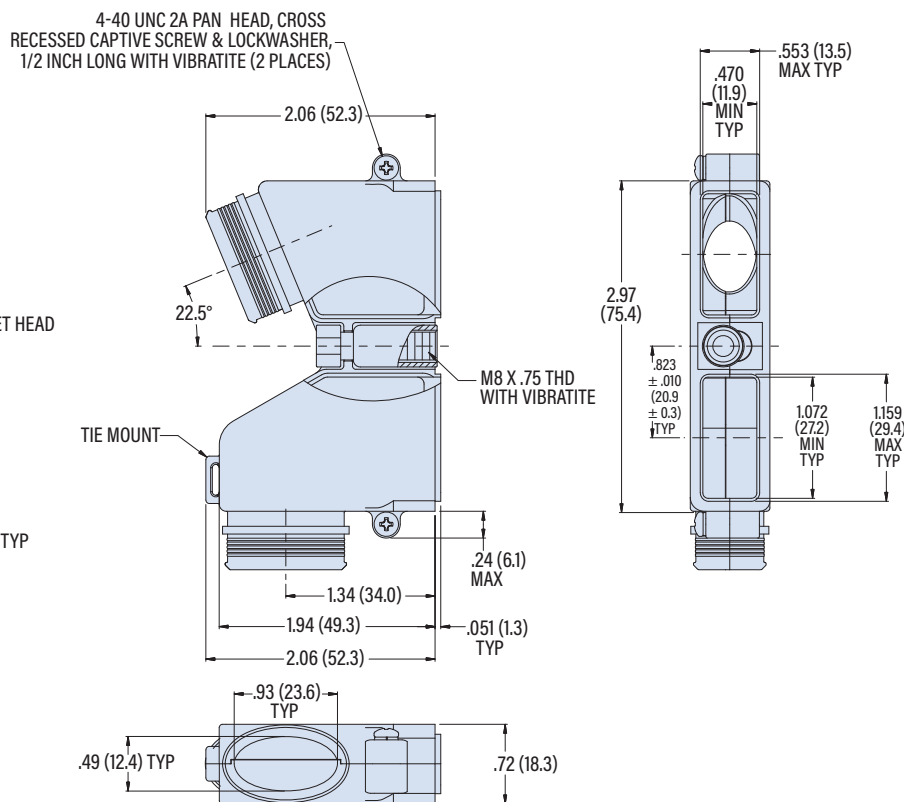
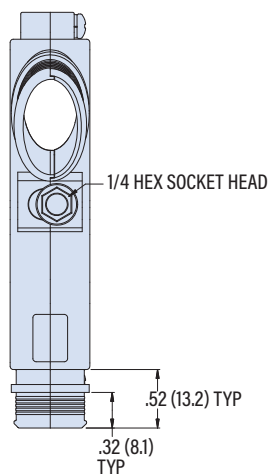


527-531

This split EMI banding backshell fits EPXB2 connectors

Elliptical cable entries accommodate large wire bundles. Backshell attaches to connector with M8 mounting screw. Cable shields attach to backshell with .12 inch (3.0 mm) wide *Band-Master ATS*® Micro band strap. Aluminum with passivated stainless steel hardware.

PART NUMBER	
Sample PN →	527-531 M B T
Base P/N	527-531
Finish	M Electroless Nickel MT Nickel-PTFE
Bands	Omit No Band K Micro Band Included (qty. 2) J Micro Slim Band Included (qty. 2) L Micro-Max Band Included (qty. 2)
Shrink Boots	Omit Boots Not Included T Boots Included (qty 2)



BAND OPTIONS

Terminate cable braid to backshell with optional band strap and banding tool. Pre-coiled bands are passivated stainless steel. Micro Slim bands have reduced thickness for weight reduction. Micro-Max bands are high-tension for lower-resistivity termination.

Band Type and Width	Hand Tool	Pneumatic Tool
Micro: .12 (3.0)	601-101	601-107
Micro Slim: .12 (3.0)	601-122	601-123
Micro-Max: .12 (3.0)	601-129	601-118