



## Micro-D Backshells and Accessories Standard Materials and Hardware

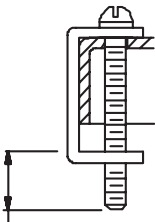
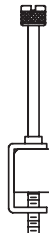
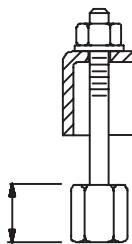
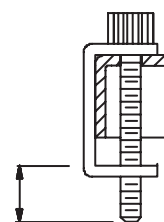
### BACKSHELL FINISH OPTIONS

Symbol	Finish	Specification
C	Black Anodize	AMS-A-8625, Type II, Class 2
E	Chem Film	MIL-DTL-5541, Class 3
J	Iridite, Gold Over Cadmium Plate Over Electroless Nickel	MIL-DTL-5541, Class 3 AMS-QQ-P-416, Type II, Class 3 over AMS-C-26074, Class 3 or 4, Grade B AMS-C-26074
M	Electroless Nickel	AMS-QQ-P-416, Type II, Class 3 over Electroless Nickel AMS-C-26074
NF	Cadmium, Olive Drab Over Electroless Nickel	ASTM-B488
Z2	Gold	

### STANDARD MATERIALS

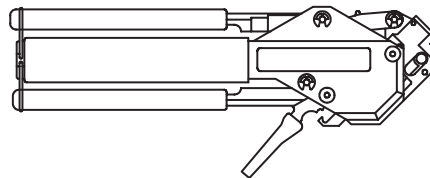
Component	Material
Machined Components	Aluminum Per QQ-A-200, 225 / ASTM B 211, 221
Die-Cast Components	Aluminum Per QQ-A-591 (A380)
Composite Backshells	High Grade Engineering Thermoplastic
Jackscrews, Clips, Bands	Stainless Steel 300 Series Per QQ-S-763, Passivated

### SOLID BACKSHELL HARDWARE OPTIONS

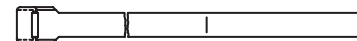
Style "B" Fillister Head Male Jackscrew	Style "E" Extended Jackscrew	Style "F" Female Jackpost	Style "H" Hex (Allen) Head Jackscrew
 <p>Sizes 9-51 - .154 (3.9) Size 100 - .184 (4.7)</p>	 <p>(Not Available With 45° Entry Backshell)</p>	 <p>.188 (4.8)</p>	 <p>Sizes 9-51 - .154 (3.9) Size 100 - .184 (4.7)</p>

### EMI BANDING ACCESSORIES

EMI backshells are designed for use with stainless steel shield termination bands. This banding system provides a fast, easy method of attaching cable braided shields to the backshell. See *Glennair's Backshell Assembly Tools, Banding Tools and Accessories Catalog* for complete product information.



**Hand Banding Tool**  
Part Number 600-061



Micro-Band Part Number	Length / Shape
600-057	8.25" / Flat
600-057-1	8.25" / Precoiled
600-083	14.25" / Flat
600-083-1	14.25" / Precoiled

Metric dimensions (mm) are indicated in parentheses.