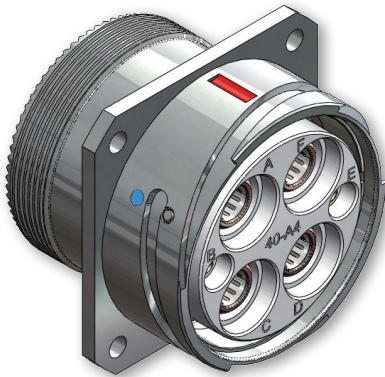




**Series 921 Super ITS™ Connectors and Accessories**  
**Wall Mounting Receptacles**  
**921-002 Wall Mounting Receptacle**  
**with Accessory Thread and Thru Holes**



**921-002 Wall Mounting Receptacle with Accessory Thread and Thru Holes**

Series 921 Super ITS™ extreme environment receptacle connectors are intended for high current applications where size 8 AWG to size 2/0 AWG wires are used. These connectors feature high ampacity LouverBand contacts. Quick mating bayonet coupling type. EMI protected with ground spring and splined backshell interface. Standard contacts are silver plated high conductivity copper alloy, or choose gold-plated signal (Size 16 and 12) contacts for improved corrosion protection in space or petrochemical environments. Silicone O-rings and wire seal provide watertight sealing. Contacts are packaged with connector.

C

**HOW TO ORDER**

**Sample Part Number**

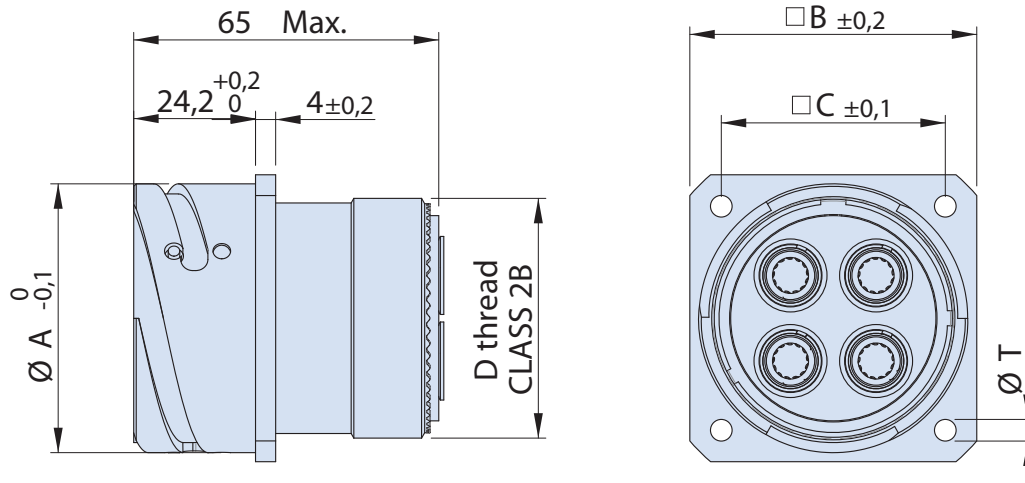
921-002 -		32-17					S1	MT	N
Series	Shell Size - Insert Arrangement						Contact Type and Plating	Shell Material and Finish	Key Position
921-002 Wall Mounting Receptacle with Accessory Thread and Thru Holes	Contact Arr.	Contact Size and Qty					<b>P1</b> Pin Contacts Silver Plated  <b>S1</b> Socket Contacts Silver Plated  <b>P2</b> Pin Contacts Gold Plated  <b>S2</b> Socket Contacts Gold Plated  <b>P0</b> Pin Connector, without Contacts  <b>S0</b> Socket Connector, without Contacts	<b>F6</b> Aluminum, Black Electrostatic Paint  <b>G3</b> Aluminum, Cadmium, Olive Drab  <b>MT</b> Aluminum, Nickel-PTFE  <b>M</b> Aluminum, Electroless Nickel  <b>G2</b> Aluminum, Anozide, Hardcoat  <b>Z1</b> Stainless Steel, Passivate  <b>AB</b> Marine Bronze, unplated	<b>N</b> Position 1  <b>X</b> Position 2  <b>Y</b> Position 3  <b>W</b> Position 4
		#16	#12	#8	#4	#1/0			
	See "CONTACT ARRANGEMENTS" Page B-1								

Series 921 Super ITS™ Connectors and Accessories  
 Wall Mounting Receptacles  
 921-002 Wall Mounting Receptacle  
 with Accessory Thread and Thru Holes



Wall Mounting  
 Receptacle  
 Connectors

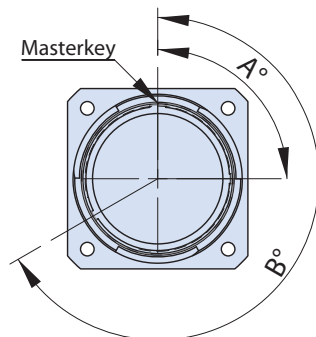
921-002 Wall Mounting Receptacle with Accessory Thread and Thru Holes



**DIMENSIONS**

Shell Size	$\varnothing A$ [mm]	B [mm]	C [mm]	Mounting Holes $\varnothing T$ [mm]	D Thread CLASS 2B	Interface Designator	Dash No. (*)
24	40.9	44.5	34.9	4.75	1 3/8 - 18 UNEF	B	21
28	46.7	50.9	39.7	4.75	1 5/8 - 18 UNEF	B	22
32	53.4	57.0	44.45	5.40	1 7/8 - 16 UN	B	23
40	65.5	69.9	55.55	5.40	2 5/16 - 16 UN	B	33

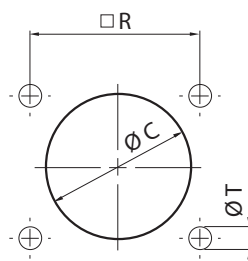
(\*) please refer to **Circular Connector Backshell and Accessories** Glenair catalogue on page n.19



**KEY POSITIONS**

Position	A°	B°
1	90	240
2	135	225
3	150	210
4	120	270

**PANEL CUTOUT**



Shell Size	FRONT PANEL MOUNTING			REAR PANEL MOUNTING		
	$\varnothing C$ [mm]	R [mm]	$\varnothing T$ [mm]	$\varnothing C$ [mm]	R [mm]	$\varnothing T$ [mm]
24	36.0	34.9	3.9	41.8	34.9	4.5
28	42.0	39.7	3.9	47.6	39.7	5.5
32	48.5	44.5	4.5	54.3	44.5	5.5
40	61.0	55.5	4.5	66.4	55.5	5.5