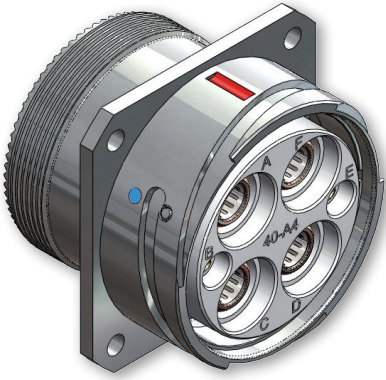




Series 921 Super ITS™ Connectors and Accessories
Wall Mounting Receptacles
921-003 Wall Mounting Receptacle
with Accessory Thread and Clinch Nuts

921-003 Wall Mounting Receptacle with Accessory Thread and Clinch Nuts



921-003 receptacles, have threaded holes to fix the square flange on the panel.



HOW TO ORDER

Sample Part Number

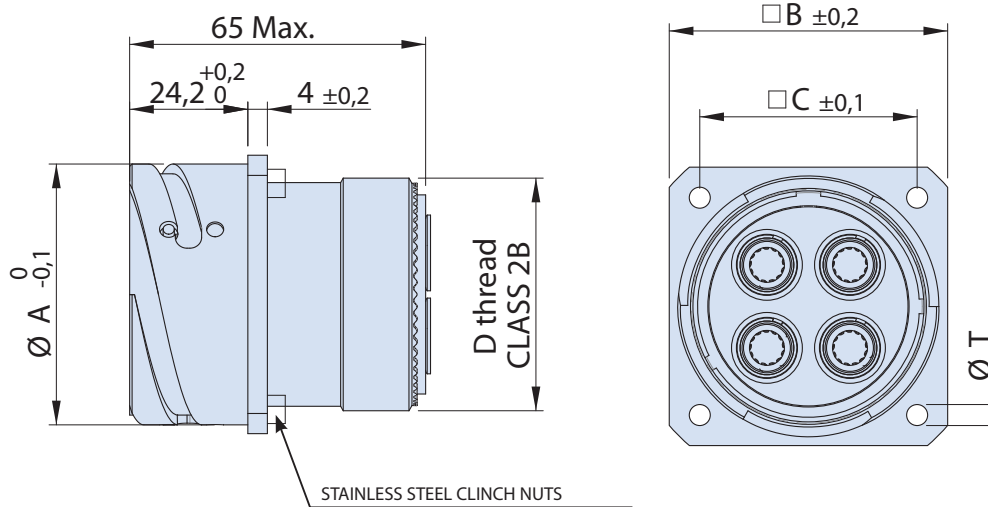
921-003 -	32-17	S1	MT	N													
Series	Shell Size - Insert Arrangement	Contact Type and Plating	Shell Material and Finish	Key Position													
921-003 Wall Mounting Receptacle with Accessory Thread and Clinch Nuts	<table border="1" style="margin: auto; border-collapse: collapse;"> <tr> <th style="font-size: small;">Contact Arr.</th> <th colspan="6" style="font-size: small;">Contact Size and Qty</th> </tr> <tr> <th style="font-size: x-small;">#16</th> <th style="font-size: x-small;">#12</th> <th style="font-size: x-small;">#8</th> <th style="font-size: x-small;">#4</th> <th style="font-size: x-small;">#1/0</th> <th style="font-size: x-small;">#2/0</th> </tr> </table>	Contact Arr.	Contact Size and Qty						#16	#12	#8	#4	#1/0	#2/0	<p style="text-align: center; font-weight: bold; color: #0070c0;">P1</p> Pin Contacts Silver Plated	<p style="text-align: center; font-weight: bold; color: #0070c0;">F6</p> Aluminum, Black Electrostatic Paint	<p style="text-align: center; font-weight: bold; color: #0070c0;">N</p> Position 1
	Contact Arr.	Contact Size and Qty															
#16	#12	#8	#4	#1/0	#2/0												
See "CONTACT ARRANGEMENTS" Page B-1	<p style="text-align: center; font-weight: bold; color: #0070c0;">S1</p> Socket Contacts Silver Plated	<p style="text-align: center; font-weight: bold; color: #0070c0;">G3</p> Aluminum, Cadmium, Olive Drab	<p style="text-align: center; font-weight: bold; color: #0070c0;">X</p> Position 2														
		<p style="text-align: center; font-weight: bold; color: #0070c0;">P2</p> Pin Contacts Gold Plated	<p style="text-align: center; font-weight: bold; color: #0070c0;">MT</p> Aluminum, Nickel-PTFE	<p style="text-align: center; font-weight: bold; color: #0070c0;">Y</p> Position 3													
		<p style="text-align: center; font-weight: bold; color: #0070c0;">S2</p> Socket Contacts Gold Plated	<p style="text-align: center; font-weight: bold; color: #0070c0;">M</p> Aluminum, Electroless Nickel	<p style="text-align: center; font-weight: bold; color: #0070c0;">W</p> Position 4													
		<p style="text-align: center; font-weight: bold; color: #0070c0;">P0</p> Pin Connector, without Contacts	<p style="text-align: center; font-weight: bold; color: #0070c0;">G2</p> Aluminum, Anozide, Hardcoat														
		<p style="text-align: center; font-weight: bold; color: #0070c0;">S0</p> Socket Connector, without Contacts	<p style="text-align: center; font-weight: bold; color: #0070c0;">Z1</p> Stainless Steel, Passivate														
			<p style="text-align: center; font-weight: bold; color: #0070c0;">AB</p> Marine Bronze, unplated														

Series 921 Super ITS™ Connectors and Accessories
Wall Mounting Receptacles
 921-003 Wall Mounting Receptacle
 with Accessory Thread and Clinch Nuts



Wall Mounting
 Receptacle
 Connectors

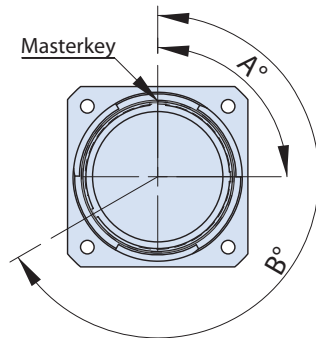
921-003 Wall Mounting Receptacle with Accessory Thread and Clinch Nuts



DIMENSIONS

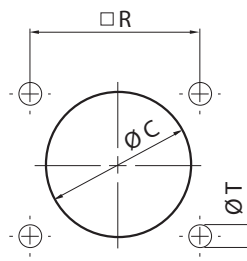
Shell Size	ØA [mm]	B [mm]	C [mm]	Clinch Nut Thread ØT	D Thread CLASS 2B	Interface Designator	Dash No. (*)
24	40.9	44.5	34.9	6-32 UNC-2B	1 3/8 - 18 UNEF	B	21
28	46.7	50.9	39.7	6-32 UNC-2B	1 5/8 - 18 UNEF	B	22
32	53.4	57.0	44.45	8-32 UNC-2B	1 7/8 - 16 UN	B	23
40	65.5	69.9	55.55	8-32 UNC-2B	2 5/16 - 16 UN	B	33

(*) please refer to **Circular Connector Backshell and Accessories** Glenair catalogue on page n.19



KEY POSITIONS

Position	A°	B°
1	90	240
2	135	225
3	150	210
4	120	270



PANEL CUTOUT

Shell Size	REAR PANEL MOUNTING		
	ØC [mm]	R [mm]	ØT [mm]
24	41.8	34.9	4.5
28	47.6	39.7	5.5
32	54.3	44.5	5.5
40	66.4	55.5	5.5